

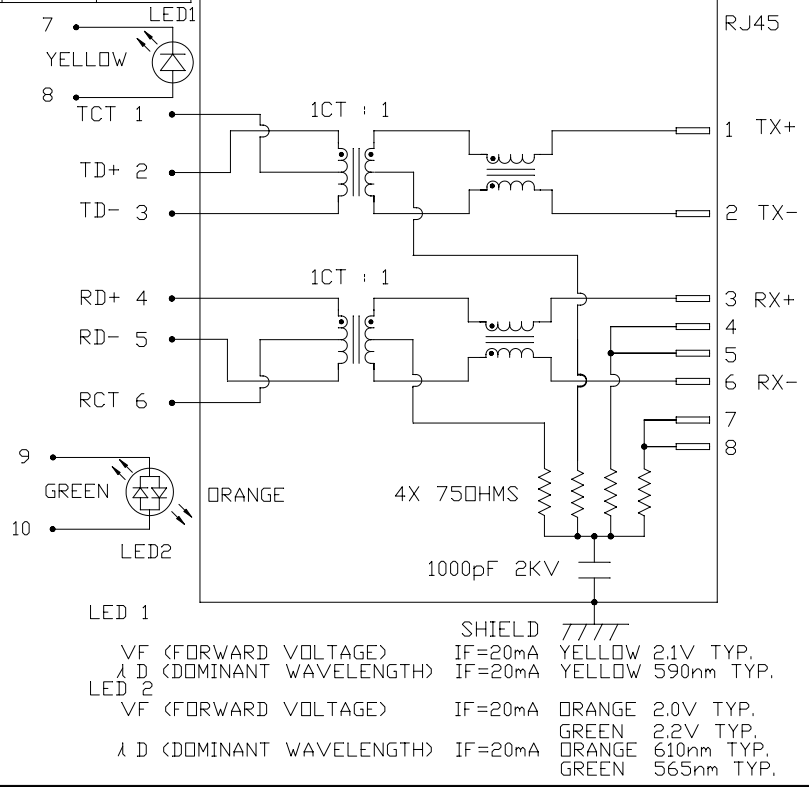
THE INFORMATION CONTAINED HEREIN IS CONSIDERED 'PROPRIETARY' TO BEL FUSE INC. AND SHALL NOT BE COPIED, REPRODUCED OR DISCLOSED WITHOUT THE WRITTEN APPROVAL OF BEL FUSE INC.

LED1 POLARITY			LED2 POLARITY		
PIN 7	PIN 8	COLOR	PIN 9	PIN 10	COLOR
-	+	YELLOW	+	-	ORANGE
/	/	/	-	+	GREEN



**ELECTRICAL CHARACTERISTICS @ 25°C**

<b>TRANS RATIO</b> TX RX <b>DCL @ 100kHz/100mVRMS</b> 8mA DC BIAS <b>INS. LOSS</b> 1MHz TO 100MHz <b>RET. LOSS (MIN)</b> 1MHz-30MHz 30MHz-60MHz 60MHz-80MHz <b>CROSS TALK (TX - RX)</b> 500kHz-1MHz 10 MHz 30 MHz 50 MHz 100 MHz <b>CM TO CM REJ</b> 100kHz-1MHz 10 MHz 30 MHz 60 MHz 100 MHz <b>CM TO DM REJ</b> 100kHz-1MHz 10 MHz 30 MHz 60 MHz 100 MHz <b>HIPOT (Isolation Voltage):</b> 100% OF PRODUCTION TESTED TO COMPLY WITH IEEE 802.3 ISOLATION REQUIREMENTS. <b>OPERATING TEMPERATURE:</b>	1CT : 1 1CT : 1 350µH MIN. -10 dB MAX -18 dB -18+20LOG(F/30MHz) dB -12 dB -70 dB MIN -50 dB MIN -45 dB MIN -40 dB MIN -35 dB MIN -70 dB MIN -47 dB MIN -50 dB MIN -45 dB MIN -40 dB MIN -70 dB MIN -60 dB MIN -50 dB MIN -45 dB MIN -40 dB MIN 1500 Vrms -40°C TO 85°C
--	---



<b>ORIGINATED BY</b> CHOW WANCHUNG	<b>DATE</b> 03-11-08	<b>TITLE</b> MagJack © (4 Cores, MDIX, CM Termination Ext. Temp)	<b>PART NO. / DRAWING NO.</b> 08B01X1T36-F	<b>STANDARD DIM.</b> TOL. IN INCH	<b>[ ] METRIC DIM. AS REFERENCE</b>	 <b>COMPONENTS</b> <b>CONNECTIONS</b> <b>PLANNING</b>
<b>DRAWN BY</b> DENG PING	<b>DATE</b> 03-11-08	<b>FILE NAME</b> 08B0-1X1T-36-F	<b>FILE NAME</b> 08B01X1T36-F_B.DWG	.X .XX .XXX	UNIT : INCH [mm] SCALE : N/A REV. : B SIZE : A4 PAGE : 2	

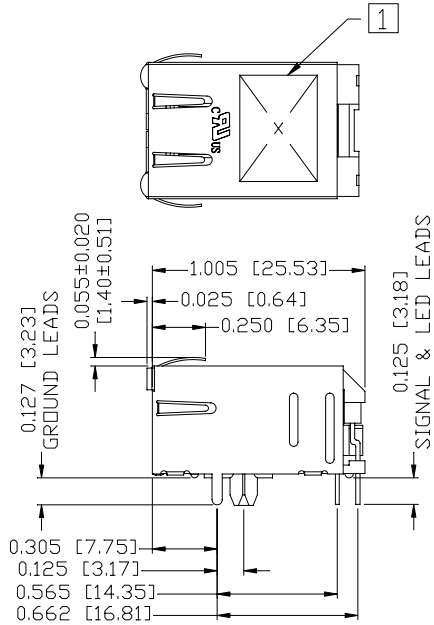
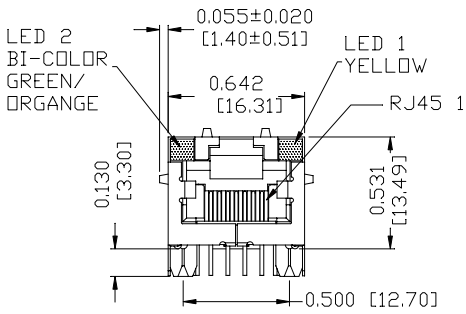
DC002(2)032305

This document is electronically generated. This is a controlled copy if used internally

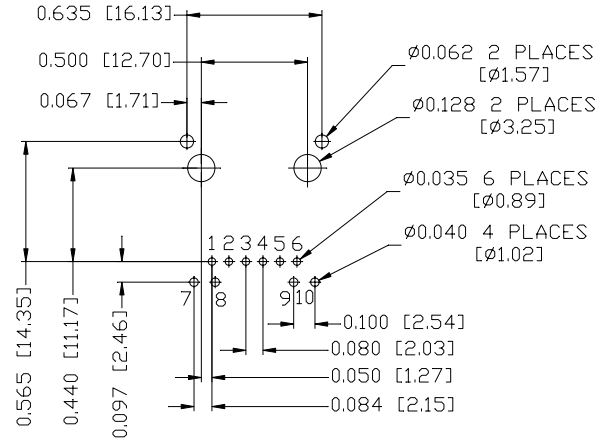
THE INFORMATION CONTAINED HEREIN IS CONSIDERED "PROPRIETARY" TO BEL FUSE INC. AND SHALL NOT BE COPIED, REPRODUCED OR DISCLOSED WITHOUT THE WRITTEN APPROVAL OF BEL FUSE INC.



MECHANICAL SPECIFICATION



RECOMMENDED PCB FOOTPRINT COMPONENT SIDE VIEW



- NOTES:
- PLASTIC HOUSING: THERMOPLASTIC PBT  
FLAMMABILITY RATING UL 94V-0
  - CONTACTS PLATING: 15 MICRO-INCH HARD GOLD PLATING
  - PINS: TIN-COATED COPPER WIRE, DIA 0.018 INCH.
  - METAL SHIELD: PRE-PLATED NICKEL ON COPPER ALLOY.  
(ALL GROUNDLEADS ARE SOLDER DIPPED)
  - 1 MARK PART WITH MFG LOGO, MFG NAME, PART NUMBER, AND DATE CODE.
  - UL US UL RECOGNIZED - FILE #E196366 AND E169987.
  - 2. RoHS COMPLIANCE, PER EU DIRECTIVE 2002/95/EC.

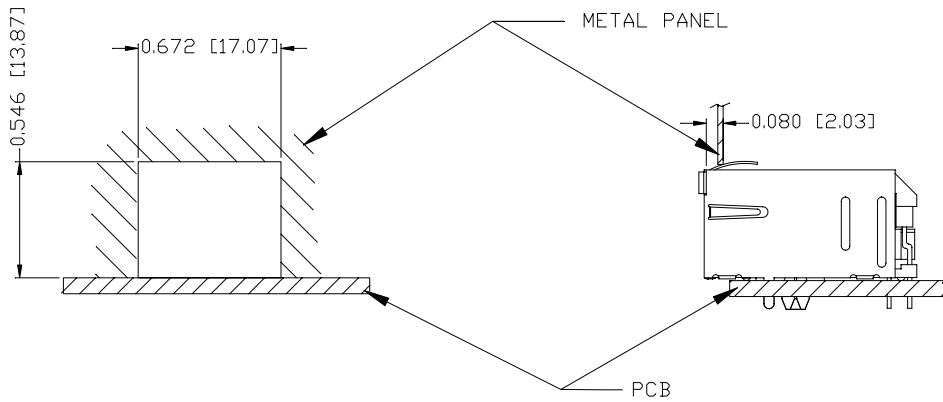
ORIGINATED BY CHEN BILL	DATE 03-11-08	TITLE MagJack® (4 Cores, MDIX, CM Termination EXT. Temp ) 08B0-1X1T-36-F	PART NO. / DRAWING NO. 08B01X1T36-F	STANDARD DIM. TOL. IN INCH .X .XX .XXX ±0.010	[ ] METRIC DIM. AS REFERENCE UNIT : INCH [mm] SCALE : N/A	REV. : B SIZE : A4 PAGE : 3	
DRAWN BY WEI SHADYI	DATE 03-11-08	FILE NAME 08B01X1T36-F_B.DWG					

DC002(2)032305 This document is electronically generated. This is a controlled copy if used internally

THE INFORMATION CONTAINED HEREIN IS CONSIDERED "PROPRIETARY" TO BEL FUSE INC. AND SHALL NOT BE COPIED, REPRODUCED OR DISCLOSED WITHOUT THE WRITTEN APPROVAL OF BEL FUSE INC.



SUGGESTED PANEL OPENING



NOTE:

THE DISTANCE OF PANEL INSIDE SURFACE RELATIVE TO FRONT SURFACE OF PART IS ONLY A SUGGESTION. IN CASE THIS DISTANCE IS DIFFERENT, THE REQUIRED PANEL OPENING DIMENSIONS CHANGE ACCORDINGLY.

PACKING INFORMATION

PACKING TRAY : 0200-9999-D4(TOP)  
0200-9999-D5(BOTTOM)

PACKING QUANTITY : 60 PCS FINISHED GOODS PER TRAY  
11 TRAYS (660 PCS FINISHED GOODS) PER CARTON BOX

NOTE : CARDBOARDS ARE PLACED BETWEEN LAYERS OF PACKING TRAY INSIDE CARTON BOX  
(INCLUDE THE UPPERMOST AND LOWERMOST TRAY)

ORIGINATED BY CHEN BILL	DATE 03-11-08	TITLE MagJack® (4 Cores, MDIX, CM Termination Ext. Temp )	PART NO. / DRAWING NO. 08B01X1T36-F	STANDARD DIM. TOL. IN INCH	[ ] METRIC DIM. AS REFERENCE UNIT : INCH [mm]	REV. : B	 <small>COMPONENTS PLANT</small>
DRAWN BY WEI SHAOYI	DATE 03-11-08	FILE NAME 08B01X1T36-F_B.DWG		.X .XX XXX ±0.004	SCALE : N/A	SIZE : A4	
						PAGE : 4	

DC002(2)032305 This document is electronically generated. This is a controlled copy if used internally