

THE INFORMATION CONTAINED HEREIN IS CONSIDERED "PROPRIETARY" TO BEL FUSE INC. AND SHALL NOT BE COPIED, REPRODUCED OR DISCLOSED WITHOUT THE WRITTEN APPROVAL OF BEL FUSE INC.

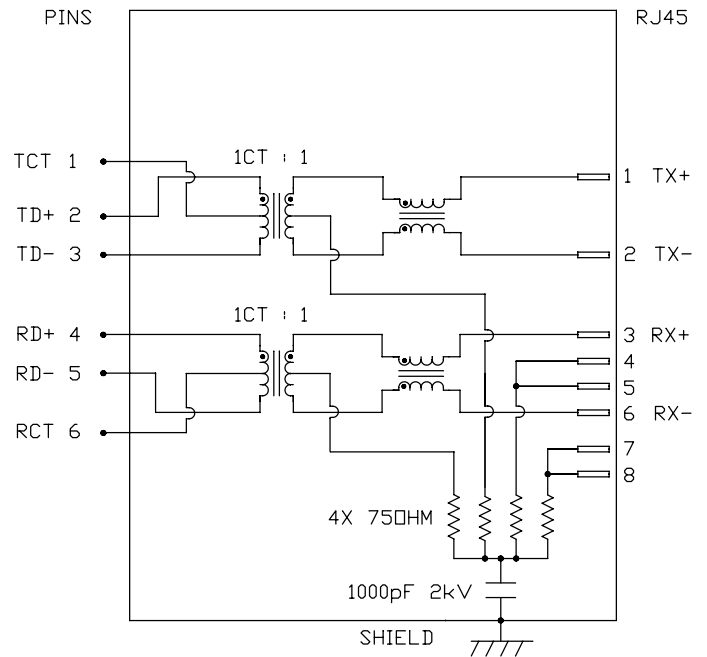
RoHS
2002/95/EC



ELECTRICAL CHARACTERISTICS @ 25°C

TURNS RATIO	
TX	1CT : 1
RX	1CT : 1
OCL @ 100kHz/100mVRMS 8mA DC BIAS	
	350µH MIN.
INS. LOSS	
1MHz TO 100MHz	-1.0 dB MAX
RET. LOSS (MIN)	
1MHz-30MHz	-18 dB
30MHz-60MHz	-18+20LOG(F/30MHz) dB
60MHz-80MHz	-12 dB
CROSS TALK (TX - RX)	
500kHz-100MHz	-35 dB MIN
CM TO CM REJ	
100kHz-100MHz	-30 dB MIN
CM TO DM REJ	
100kHz-100MHz	-40 dB MIN
HIPDT (Isolation Voltage):	
	1500 Vrms
100% OF PRODUCTION TESTED TO COMPLY WITH IEEE 802.3 ISOLATION REQUIREMENT	
OPERATING TEMPERATURE: -40°C TO 85°C	

SCHEMATIC

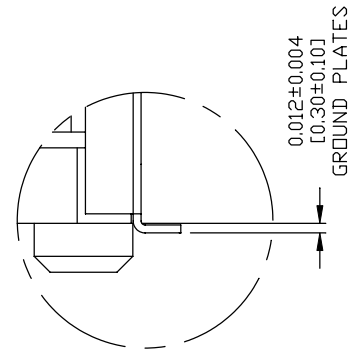
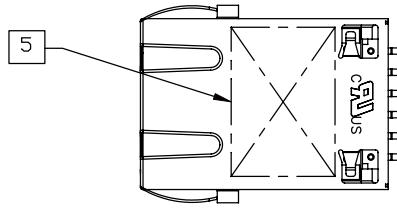


ORIGINATED BY CHOW WANGCHUNG	DATE 03-25-09	TITLE MagJack® 4 CORE, WITH CM TERM Extended temperature S811-1X1T-36-F	PART NO. / DRAWING NO. S811X1T36-F	STANDARD DIM. TOL. IN INCH	[] METRIC DIM. AS REFERENCE	bel COMPONENTS FOR A CONNECTED PLANT
DRAWN BY LI YONGFENG	DATE 03-25-09		FILE NAME S811X1T36-F_B.DWG	.X .XX .XXX	UNIT : INCH [mm] SCALE : N/A REV. : B SIZE : A4 PAGE : 2	

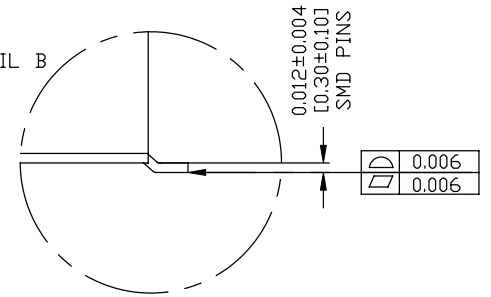
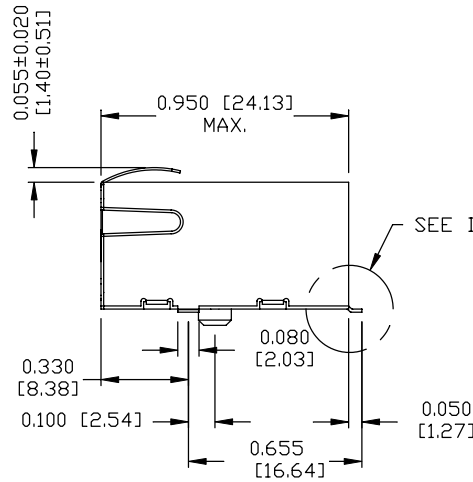
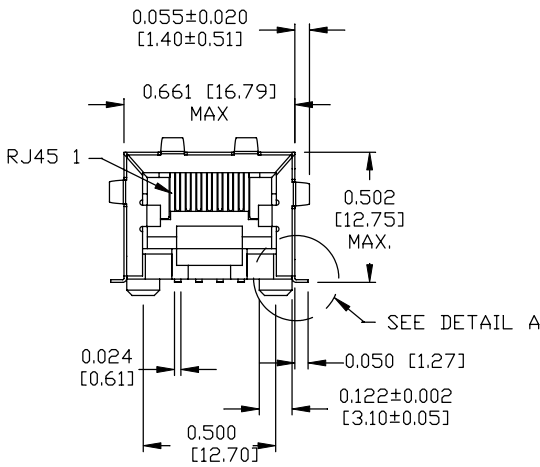
DC002(2)032305

This document is electronically generated. This is a controlled copy if used internally

THE INFORMATION CONTAINED HEREIN IS CONSIDERED "PROPRIETARY" TO BEL FUSE INC. AND SHALL NOT BE COPIED, REPRODUCED OR DISCLOSED WITHOUT THE WRITTEN APPROVAL OF BEL FUSE INC.



DETAIL A
SCALE 3:1



DETAIL B
SCALE 3:1

ORIGINATED BY LIU QIN	DATE 03-25-09	TITLE MagJack® 4 CORE, WITH CM TERM Extended temperature S811-1X1T-36-F	PART NO. / DRAWING NO. S811X1T36-F	STANDARD DIM. TOL. IN INCH	[] METRIC DIM. AS REFERENCE	REV. : B SIZE : A4 PAGE : 3	 COMPONENTS CONSTRUCTED IN CHINA
DRAWN BY XIAN JIAXIN	DATE 03-25-09		FILE NAME S811X1T36-F_B.DWG	.X .XX .XXX ±0.010	UNIT : INCH [mm] SCALE : N/A		

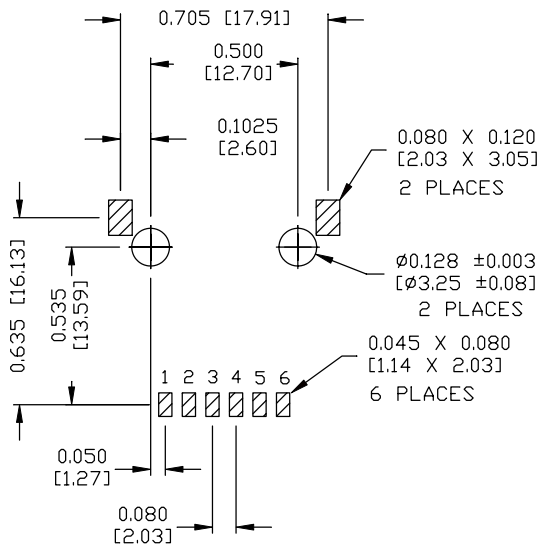
DC002(2)032305

This document is electronically generated. This is a controlled copy if used internally

THE INFORMATION CONTAINED HEREIN IS CONSIDERED "PROPRIETARY" TO BEL FUSE INC. AND SHALL NOT BE COPIED, REPRODUCED OR DISCLOSED WITHOUT THE WRITTEN APPROVAL OF BEL FUSE INC.



RECOMMENDED PCB FOOTPRINT
COMPONENT SIDE VIEW



NOTES:

1. PLASTIC HOUSING: THERMOPLASTIC PA & THERMOSET PHENOLIC. FLAMMABILITY RATING UL 94V-0
 2. CONTACTS PLATING: 50 MICRO-INCH HARD GOLD PLATING
 3. PINS: TIN-COATED COPPER WIRE, 0.024 [0.6] X 0.012 [0.3] THK,
 4. METAL SHIELD: NICKEL PLATED ON COPPER ALLOY.
5. MARK PART WITH MFG. LOGO, MFG. NAME, PART NUMBER, AND DATE CODE.
RoHS COMPLIANT, PER EU DIRECTIVE 2002/95/EC.
- UL** USUL RECOGNIZED - FILE #E196366 AND E169987.
JACK CAVITY CONFORMS TO FCC RULES AND REGULATIONS.

ORIGINATED BY LIU QIN	DATE 03-25-09	TITLE MagJack® 4 CORE, WITH CM TERM Extended temperature S811-1X1T-36-F	PART NO. / DRAWING NO. S811X1T36-F	STANDARD DIM. TOL. IN INCH	[] METRIC DIM. AS REFERENCE	 COMPONENTS FOR A CONNECTED PLANT										
DRAWN BY XIAN JIAXIN	DATE 03-25-09		FILE NAME S811X1T36-F_B.DWG	<table border="1"> <tr><td>.X</td><td></td></tr> <tr><td>.XX</td><td></td></tr> <tr><td>.XXX</td><td>±0.004</td></tr> </table>	.X			.XX		.XXX	±0.004	<table border="1"> <tr><td>UNIT : INCH [mm]</td><td>REV. : B</td></tr> <tr><td>SCALE : N/A</td><td>SIZE : A4</td></tr> <tr><td>PAGE : 4</td><td></td></tr> </table>	UNIT : INCH [mm]	REV. : B	SCALE : N/A	SIZE : A4
.X																
.XX																
.XXX	±0.004															
UNIT : INCH [mm]	REV. : B															
SCALE : N/A	SIZE : A4															
PAGE : 4																

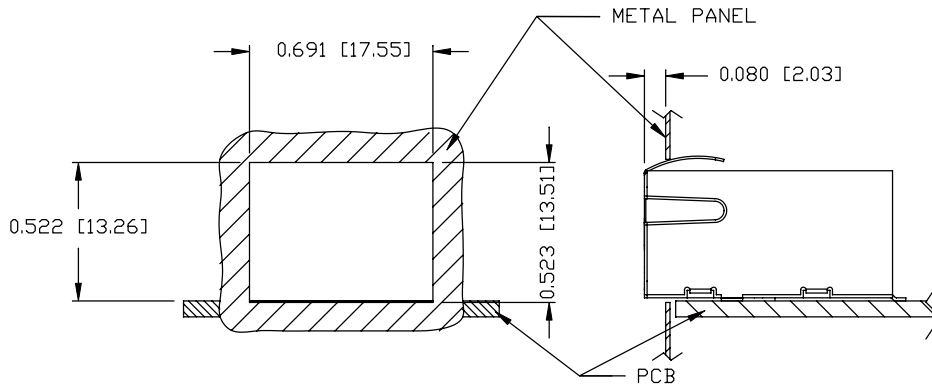
DC002(2)032305

This document is electronically generated. This is a controlled copy if used internally

THE INFORMATION CONTAINED HEREIN IS CONSIDERED "PROPRIETARY" TO BEL FUSE INC. AND SHALL NOT BE COPIED, REPRODUCED OR DISCLOSED WITHOUT THE WRITTEN APPROVAL OF BEL FUSE INC.



SUGGESTED PANEL OPENING



NOTES:

THE DISTANCE OF PANEL INSIDE SURFACE RELATIVE TO FRONT SURFACE OF PART IS ONLY A SUGGESTION.

IN CASE THIS DISTANCE IS DIFFERENT, THE REQUIRED PANEL OPENING DIMENSIONS CHANGE ACCORDINGLY.

ORIGINATED BY	DATE	TITLE MagJack® 4 CORE, WITH CM TERM Extended temperature S811-1X1T-36-F	PART NO. / DRAWING NO.	STANDARD DIM.	[] METRIC DIM. AS REFERENCE
LIU QIN	03-25-09		S811X1T36-F	TOL. IN INCH	UNIT : INCH [mm]
DRAWN BY	DATE	FILE NAME S811X1T36-F_B.DWG	.X	/	SCALE : N/A
XIAN JIAXIN	03-25-09		.XX	/	SIZE : A4
			.XXX	±0.004	PAGE : 5



DC002(2)032305

This document is electronically generated. This is a controlled copy if used internally