

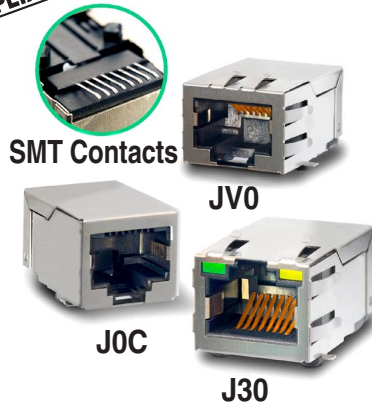
PULSEJACK™

Surface Mount 1x1



Description:

10/100Base-TX surface mount RJ45 single port (1x1) Tab-UP/DOWN with or without LEDs Integrated Magnetics Connector, designed to support applications such as: Set Top Box and Network Interface Cards (NIC).



Features and Benefits:

- Ⓜ RoHS peak reflow temperature rating 245°C
- Ⓜ JOC SMT product, reduced size and low cost alternative to JV series

Electrical Performance Summary:

- Ⓜ Meets IEEE 802.3 specification
- Ⓜ High performance for maximum EMI suppression
- Ⓜ Minimum 1500Vrms isolation per IEEE 802.3 requirement

Electrical Specifications @ 25°C — Operating Temperature 0°C to +70°C

| RoHS Compliant Part No. | Turns Ratios | | Tab Option Up/Down | LEDs' L/R | BST Circuit | EMI Finger | Insertion Loss (db MAX) | | Return Loss (dB MIN) 100Ω (±15Ω) | | | | Crosstalk (db MIN) | | | Common Mode Rejection (dB MIN) | | Hipot (Vrms MIN) |
|--------------------------|--------------|-------|--------------------|-----------|-------------|------------|-------------------------|----------|----------------------------------|-----------|----------|-----------|--------------------|----------|------------|--------------------------------|--|------------------|
| | TX | RX | | | | | 1-65 MHz | 1-10 MHz | 30 MHz | 60-80 MHz | 1-10 MHz | 30-60 MHz | 60-100 MHz | 1-50 MHz | 50-130 MHz | @ 60 Hz 1 MIN | | |
| JOC-0003NL | 1CT:1 | 1CT:1 | Down | No | No | No | -1.0 | -18 | -14 | -10 | -35 | -35 | -30 | -20 | -20 | 1500 | | |
| JOC-0004NL | 1CT:1 | 1CT:1 | Down | No | No | Yes | -1.0 | -18 | -14 | -10 | -35 | -35 | -30 | -20 | -20 | 1500 | | |
| JOC-0005NL | 1CT:1 | 1CT:1 | Down | No | Yes | No | -1.0 | -18 | -14 | -10 | -35 | -35 | -30 | -20 | -20 | 1500 | | |
| JOC-0006NL | 1CT:1 | 1CT:1 | Down | No | Yes | Yes | -1.0 | -18 | -14 | -10 | -35 | -35 | -30 | -20 | -20 | 1500 | | |
| JV006I21NL | 1CT:1 | 1CT:1 | Down | No | No | Yes | -1.0 | -20 | -16 | -12 | -40 | -35 | -30 | -30 | -20 | 1500 | | |
| JV011I21NL | 1CT:1 | 1CT:1 | Down | No | Yes | Yes | -1.0 | -20 | -16 | -12 | -40 | -35 | -30 | -30 | -20 | 1500 | | |
| JV026I21NL | 1CTS:1 | 1CT:1 | Down | No | Yes | Yes | -1.0 | -20 | -16 | -12 | -40 | -35 | -30 | -30 | -20 | 1500 | | |
| J3006G21DNL | 1CT:1 | 1CT:1 | Up | G/Y | No | Yes | -1.0 | -20 | -16 | -12 | -40 | -35 | -30 | -30 | -20 | 1500 | | |
| J3011G21DNL | 1CT:1 | 1CT:1 | Up | G/Y | Yes | Yes | -1.0 | -20 | -16 | -12 | -40 | -35 | -30 | -30 | -20 | 1500 | | |
| J3018G21KNL | 1CTS:1.414 | 1CT:1 | Up | G/G | Yes | Yes | -1.0 | -20 | -16 | -11.5 | -40 | -35 | -30 | -30 | -20 | 1500 | | |
| J3026G01DNL | 1CTS:1 | 1CT:1 | Up | G/Y | Yes | No | -1.0 | -20 | -16 | -12 | -40 | -35 | -30 | -30 | -20 | 1500 | | |
| J3026G21DNL | 1CTS:1 | 1CT:1 | Up | G/Y | Yes | Yes | -1.0 | -20 | -16 | -12 | -40 | -35 | -30 | -30 | -20 | 1500 | | |
| JX30-0005NL ³ | 1CT:1 | 1CT:1 | Up | G/Y | Yes | Yes | -1.0 | -20 | -16 | -12 | -40 | -35 | -30 | -30 | -20 | 1500 | | |

NOTES:

1. LEDs Left/Right: **G** = green; **Y** = yellow.
2. Add suffix "T" for Tape & Reel option (e.g. JOC-0004T).
3. Extended Temperature: -40° to 85° C

RJ45 Durability Testing Rating

| Part Number | Mating Force (MAX) | Unmating Force (MAX) | Durability | Plug to Jack Retention (MIN) |
|------------------|--------------------|----------------------|----------------|------------------------------|
| JOC/JV/J3 Series | 5 lbs./2.268 kgs. | 5 lbs./2.268 kgs. | 750 Insertions | 20 lbs./9.072 kgs. |

RJ45 Material Specification

| Part Number | Shield | | Contact | | | Housing | | MSL ² Rating |
|------------------|----------|---------------------------------------|-----------------|--|--------------------------|--------------------------|---------------|-------------------------|
| | Material | Finish | Material | Plating Area ³ | Solder Area ⁵ | Material | Specification | |
| JOC/JV/J3 Series | Brass | 20-40μ inches thick nickel over Brass | Phosphor Bronze | (X)μ inches gold over 30-80μ inches nickel | Tin matte finish | High Temp. Thermoplastic | UL 94 V-0 | 1 ⁴ |

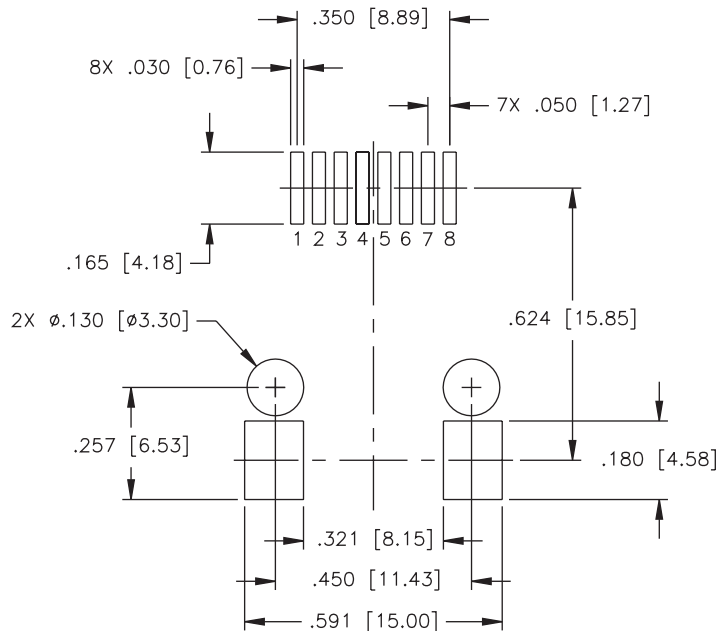
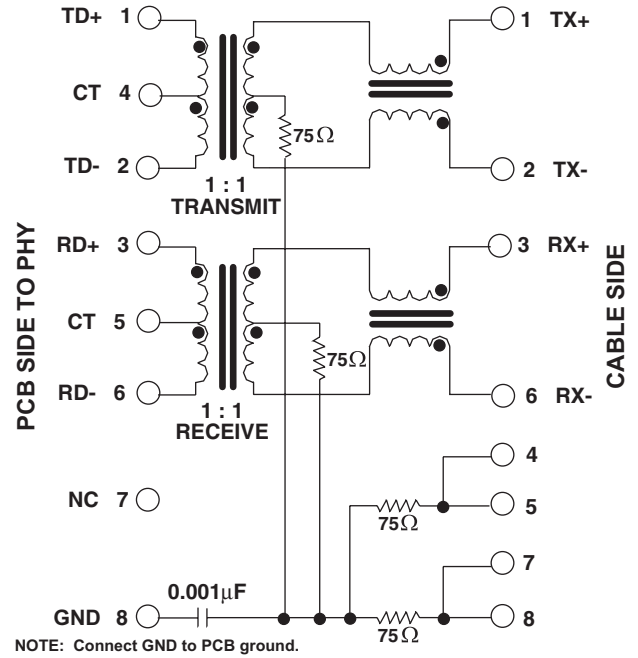
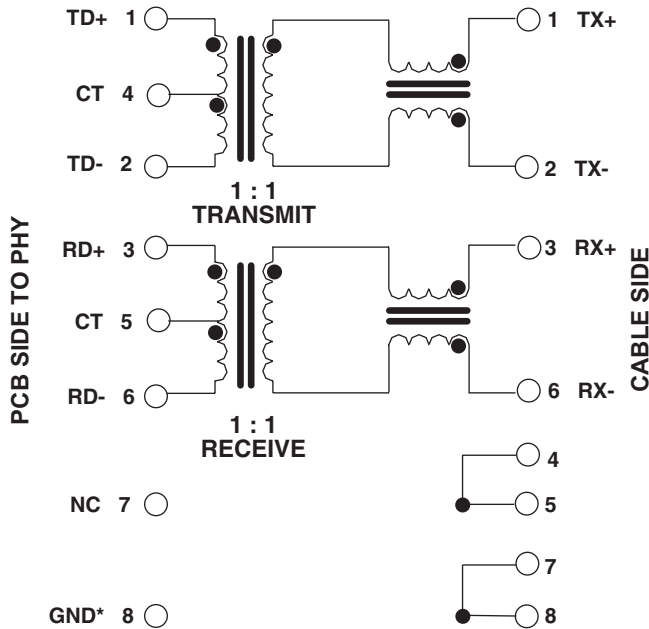
- Notes: 1. Connector dimensions comply with FCC part 68 dimension requirements. 2. MSL=Moisture Sensitivity Level rating: 1-5 (highest rating = 1, lowest rating = 5). 3. (X)=30μ inches gold for JV and J30 platforms and 15μ inches gold for JOC platform. 4. The MSL rating for JOC-000X is Level 4. All other connectors are Level 1. 5. NL parts are tin matte finish over nickel.

USA 858 674 8100 • Germany 49 7032 7806 0 • Singapore 65 6287 8998 • Shanghai 86 21 62787060 • China 86 755 33966678 • Taiwan 886 3 4643715

J0C Platform Schematics

J0C-0003NL/04NL

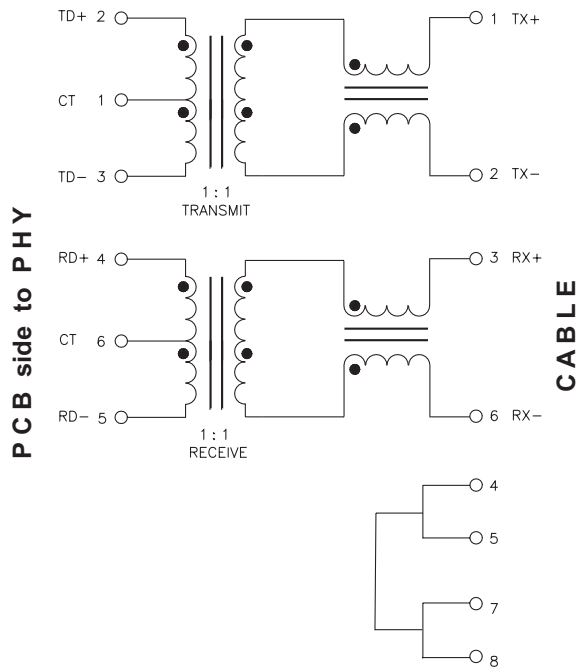
J0C-0005NL/06NL



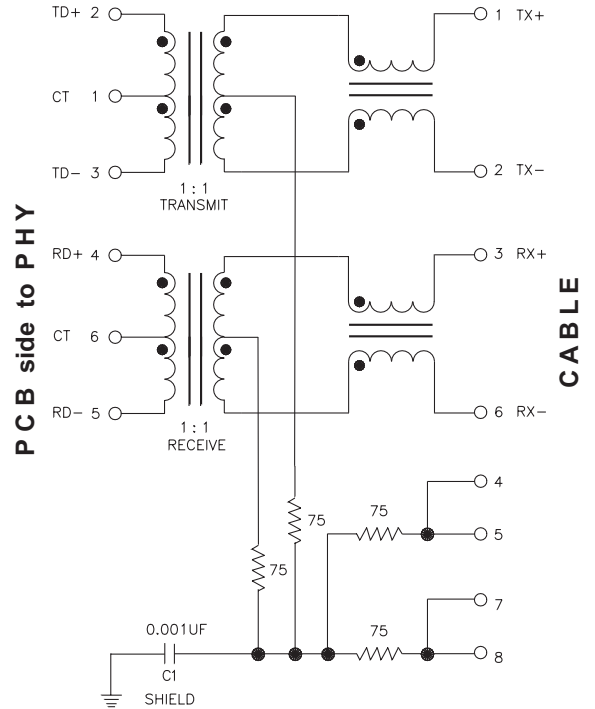
SUGGESTED FOOTPRINT (COMPONENT SIDE SHOWN)
 DIMENSIONAL TOLERANCE: (UNLESS OTHERWISE SPECIFIED)
 .XXX ±.003 [X.XX ±0.08]

JV Platform Schematics

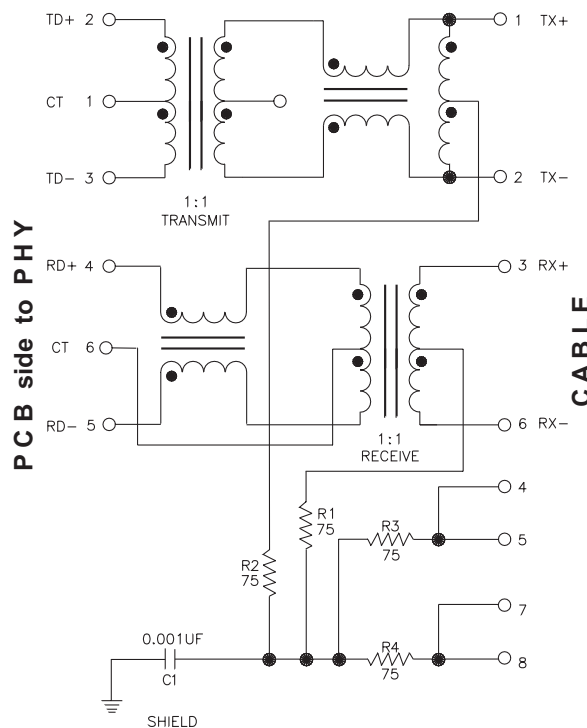
JV006



JV011

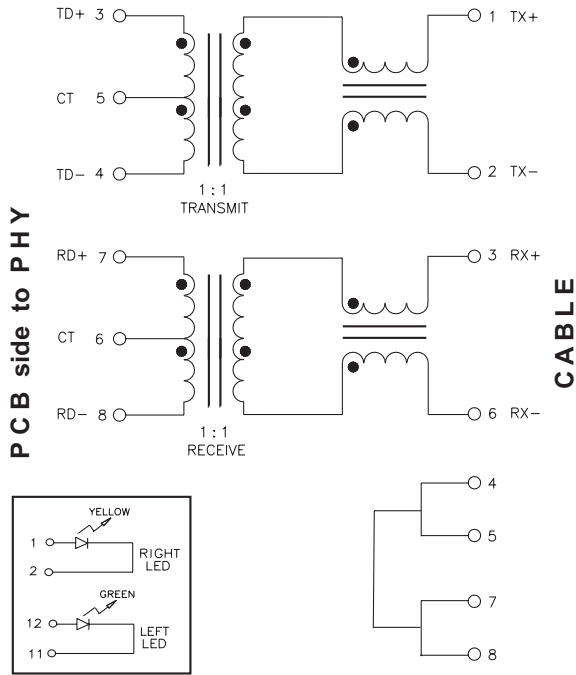


JV026

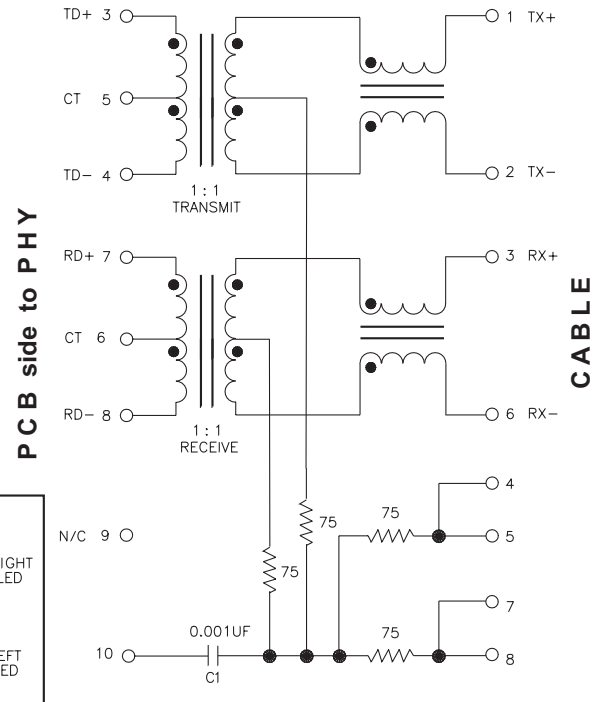


J3 Platform Schematics

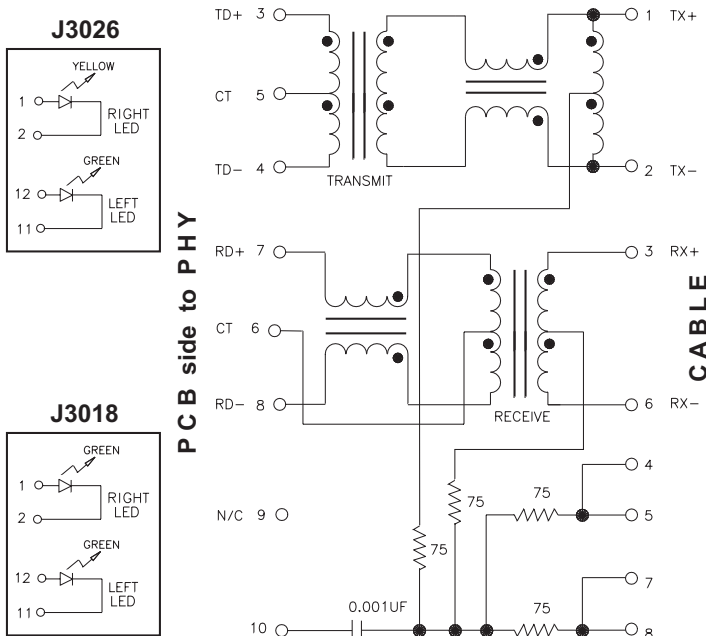
J3006



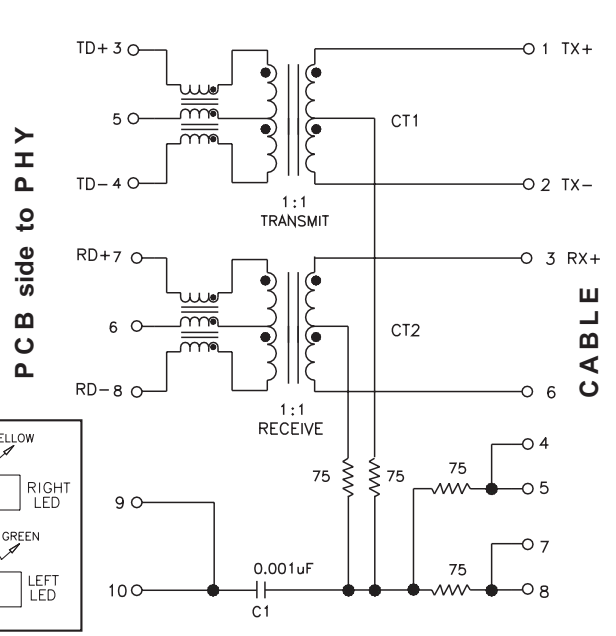
J3011



J3018/J3026



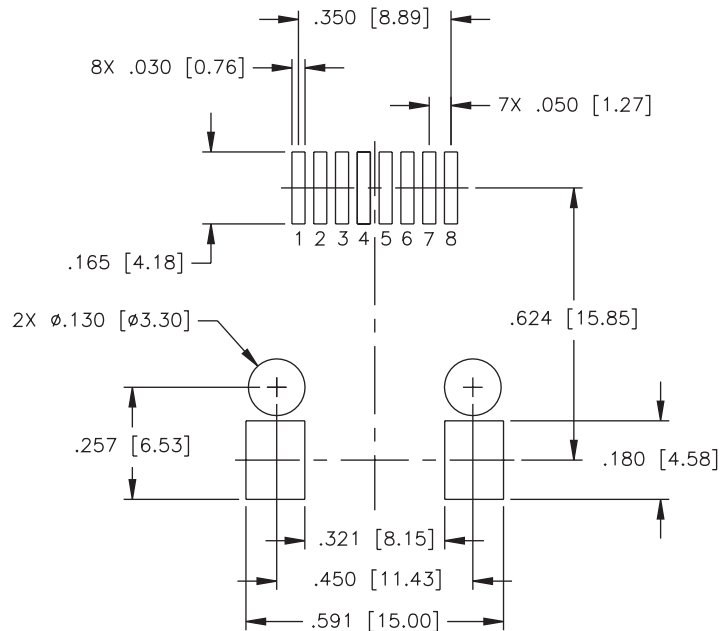
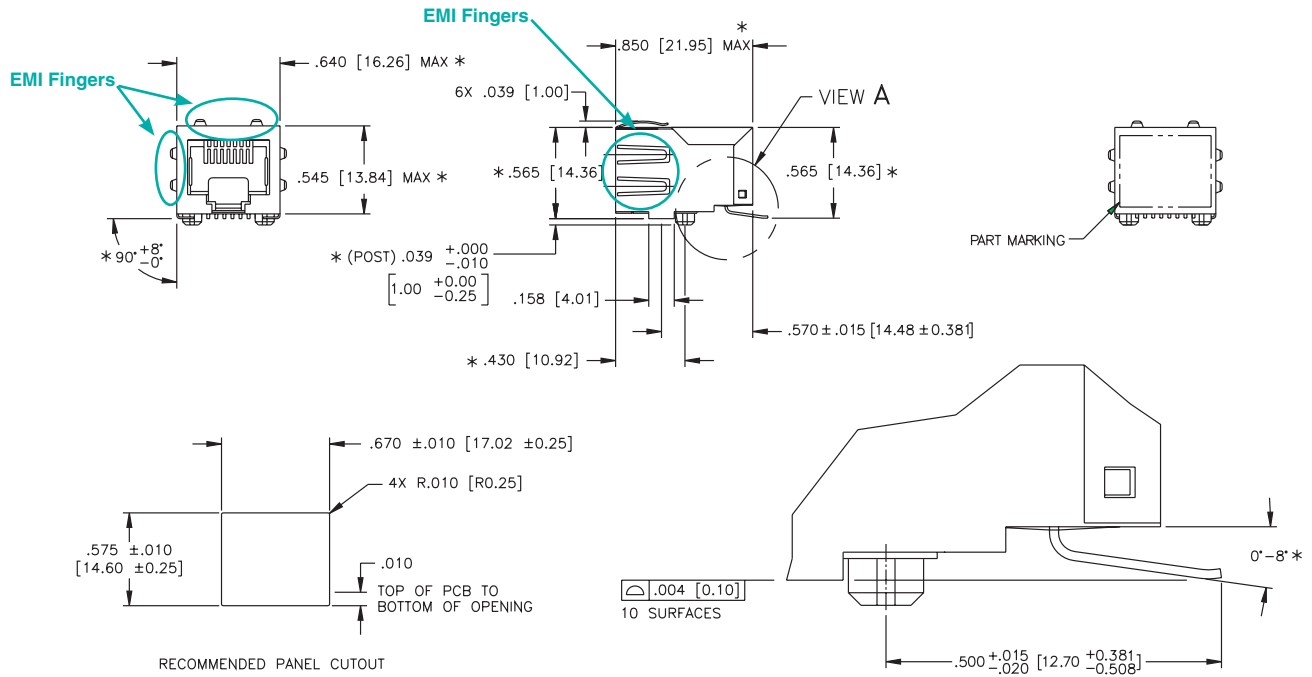
JX30-0005NL



J0C Platform Mechanicals

J0C-0004NL/06NL

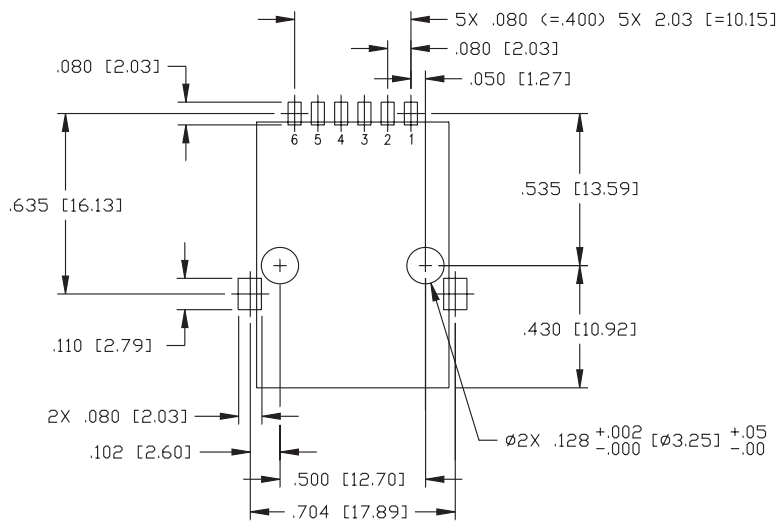
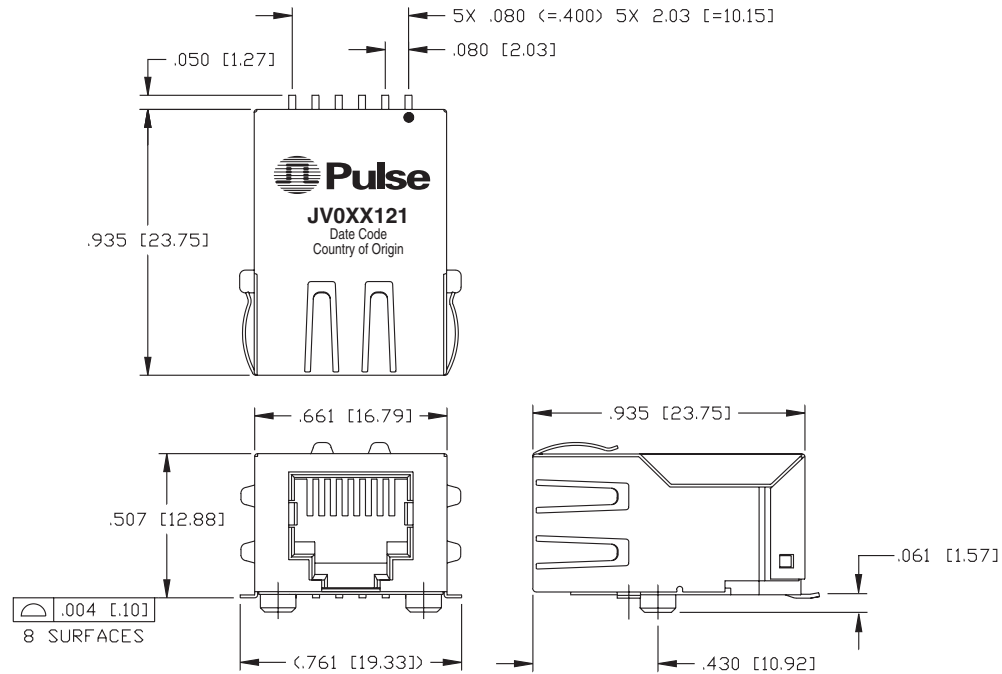
(J0C-0003NL/05NL - Same platform without



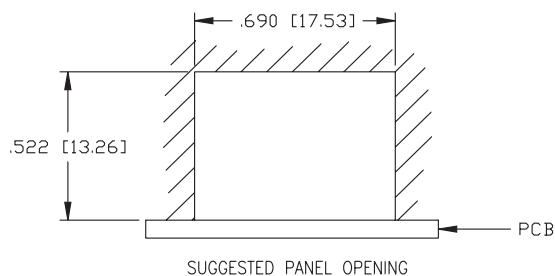
SUGGESTED FOOTPRINT (COMPONENT SIDE SHOWN)
 DIMENSIONAL TOLERANCE: (UNLESS OTHERWISE SPECIFIED)
 .XXX ±.003 [X.XX ±0.08]

JV Platform Mechanicals

JV Series



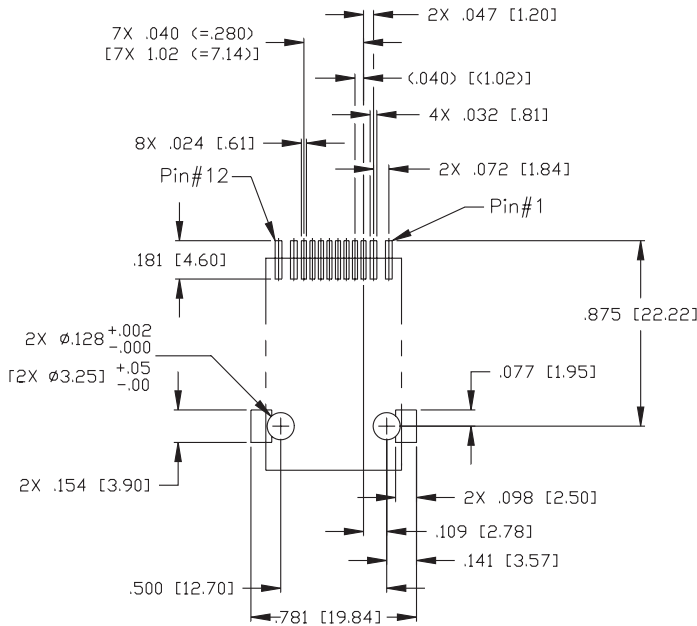
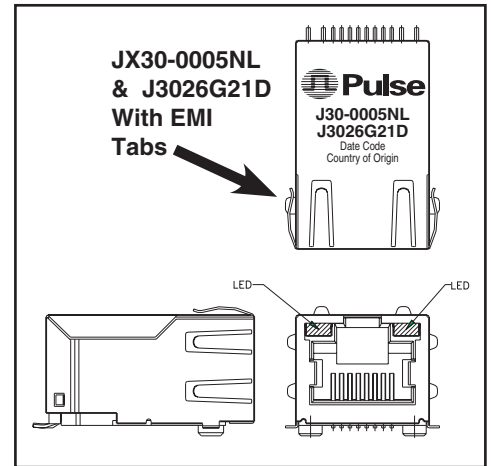
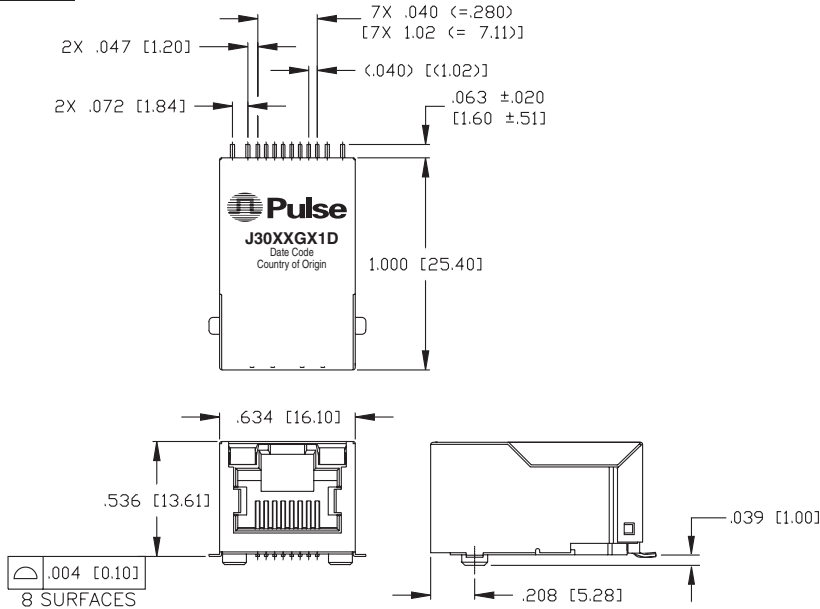
SUGGESTED PC BOARD LAYOUT VIEWED FROM COMPONENT SIDE
PCB LAYOUT DIMENSIONS TO BE $\pm .003$ UNLESS OTHERWISE SPECIFIED



Dimensions: $\frac{\text{Inches}}{\text{mm}}$
Unless otherwise specified,
all tolerances are $\pm \frac{.010}{0,25}$

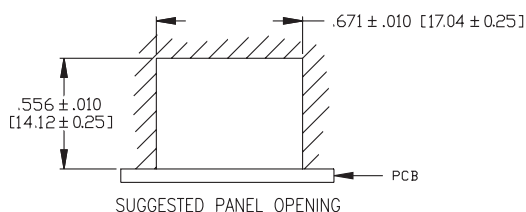
J3 Platform Mechanical

J3 Series



Dimensions: $\frac{\text{Inches}}{\text{mm}}$
 Unless otherwise specified,
 all tolerances are $\pm \frac{.010}{0,25}$

SUGGESTED PC BOARD LAYOUT VIEWED FROM COMPONENT SIDE
 PCB LAYOUT DIMENSIONS TO BE $\pm .003$ [± 0.08] UNLESS OTHERWISE SPECIFIED



J0C Application Note

This line of 10/100Base-TX SMT RJ45 1X1 Connector Magnetics Modules has been specifically designed for the implementation of a 10Base-T and 100Base-TX transmission over data-grade unshielded twisted pair cable (UTP-3, 5e and 6).

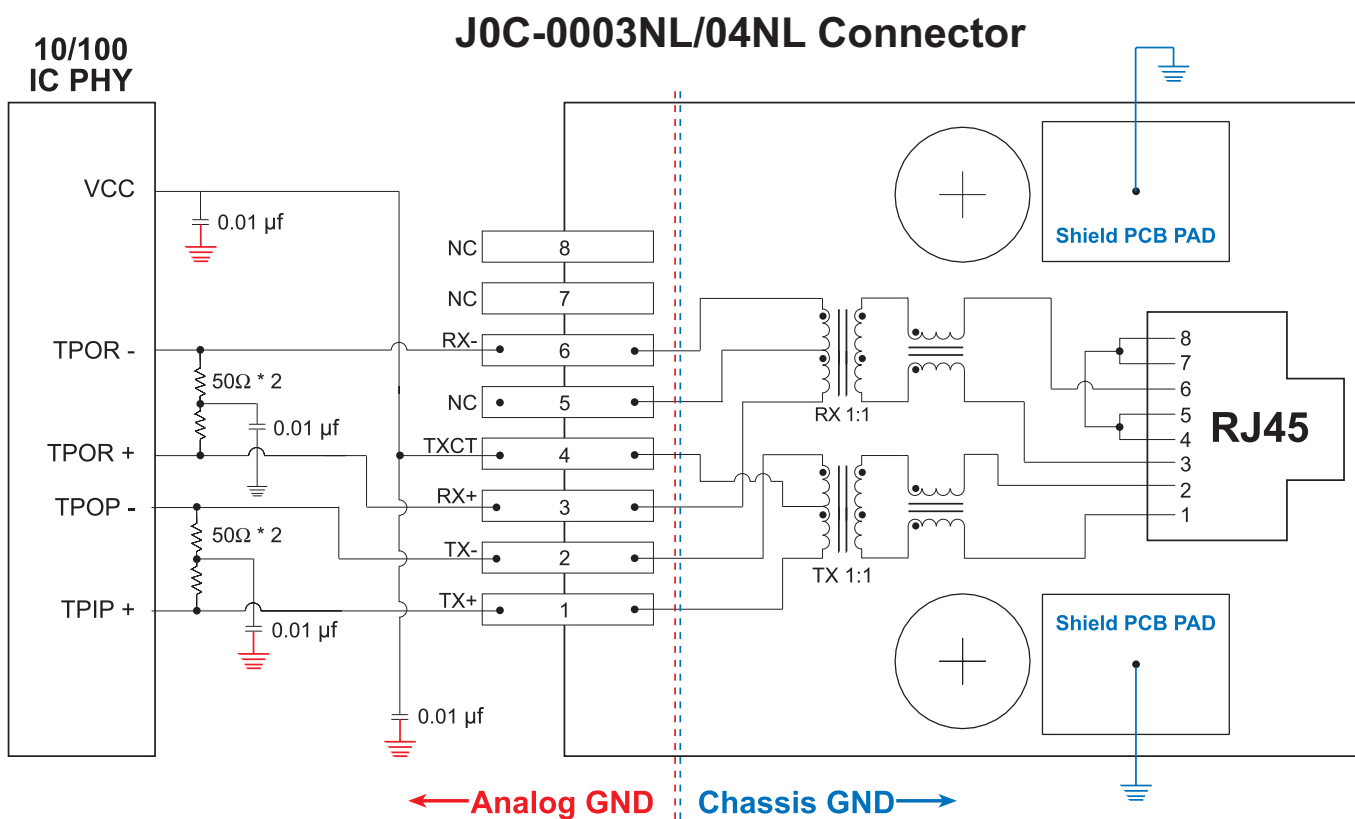
The connectors provide excellent EMI filtering and are suitable for adapter card and multiport applications. Pulse has worked closely with the leading IC manufacturers in providing these 10/100 solutions, thereby assuring compatibility with each transceiver.

The J0C series meets the stringent open circuit inductance requirements imposed by IEEE. When an 8mA DC current is applied across the transformer windings, the transformer will provide at least 350µH. The transformers used in each module also provide 1500Vrms minimum isolation, wide bandwidth with

minimal attenuation and fast rise times to minimize system level jitter.

The 1X1 SMT RJ45 connectors manufactured by Pulse are designed to meet all published specifications after exposure to surface mount soldering temperatures. The SMT are robust enough to withstand convection and infrared reflow solder temperatures. Additionally, compliant leads provide excellent solder-joint reliability with a coplanarity of 0.10mm (0.004")

NOTE: Modules are packaged in trays, unless Tape & Reel is specified (ex: J0C-0003NL for Trays and J0C-0003NLT for Tape & Reel).



NOTE: Connector design not to scale

PCB Layout Recommendations:

1. For maximum EMI suppression (electromagnetic interference) place the decoupling capacitors adjacent to Vcc and 50Ω connections.
2. Connections to ground should be as short as possible.
3. Connections between the 10/100 IC and the SMT connector should be direct (ideally no change in direction) and of minimum length.

JV Application Note

This line of 10/100Base-TX SMT RJ45 1X1 Connector Magnetics Modules has been specifically designed for the implementation of a 10Base-T and 100Base-TX transmission over data-grade unshielded twisted pair cable (UTP-3, 5e and 6).

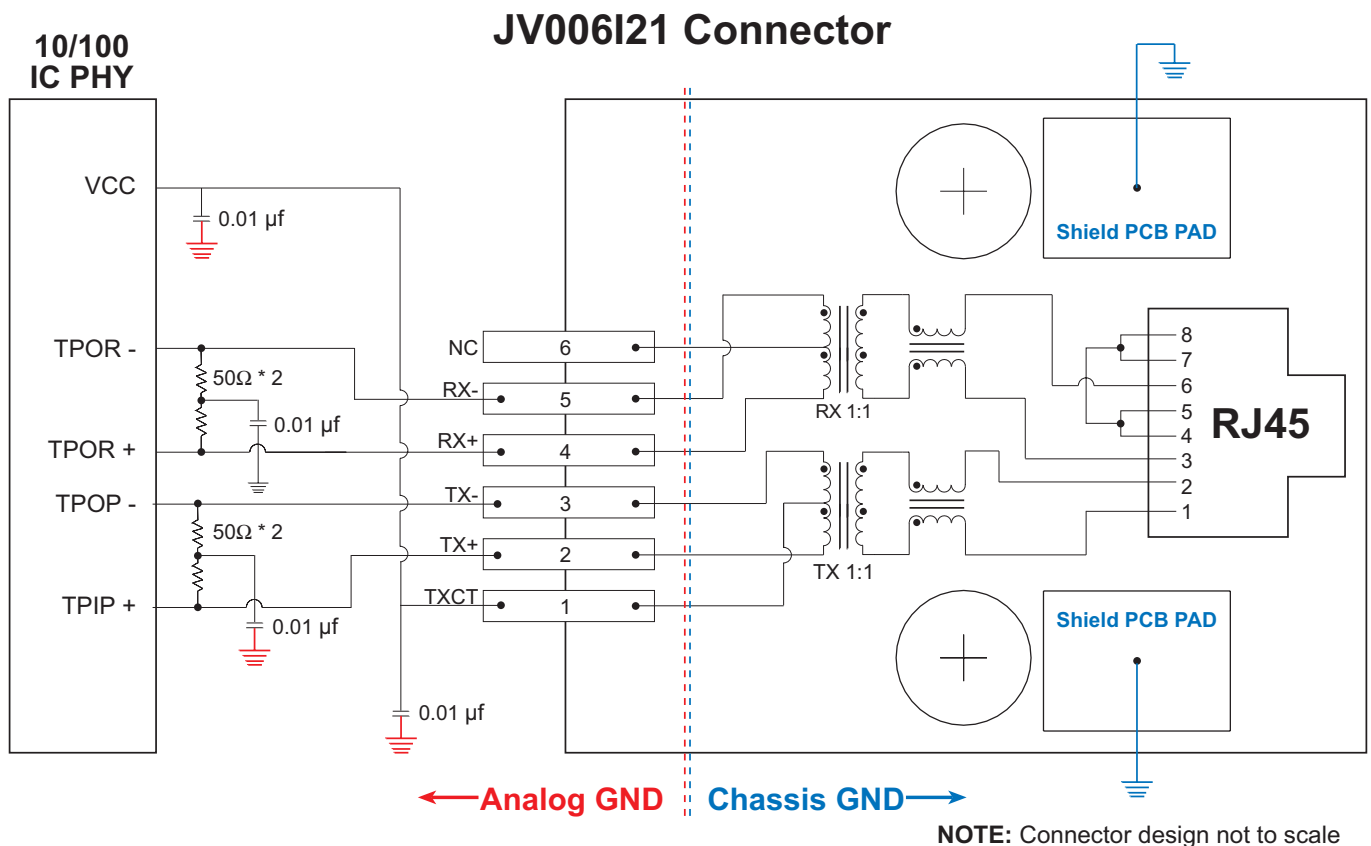
The connectors provide excellent EMI filtering and are suitable for adapter card and multiport applications. Pulse has worked closely with the leading IC manufacturers in providing these 10/100 solutions, thereby assuring compatibility with each transceiver.

The JV series meets the stringent open circuit inductance requirements imposed by IEEE. When an 8mA DC current is applied across the transformer windings, the transformer will provide at least 350µH. The transformers used in each module also provide 1500Vrms minimum isolation, wide bandwidth with

minimal attenuation and fast rise times to minimize system level jitter.

The 1X1 SMT RJ45 connectors manufactured by Pulse are designed to meet all published specifications after exposure to surface mount soldering temperatures. The SMT are robust enough to withstand convection and infrared reflow solder temperatures. Additionally, compliant leads provide excellent solder-joint reliability with a coplanarity of 0.10mm (0.004")

NOTE: Modules are packaged in trays, unless Tape & Reel is specified. Please add the suffix "T" for Tape & Reel orders (ex: JV006I21T). Add the suffix "NL" for RoHS compliant parts (ex: JV006I21NL for Trays and JV006I21NLT for Tape & Reel).



PCB Layout Recommendations:

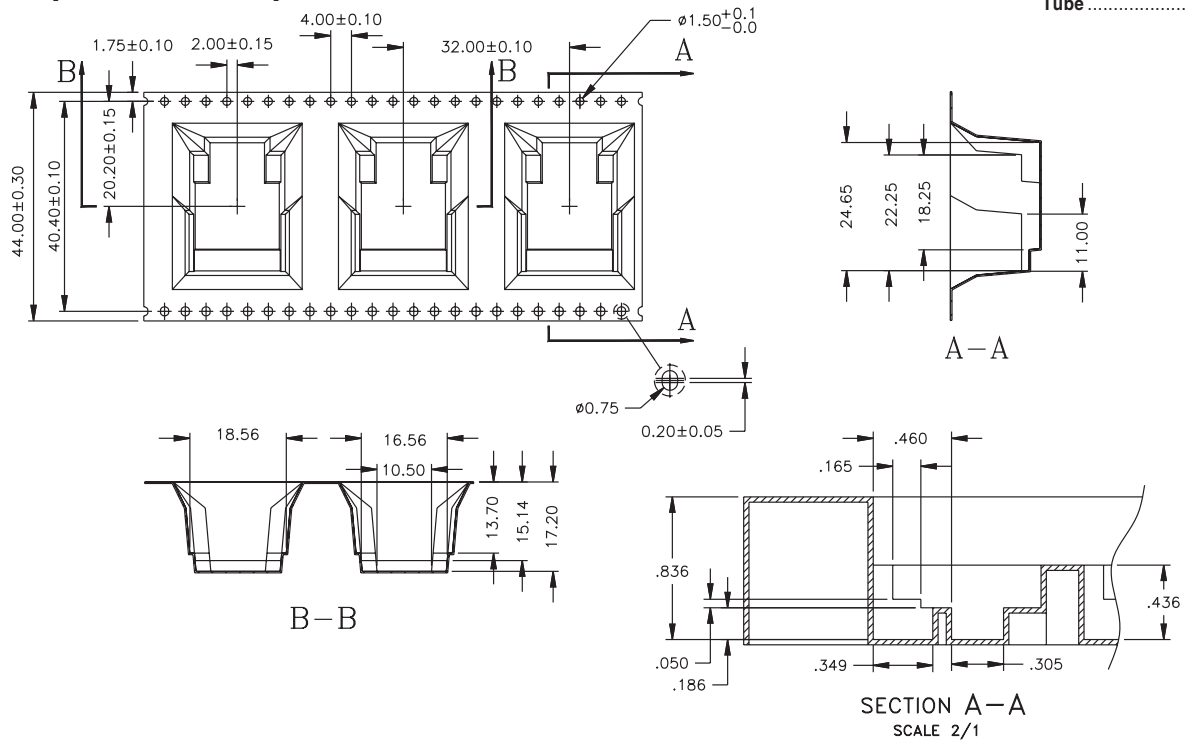
1. For maximum EMI suppression (electromagnetic interference) place the decoupling capacitors adjacent to Vcc and 50Ω connections.
2. Connections to ground should be as short as possible.
3. Connections between the 10/100 IC and the SMT connector should be direct (ideally no change in direction) and of minimum length.

J0C Packaging Specifications

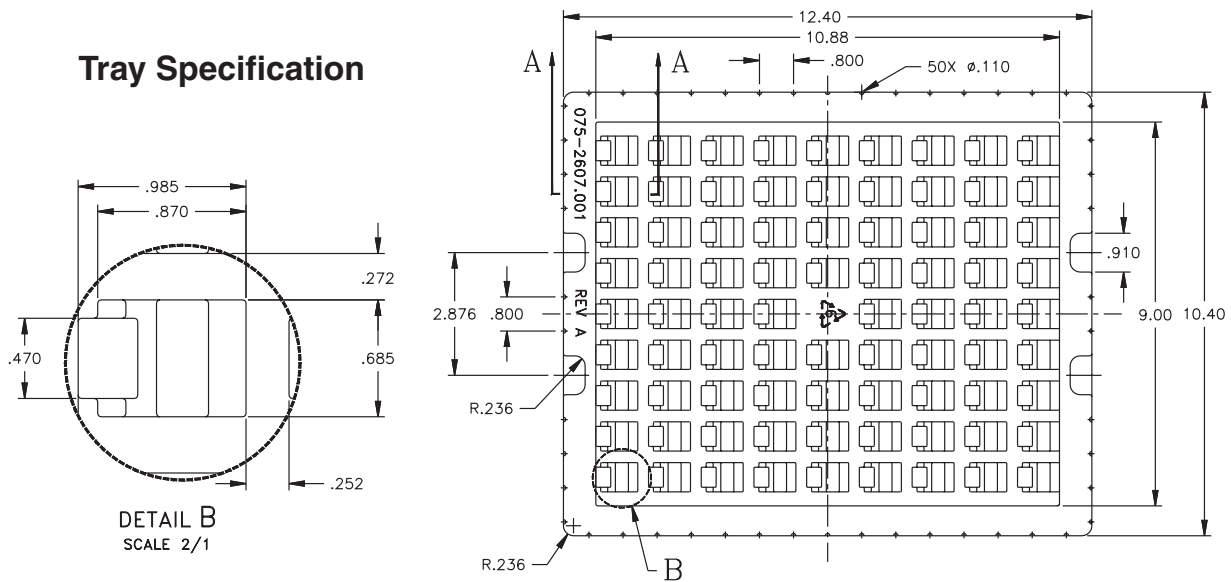
J0C Series

Weight.....7.07 grams
 Tape & Reel..... 90/reel
 Tray 80/tray
 Tape 44x32mm
 Tube 25/tube

Tape and Reel Specification



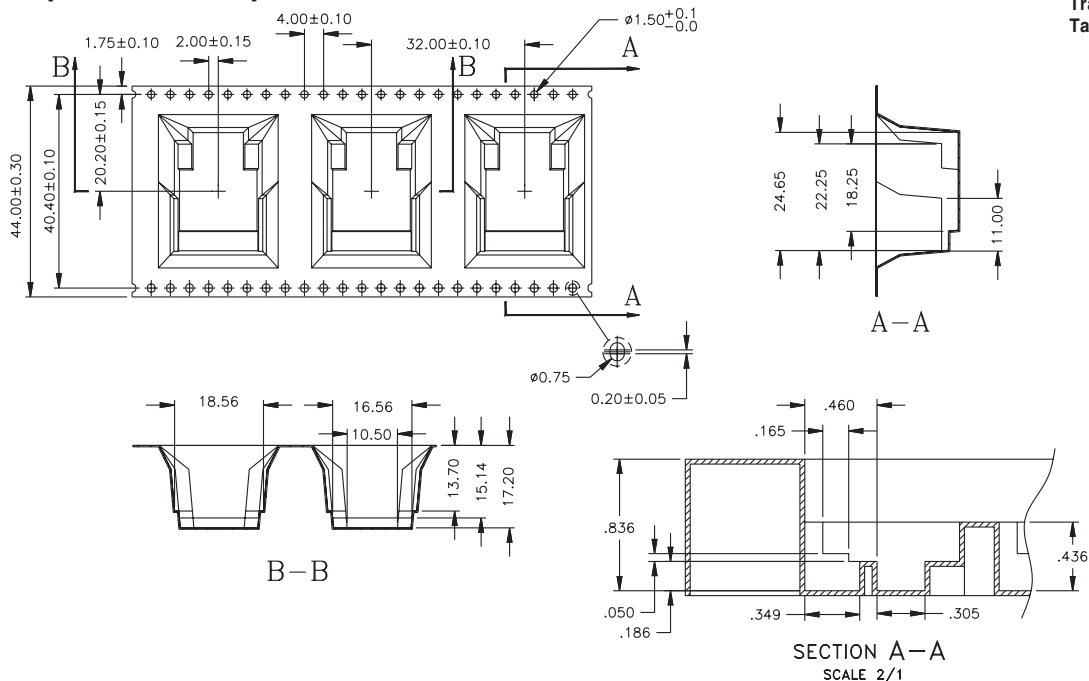
Tray Specification



J3 Packaging Specifications

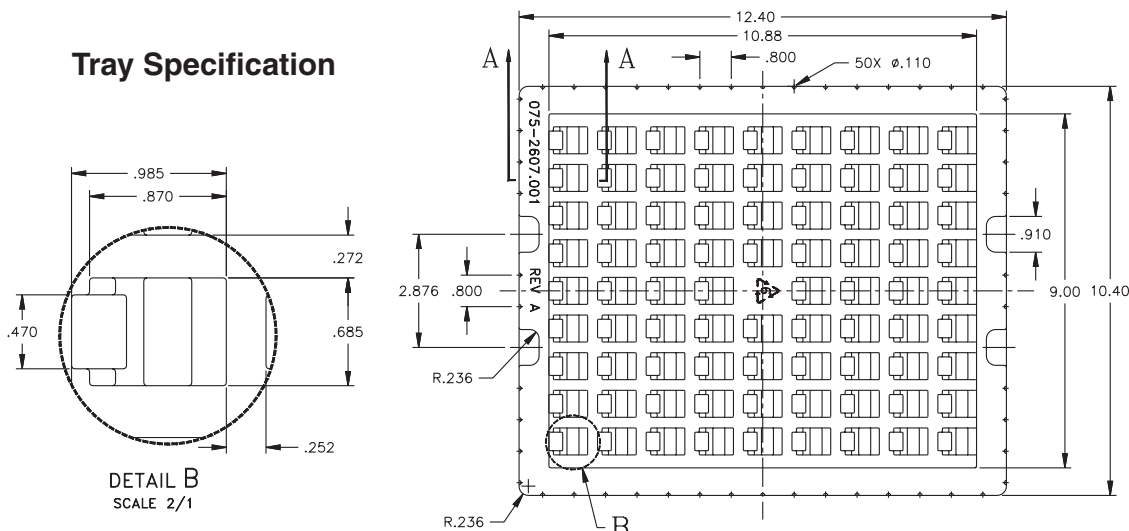
J3 Series

Tape and Reel Specification



Weight.....8.1 grams
 Tape & Reel..... 75/reel
 Tray 45/tray
 Tape56x32mm

Tray Specification



For More Information:

Pulse Worldwide Headquarters

Two Pearl Buck Court
 Bristol, PA 19007
 U.S.A.

www.pulseeng.com

Tel: 215 781 6400
 Fax: 215 781 6403

Pulse Europe

Einsteinstrasse 1
 D-71083 Herrenberg
 Germany

Tel: 49 7032 7806 0

Fax: 49 7032 7806 135

Pulse China Headquarters

B402, Shenzhen Academy of
 Aerospace Technology Bldg.
 10th Kejinan Rd.
 High-Tech Zone
 Nanshan District
 Shenzhen, PR China 518057

Tel: 86 755 33966678

Fax: 86 755 33966700

Pulse North China

Room 2704/2705
 Super Ocean Finance Ctr.
 2067 Yan An Rd. West
 Shanghai 200336
 China

Tel: 86 21 62787060

Fax: 86 2162786973

Pulse South Asia

135 Joo Seng Rd.
 #03-02
 PM Industrial Bldg.
 Singapore 368363

Tel: 65 6287 8998

Fax: 65 6280 0080

Pulse North Asia

No. 26, Kao Ching Rd.
 Yang Mei Chen
 Taoyuan Hsien
 Taiwan
 R. O. C.

Tel: 886 3 4643715

Fax: 886 3 4641911

Performance warranty of products offered on this data sheet is limited to the parameters specified. Data is subject to change without notice. Other brand and product names mentioned herein may be trademarks or registered trademarks of their respective owners. © Copyright, 2009. Pulse Engineering, Inc. All rights reserved.