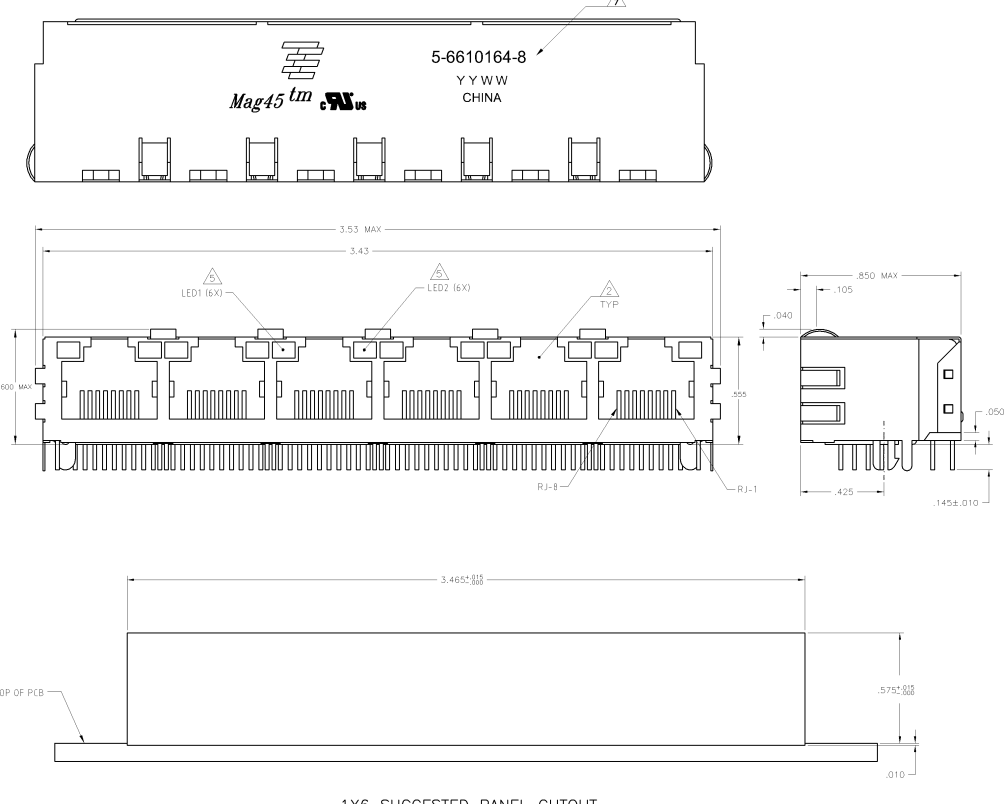


MECHANICAL:



- MATERIALS**
- HOUSING - THERMOPLASTIC PET POLYESTER FLAMMABILITY RATING UL 94V-0
 - SHIELD - .010" THICK, C2680 BRASS PREPLATED WITH 50µINCH MIN SEMI-BRIGHT NICKEL. SOLDER TABS POST TIPPED WITH 100µINCH MIN SAC SOLDER.
 - MOD JACK CONTACTS - 0.0157 X 0.018" PHOSPHOR BRONZE, 50µINCH MIN OVERALL NICKEL UNDERPLATE WITH SELECT 5µINCH MIN HARD GOLD FINISH PLATE.
 - SOLDER TABS WITH 100µINCH MIN MATTE TIN AND/OR SAC SOLDER DIP.
 - LIGHT EMITTING DIODE(LEI) - DIFFUSED EPOXY LENS, .020" X .020" CARBON STEEL WIREFRAME LEADS PRE-PLATED WITH 80µINCH SILVER OVER 4µINCH NICKEL UNDERPLATE OVER 4µINCH COPPER UNDERPLATE, POST-PLATED WITH 100µINCH MIN MATTE TIN AND/OR SAC SOLDER DIP OR PURE TIN SOLDER DIP.
- RJ45 JACK CAVITY CONFORMS TO FCC RULES AND REGULATIONS PART 68, SUB PART F**
- MAGNETICS**
- IMPEDANCE: 100 OHMS
 - TURNING RATIO (C/W/ CABLE): TX + 11, RX + 11
 - OPEN CIRCUIT INDUCTANCE (OC1): 350nH MIN @ 100MHz, 0 IVRMS, 8mA DC BIAS FROM 0°C TO 70°C, TX AND RX
 - POE CURRENT: 350mA DC MAX
 - PERFORMANCE @ 25°C
 - INSERTION LOSS (IL): 1dB MAX FROM 0.5MHz TO 100MHz
 - RETURN LOSS (RL): 18dB MIN FROM 0.5MHz TO 30MHz
 - IS-20 (S/0.5) 30dB MIN FROM 30 MHz TO 60MHz
 - IS2B MIN FROM 60 MHz TO 80MHz
 - CROSSTALK ATTENUATION: 35dB MIN FROM 0.5MHz TO 40MHz
 - IS-20 (L/0.5) 50dB MIN FROM 4.1 MHz TO 100MHz
 - COMMON MODE REJECTION RATIO (CMRR): 30dB MIN FROM 0.5MHz TO 100MHz
 - ISOLATION VOLTAGE: COMPLIES WITH IEEE802.3 2002, PARA 23.5.1.1 ITEM b
4. OPERATING TEMPERATURE FROM 0° - +70°C
- LEDS WITHOUT BUILT-IN RESISTOR**
- LEDS ARE DRIVEN WITH CONSTANT CURRENT AT APPROX 20 mA
 - LED COLOR DOMINANT WAVELENGTH (nm): GREEN 568 nm TYP @ IF=20 mA
 - FORWARD VOLTAGE (VF): GREEN 2.2V TYP @ IF=20 mA
 - DOMINANT WAVELENGTH (nm): YELLOW 588 nm TYP @ IF=20 mA
 - FORWARD VOLTAGE (VF): YELLOW 2.1V TYP @ IF=20 mA
- INDICATED CONNECTIONS ARE FOR IEC CONFIGURATION. THE MAGNETICS ARE SYMMETRICAL AND SUPPORT AUTO-IDENTIFICATION.**
- TYCO ELECTRONICS LOGO, PART NUMBER, DATE CODE, COUNTRY OF ORIGIN AND AGENCY APPROVAL MARKING IN APPROXIMATE LOCATION SHOWN.**
8. THESE PARTS ARE RECOMMENDED FOR WAVE SOLDERING PROCESS. PEAK WAVE SOLDERING TEMPERATURE IS 265°C, 10SECONDS MAX.

1X6 SUGGESTED PANEL CUTOUT

GREEN	YELLOW	5-6610164-8
GREEN	GREEN	6610164-7
LED1	LED2	PART NUMBER

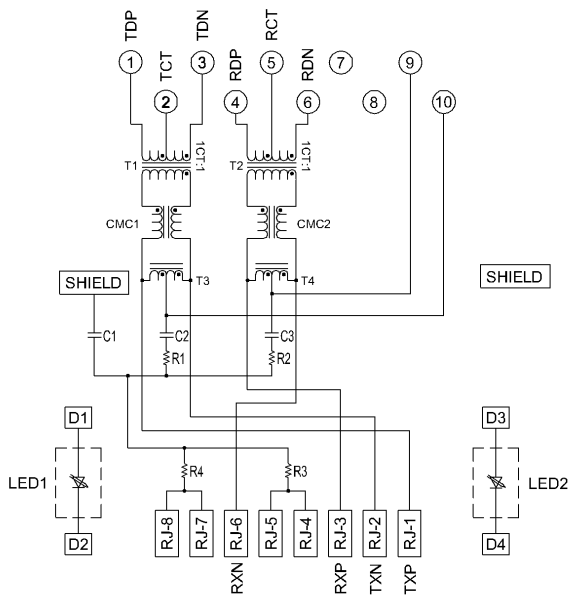
THIS DRAWING IS A CONTROLLED DOCUMENT.

REV	DATE	DESCRIPTION	BY	CHK	APP
A	00779				

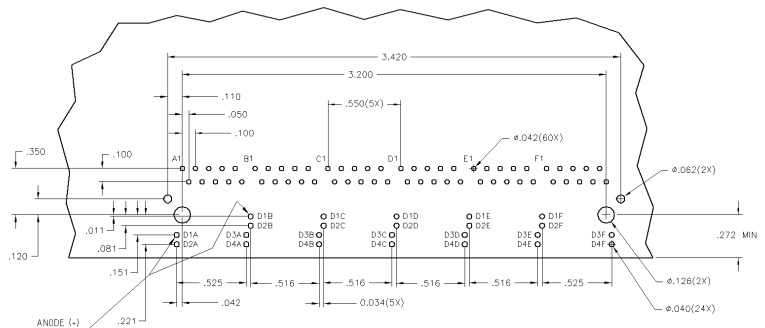
1X6 MAG45(TN) MODULAR JACK, 7002P1 VAP/POE SCHEMATIC, 15P1 SERIES CIRCUIT, SHIELDED, DECOUPLING CAPACITOR, WITH LEDS

CUSTOMER DRAWING

7Q15P1 MAGNETIC CIRCUIT



- C1 = 1000pF, 2kV CAPACITOR
- R1 - R4 = 75 OHMS, 1/16W RESISTORS
- C2 & C3 = 15nF, 100VDC CAPACITORS



Suggested PCB Layout
(Component Side)

THIS DRAWING IS A CONTROLLED DOCUMENT.		REV: AA	DATE: 22	REVISIONS: 1
DESIGNER: [Signature]	DATE: [Date]	APP: [Signature]	DATE: [Date]	REV: [Date]
DRAWING NO: 114		PROJECT NO: A100779		REV: 2
CUSTOMER DRAWING		PART NO: 5610164		REV: 2
SCALE: 1:1		SHEET: 2		TOTAL SHEETS: 2