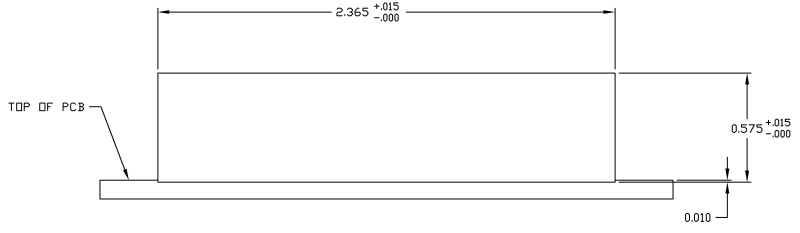
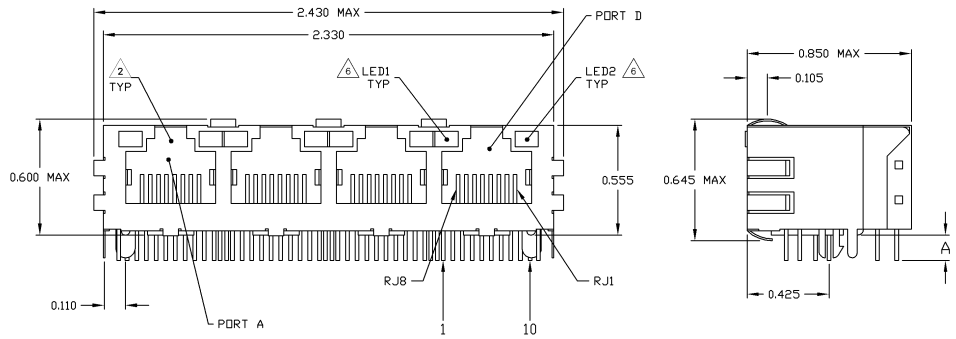
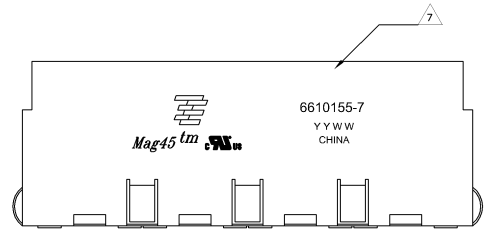


MECHANICAL:



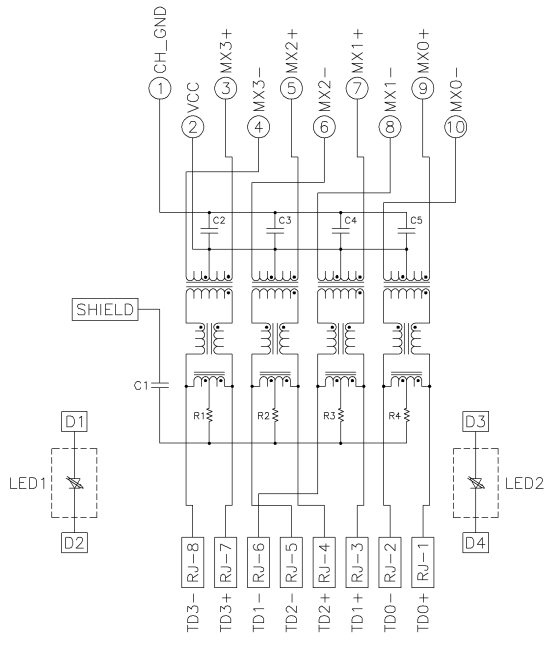
1X4 SUGGESTED PANEL CUTOUT

- ⚠ MATERIALS:
 - HOUSING - THERMOPLASTIC PET POLYESTER FLAMMABILITY RATING UL 94V-0
 - SHIELD - 0.010" THICK, C26800 BRASS PREPLATED WITH 30μINCH MIN SEMI-BRIGHT NICKEL. SOLDER TABS POST DIPPED WITH 100μINCH MIN SAC SOLDER
 - MOD JACK CONTACTS - 0.0157" X 0.018" PHOSPHOR BRONZE, 50μINCH MIN OVERALL NICKEL UNDERPLATE WITH SELECT 50μINCH MIN HARD GOLD FINISH PLATE. SOLDER TAILS WITH 100μINCH MIN MATTE TIN AND/OR SAC SOLDER DIP.
 - LIGHT EMITTING DIODE(LED) - DIFFUSED EPOXY LENS, 0.020" X 0.020" CARBON STEEL WIREFRAME LEADS PRE-PLATED WITH 80μINCH SILVER OVER 40μINCH NICKEL UNDERPLATE OVER 40μINCH COPPER UNDERPLATE. POST-PLATED WITH 100μIN MIN MATTE TIN AND/OR SAC SOLDER DIP OR PURE TIN SOLDER DIP.
- ⚠ RJ45 JACK CAVITY CONFORMS TO FCC RULES AND REGULATIONS PART 68, SUB PART F.
- ⚠ MAGNETICS
 - IMPEDANCE: 100 OHMS
 - TURNS RATIO (CHIP CABLE): 1:1 ALL FOUR PAIRS
 - OPEN CIRCUIT INDUCTANCE (OCL): 350μH MIN @100kHz, 0.1VRMS, 8mADC BIAS FROM 0°C TO 70°C, ALL FOUR PAIRS
 - ALL FOUR PAIRS BI-DIRECTIONAL
 - PERFORMANCE @ 25°C:
 - INSERTION LOSS (IL): 1.1dB MAX FROM 0.5MHz TO 100MHz
 - RETURN LOSS (RL): 18dB MIN FROM 0.5MHz TO 40MHz
 - 12-20LOG(I/80)dB MIN FROM 4.0 MHz TO 100MHz
 - CROSSTALK ATTENUATION: 35dB MIN FROM 0.5MHz TO 40MHz
 - 33-20*LOG(I/50)dB MIN FROM 4.0 MHz TO 100MHz
 - COMMON MODE REJECTION RATIO (CMRR): 30dB MIN FROM 0.5MHz TO 100MHz
 - ISOLATION VOLTAGE: COMPLIES WITH IEEE802.3 2002, PARA 4.0 6.1.1, ITEM b.
- 4 OPERATING TEMPERATURE: FROM 0°C TO +70°C.
- ⚠ INDICATED MAGNETIC CONNECTIONS ARE SYMMETRICAL TO SUPPORT AUTO-MDI/MDIX.
- ⚠ LEADS WITHOUT BUILT-IN RESISTOR
 - LEDS ARE DRIVEN WITH CONSTANT CURRENT AT APPROX 20 mA
 - LED COLOR: DOMINANT WAVELENGTH (λD): GREEN 568 nm TYP @ IF=20 mA
 - FORWARD VOLTAGE (VF): GREEN 2.2V TYP @ IF=20 mA
 - DOMINANT WAVELENGTH (λD): ORANGE 605 nm TYP @ IF=20 mA
 - FORWARD VOLTAGE (VF): ORANGE 2.1V TYP @ IF=20 mA
- ⚠ TYCO ELECTRONICS LOGO, PART NUMBER, DATE CODE, COUNTRY OF ORIGIN AND AGENCY APPROVAL MARKING IN APPROXIMATE LOCATION SHOWN.
- 8 THESE PARTS ARE RECOMMENDED FOR WAVE SOLDERING PROCESS, PREHEAT TEMPERATURE IS 120°C TO 160°C, 120 SECONDS TO 180 SECONDS, PEAK WAVE SOLDERING TEMPERATURE IS 260°C MAX, 10 SECONDS MAX.

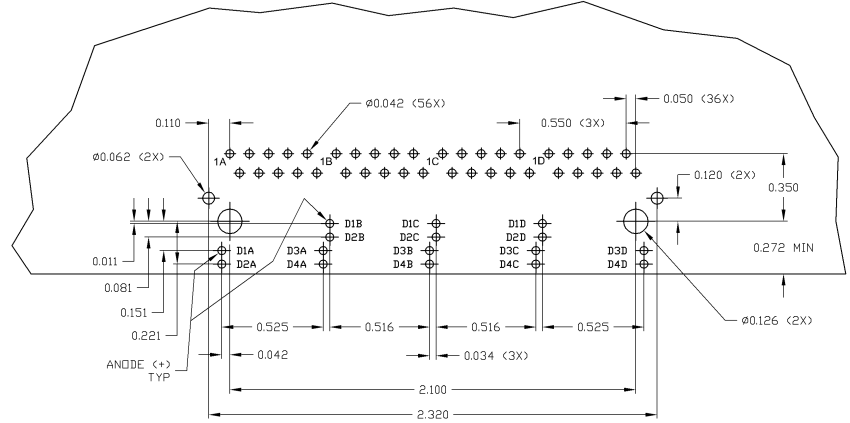
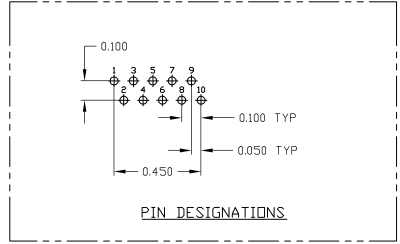
0.160±0.010	GREEN	GREEN	1-6610155-5
0.145±0.010	GREEN	ORANGE	1-6610155-2
0.145±0.010	GREEN	GREEN	6610155-7
DIN "A"	LED1	LED2	PART NUMBER

THIS DRAWING IS A CONTROLLED DOCUMENT		ATTACH - APPROVED	TYCO Electronics	TYCO Electronics Corporation
DESIGNED BY	DESIGNED DATE	REVISED BY	REVISED DATE	DESCRIPTION
108-2100				1X4 MAG45(TM) MODULAR JACK, 704 SCHEMATIC, SHIELDED, SZ PCB GROUND TABS, WITH LEADS
DATE	BY	APP'D	BY	REVISED TO
CUSTOMER DRAWING		SCALE	1:1	REV 1 # 2

7G05 SERIES GIGABIT CIRCUIT



C1 = 1000pF, 2kV DECOUPLING CAPACITOR
 R1-R4 = 75 OHMS, 1/16W RESISTORS
 C2-C5 = 0.1uF, 10%, 50V, X7R CAPACITORS



SUGGESTED PCB LAYOUT
(Component Side)

THIS DRAWING IS A CONTROLLED DOCUMENT		REV. AA	DATE 22	DESCRIPTION	BY	CHK
DESIGNED BY	DESIGNED DATE	REV. AA	DATE 22	DESCRIPTION	BY	CHK
DRAWN BY	DRAWN DATE	REV. AA	DATE 22	DESCRIPTION	BY	CHK
CHECKED BY	CHECKED DATE	REV. AA	DATE 22	DESCRIPTION	BY	CHK
APPROVED BY	APPROVED DATE	REV. AA	DATE 22	DESCRIPTION	BY	CHK
DATE	BY	DATE	BY	DATE	BY	DATE
108-2100	1X4 MAG45CTW) MODULAR JACK, 704 SCHEMATIC (10 PIN HORIZ), 7G05 GIGABIT MAGNETIC CIRCUIT, SHIELDED, SZ PCB GROUND TABS, WITH LEADS	108-2100	108-2100	108-2100	108-2100	108-2100
A1	00779	C=6610155	SCALE 4:1	SHEET 2	OF 2	D
CUSTOMER DRAWING						