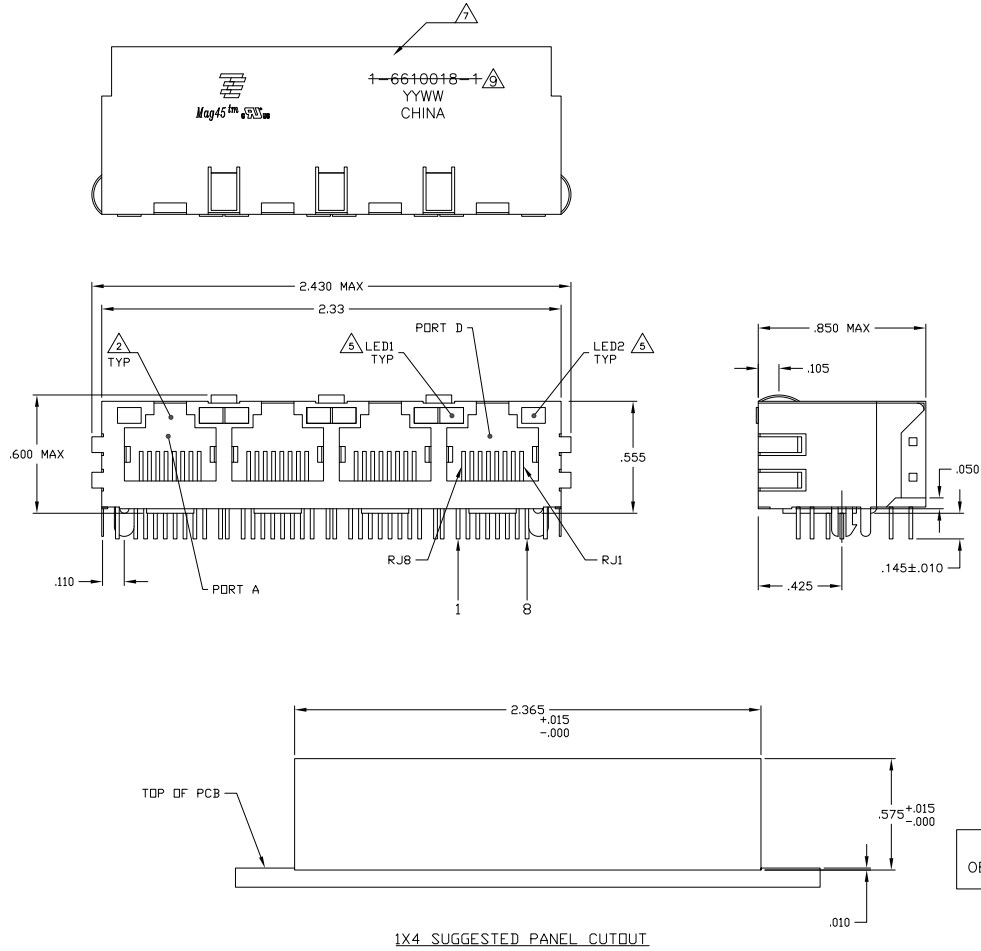


REV	DATE	DESCRIPTION	BY	CHK
AA	22			
B		REV PER ECO-34-42822	DAW3206	DC TX
B1		REVISED PER ECO-09-024927	11N0909	KK AEG

MECHANICAL:



- △ MATERIALS:
 - HOUSING - THERMOPLASTIC PET POLYESTER FLAMMABILITY RATING UL 94V-0.
 - SHIELD - 010" THICK, C26890 BRASS PREPLATED WITH 30UNCH MIN SEMI-BRIGHT NICKEL.
 - SOLDER TABS POST DIPPED WITH 100UNCH MIN SAC SOLDER.
 - MOD JACK CONTACTS - 0.0157 X 0.018" PHOSPHOR BRONZE, 50UNCH MIN OVERALL NICKEL UNDERPLATE WITH SELECT 55UNCH MIN HARD GOLD FINISH PLATE. SOLDER TAILS WITH 100UNCH MIN MATE TIN AND/OR SAC SOLDER DIP.
 - LIGHT EMITTING DIODE(LED) - DIFFUSED EPOXY LENS, 020" X 0.020" CARBON STEEL WIREFRAME LEADS PRE-PLATED WITH 80UNCH SILVER OVER 40UNCH NICKEL UNDERPLATE OVER 40UNCH COPPER UNDERPLATE. POST-PLATED WITH 100UN MIN MATE TIN AND/OR SAC SOLDER DIP OR PURE TIN SOLDER DIP.
- △ RJ45 JACK CAVITY CONFORMS TO FCC RULES AND REGULATIONS PART 68, SUB PART F.
- △ MAGNETICS
 - IMPEDANCE: 100 OHMS
 - TURNS RATIO (CHP CABLE): TX = 11, RX = 11
 - OPEN CIRCUIT INDUCTANCE (OCL): 350nH MIN @100MHz, 0.1Vrms,
 - 8nADC BIAS FROM 0°C TO 70°C, TX AND RX
 - PERFORMANCE @ 25°C:
 - INSERTION LOSS (IL): 1.5dB MAX FROM 0.5MHz TO 100MHz
 - RETURN LOSS (RL): 18dB MIN FROM 0.5MHz TO 30MHz
 - 18-20LOG(I)/30dB MIN FROM 30 MHz TO 60MHz
 - 30dB MIN FROM 60 MHz TO 80MHz
 - CROSSTALK ATTENUATION: 35dB MIN FROM 0.5MHz TO 40MHz
 - 33-20-LOG(I)/50dB MIN FROM 40 MHz TO 100MHz
 - COMMON MODE REJECTION RATIO (CMRR): 30dB MIN FROM 0.5MHz TO 100MHz
 - ISOLATION VOLTAGE: COMPLIES WITH IEEE802.3 2002, PARA 23.5.1.1, ITEM b.
- 4. TEMPERATURE: FROM 0° TO +70°C
- △ THE 250 OHM LED RESISTORS ARE OPTIONAL. PLEASE SEE CHART FOR PRESENCE OR ABSENCE OF LED RESISTORS. IF THE LED WITHOUT 250 OHM RESISTORS, LED IS DRIVEN WITH CONSTANT CURRENT AT APPROX 20mA.
 - LED COLOR/DOMINANT WAVELENGTH(GREEN 568nm TYP. AT IF=20mA
 - LED COLOR/DOMINANT WAVELENGTH(YELLOW 588nm TYP. AT IF=20mA
 - FORWARD VOLTAGE (VF): GREEN 2.2V TYP. AT IF=20mA
 - DOMINANT WAVELENGTH(YELLOW 588nm TYP. AT IF=20mA
 - FORWARD VOLTAGE (VF): YELLOW 2.1V TYP. AT IF=20mA
 - IF THE LED WITH 250 OHM RESISTORS, LED IS DRIVEN WITH 5V VOLTAGE AND THE MAX OPERATING CURRENT IS 20mA.
 - LED COLOR/DOMINANT WAVELENGTH(GREEN 568nm TYP. AT VF=5V
 - FORWARD CURRENT (IF): GREEN 12 mA TYP. AT VF=5V
 - DOMINANT WAVELENGTH (Y): YELLOW 588nm TYP. AT VF=5V
 - FORWARD CURRENT (IF): YELLOW 13 mA TYP. AT VF=5V
- △ INDICATED CONNECTIONS ARE FOR NIC CONFIGURATION. THE MAGNETICS ARE ASYMMETRICAL AND DO NOT SUPPORT AUTO-INDUCTION.
- △ TYCO ELECTRONICS LOGO, PART NUMBER, DATE CODE, COUNTRY OF ORIGIN AND AGENCY APPROVAL MARKING IS APPROXIMATE LOCATION SHOWN.
- 8. THESE PARTS ARE RECOMMENDED FOR WAVE SOLDERING PROCESS. PREHEAT TEMPERATURE IS 120°C TO 160°C, 100 SECONDS TO 180 SECONDS, PEAK WAVE SOLDERING TEMPERATURE IS 260°C MAX, 10 SECONDS MAX.
- △ OBSOLETE PARTS: OBSOLETE CIS STREAMLINING PER D.RENAUD/D.SINISI

OBSOLETE

NO	NO	YES	GREEN	GREEN	5-6610018-7
NO	NO	YES	GREEN/YELLOW	GREEN/YELLOW	5-6610018-6
YES	YES	YES	GREEN	YELLOW	5-6610018-1
YES	YES	NO	GREEN	GREEN	4-6610018-1
NO	NO	NO	GREEN/YELLOW	GREEN	6610018-5
LED1 RESISTOR	RVY DECOUPLING CAPACITOR	LED1		LED2	PART NUMBER

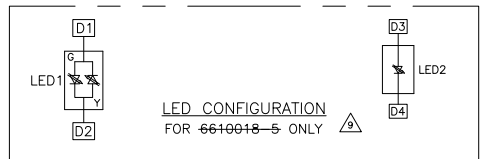
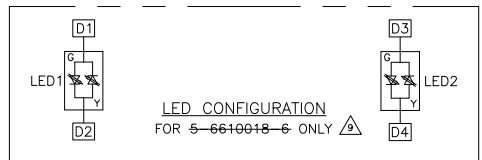
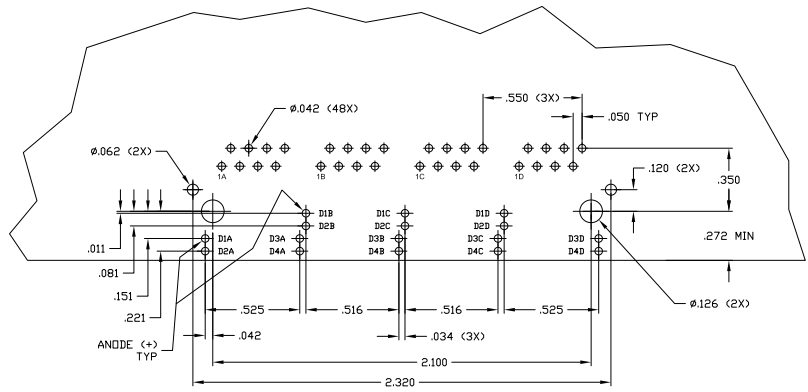
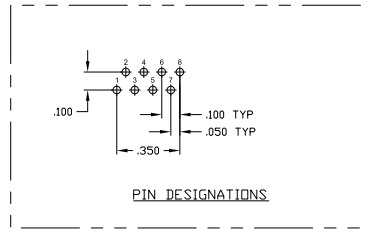
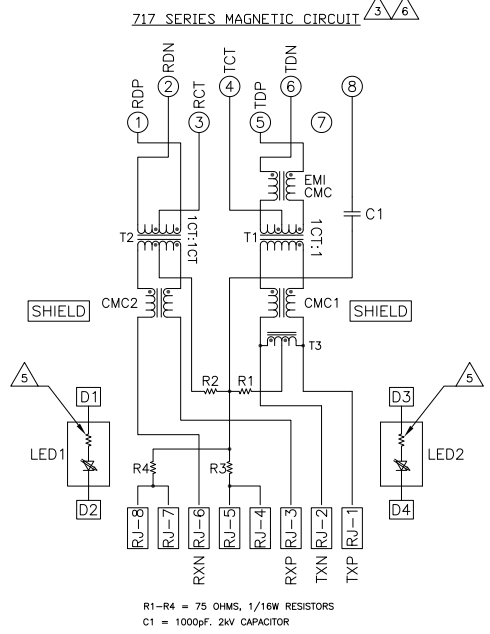
THIS DRAWING IS A CONTROLLED DOCUMENT. SEE THE DRAWING FOR THE DATE CODE AND THE DATE OF THE DRAWING.

DATE: 06/11/2009
 DRAWN BY: A1
 CHECKED BY: A1
 APPROVED BY: A1

1X4 MAG518THE MODULAR JACK, 7X2 SCHEMATIC, 11 SERIES CIRCUIT, SHIELDED, WITH LEDS.

SEE CASE CODE DRAWING NO: A1 00779 C=6610018

CUSTOMER DRAWING: DATE: 4-1 SHEET: 1 OF 2 REV: B1



THIS DRAWING IS A CONTROLLED DOCUMENT.		TYS ELECTRONICS CORPORATION	
DESIGNER	DATE	REV	DESCRIPTION
108-2100	108-2100	1	17 SERIES SCHEMATIC, SHIELDED, WITH LEADS
CUSTOMER DRAWING		DATE	REV
		10/18	1