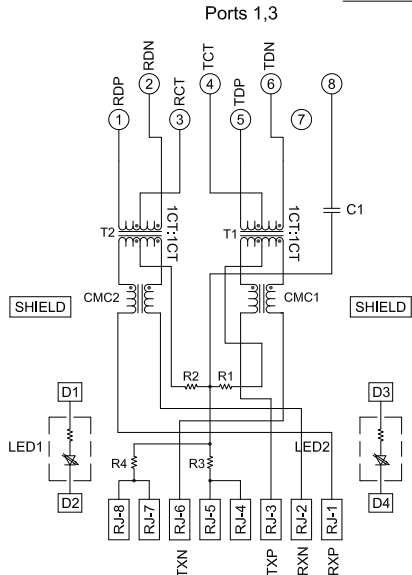
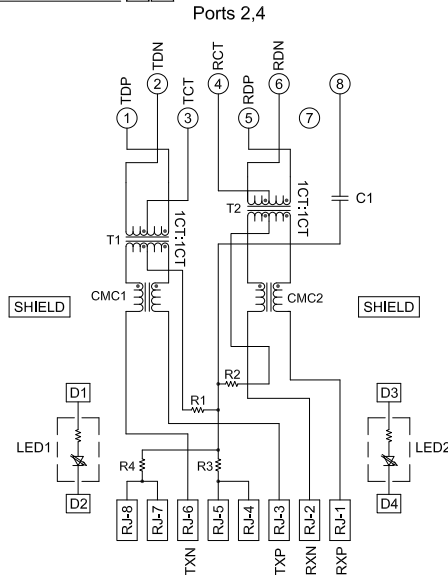


766K1 SERIES MAGNETIC CIRCUIT

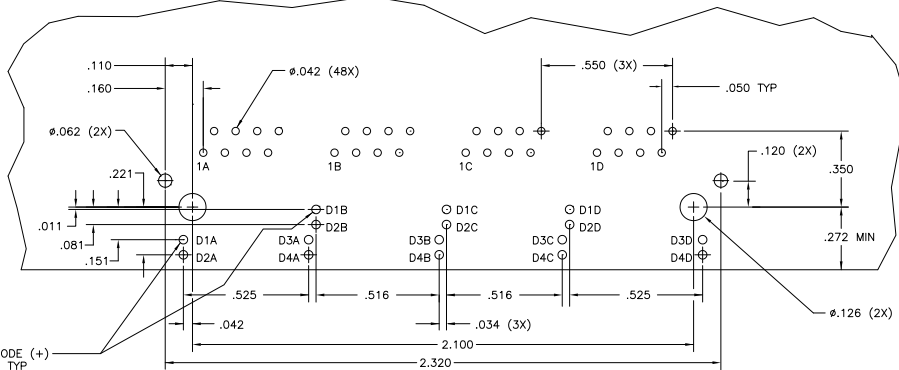
REV	DATE	DESCRIPTION	BY	CHK	APP
AA	22				
		SEE SHEET 1			



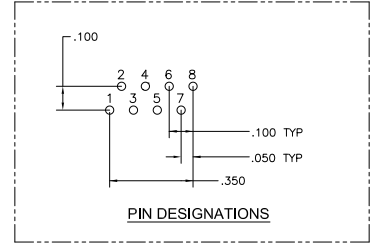
C1 = 1000pF, 2kV CAPACITOR
R1-R4 = 75 OHMS, 1/16 W RESISTORS



C1 = 1000pF, 2kV CAPACITOR
R1-R4 = 75 OHMS, 1/16 W RESISTORS



SUGGESTED PCB LAYOUT
(Component Side)



PIN DESIGNATIONS

THIS DRAWING IS A CONTROLLED DOCUMENT.		REV	DATE	DESCRIPTION	BY	CHK	APP
UNLESS OTHERWISE SPECIFIED:		AA	22				
UNLESS OTHERWISE SPECIFIED:	UNIT: MILLIMETERS	Tolerances:					
FINISH:	AS MANUFACTURED	FRACTIONAL DECIMALS					
WELDING:	AS MANUFACTURED	FRACTIONAL DECIMALS					
THREADS:	AS MANUFACTURED	FRACTIONAL DECIMALS					
PLATING:	AS MANUFACTURED	FRACTIONAL DECIMALS					
COATING:	AS MANUFACTURED	FRACTIONAL DECIMALS					
PROTECTIVE COATING:	AS MANUFACTURED	FRACTIONAL DECIMALS					
UNLESS OTHERWISE SPECIFIED:	UNIT: MILLIMETERS	Tolerances:					
FINISH:	AS MANUFACTURED	FRACTIONAL DECIMALS					
WELDING:	AS MANUFACTURED	FRACTIONAL DECIMALS					
THREADS:	AS MANUFACTURED	FRACTIONAL DECIMALS					
PLATING:	AS MANUFACTURED	FRACTIONAL DECIMALS					
COATING:	AS MANUFACTURED	FRACTIONAL DECIMALS					
PROTECTIVE COATING:	AS MANUFACTURED	FRACTIONAL DECIMALS					
CUSTOMER DRAWING		REV	DATE	DESCRIPTION	BY	CHK	APP
		A1	00779	6610054			