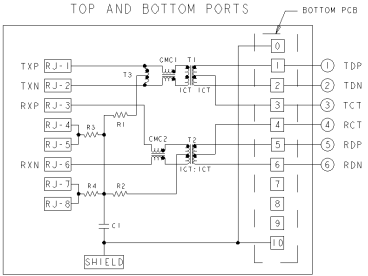


S814 MAGNETIC CIRCUIT STACKED

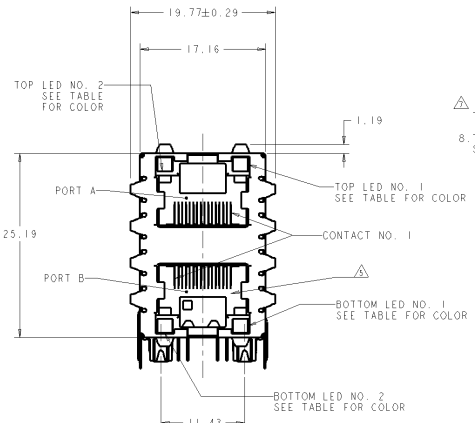
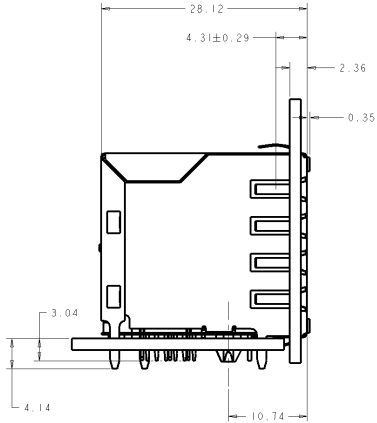


REV	DATE	DESCRIPTION	BY	CHK	APP
1		NEW RELEASE			
2	10-09-022004				

MATERIALS:
 PLASTIC HOUSING: BLACK, THERMOPLASTIC FLAMMABILITY RATING UL 94V-0
 SHIELD: BRASS, PLATED WITH 0.76 µm SEMI-BRIGHT NICKEL, POST DIPPED WITH 2.54 µm MIN SAC SOLDER ON SOLDER TAILS
 CONTACTS: PHOSPHOR BRONZE, 1.27 µm MIN OVERALL NICKEL UNDER PLATE WITH SELECT 1.27 µm MIN GOLD AT MATING INTERFACE AND 2.54 µm MIN MATTIE TIN ON SOLDER TAILS
 LED: DIFFUSED EPOXY LENS, CARBON STEEL LEAD FRAME, LEADS PREPLATED WITH 2.03 µm MIN SILVER OVER 1.02 µm MIN NICKEL UNDERPLATE OVER 1.02 µm MIN COPPER UNDERPLATE, POST-PLATED WITH 2.54 µm MIN MATTIE TIN AND/OR SAC SOLDER DIP OR PURE TIN SOLDER DIP
 INTERNAL MAGNETICS PC BOARD: HIGH TEMP PCB, TG > 170°C

MAGNETICS
 APPLICATION: 10/100 BASE-T
 IMPEDANCE: 100 OHMS
 TURNS RATIO (CHIP-CABLE): TX = 1:1, RX = 1:1
 OPEN CIRCUIT INDUCTANCE (OCL): 350µH MIN @100kHz, 0.1VRMS, 8mADC BIAS FROM 0°C TO 70°C, TX AND RX
 PERFORMANCE @ 25°C:
 INSERTION LOSS (IL): 1.1dB MAX FROM 0.5MHz TO 100MHz
 RETURN LOSS (RL): 18dB MIN FROM 0.5MHz TO 30MHz
 18-20LOG(F/30)dB MIN FROM 30.1MHz TO 60MHz
 12dB MIN FROM 60.1MHz TO 30MHz
 CROSSTALK ATTENUATION: 35dB MIN FROM 0.5MHz TO 40MHz
 33-20LOG(F/50)dB MIN FROM 40.1MHz TO 100MHz
 COMMON MODE REJECTION RATIO (CMRR): 30dB MIN FROM 0.5MHz TO 100MHz
 ISOLATION VOLTAGE: COMPLIES WITH IEEE802.3 2002, PARA 23.5.1.1, ITEM b.

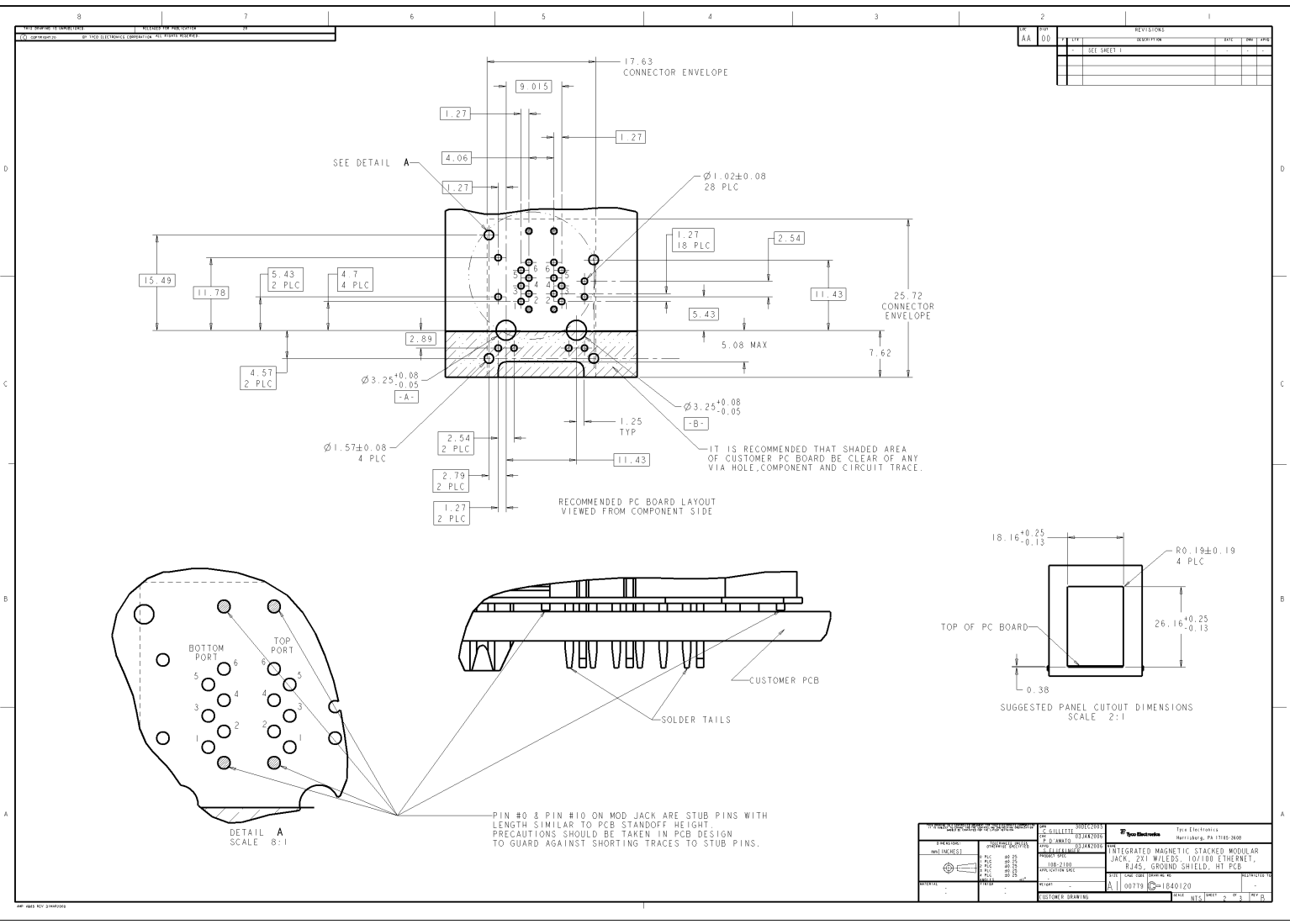
- PART NO., DATE CODE, COUNTRY OF ORIGIN, TYCO ELECTRONICS, PRODUCT, AND AGENCY APPROVAL LOGOS TO BE MARKED IN APPROX LOCATION SHOWN.
- OPERATING TEMPERATURE: FROM 0° C TO + 70° C.
- RJ45 CAVITY CONFORMS TO FCC RULES AND REGULATION PART 68 SUBPART F.
- LED'S COMPLIANT WITH IEC60825-1 SAFETY OF LASER PRODUCTS WHEN OPERATED AT CURRENT OF 20 mA MAX.
 LED IS DRIVEN WITH CONSTANT CURRENT AT APPROX 20mA.
 LED COLOR:
 DOMINANT WAVELENGTH (λD): GREEN 568 nm TYP @IF=20mA
 FORWARD VOLTAGE (VF): GREEN 2.2V TYP @IF=20mA
 DOMINANT WAVELENGTH (λD): YELLOW 588 nm TYP @IF=20mA
 FORWARD VOLTAGE (VF): YELLOW 2.1V TYP @IF=20mA
- INDICATED CONNECTIONS ARE FOR NIC CONFIGURATION. THE MAGNETICS ARE ASYMMETRICAL AND DO NOT SUPPORT AUTO-MDI/MDIX.
- THESE PARTS ARE RECOMMENDED FOR WAVE SOLDERING PROCESS. PEAK SOLDERING TEMPERATURE IS 260°C MAX, 10 SECONDS MAX.



GRN/YEL	GRN/YEL	GRN/YEL	GRN/YEL	1840120-4
GREEN	YELLOW	GREEN	YELLOW	1840120-3
YELLOW	GREEN	GREEN	YELLOW	1840120-2
GREEN	GREEN	GREEN	GREEN	1840120-1

BOTTOM LED NO. 2	BOTTOM LED NO. 1	TOP LED NO. 2	TOP LED NO. 1	PART NO.

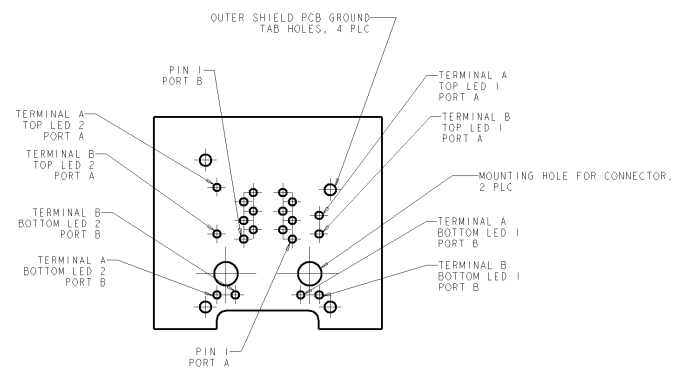
TYCO ELECTRONICS
 1840120-1
 INTEGRATED MAGNETIC STACKED MODULAR JACK, 2X1 W/LEDS, 10/100 ETHERNET, R/AS, GROUND SHIELD, HT PCB
 08719 1840120
 DATE: 10/09/04



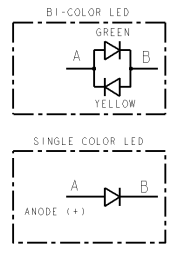
TECHNICAL SPECIFICATIONS INTEGRATED MAGNETIC STACKED MODULAR JACK, 2X1 WALEDS, 10/100 ETHERNET, RIAS, GROUND SHIELD, HT PCB		Rev Electronics Part No. 1640120
REV AA QTY 00 DATE 08/19/16 BY NLS CHECKED JMS	DESCRIPTION CUSTOMER DRAWING	REV 00000000 QTY 00000000 DATE 08/19/16 BY NLS CHECKED JMS

ALL DIMENSIONS UNLESS OTHERWISE SPECIFIED ARE IN MILLIMETERS
 UNLESS OTHERWISE SPECIFIED, ALL DIMENSIONS ARE TO CENTER

REV		DESCRIPTION	DATE	BY	CHKD
AA	01	SEE SHEET 1			



LED HOLE DESIGNATIONS VIEWED FROM COMPONENT SIDE
 SCALE: 4:1



TECHNICAL SPECIFICATIONS 1. DIMENSIONS 2. WEIGHT 3. MATERIALS 4. FINISHES 5. TOLERANCES 6. SURFACE FINISH 7. COATING 8. MARKING 9. STORAGE 10. HANDLING		REV AA 01 DATE: 08/19/2019 BY: [Signature] CHKD: [Signature]		DESCRIPTION INTEGRATED MAGNETIC STACKED MODULAR JACK 2X1 WALED 10/100 ETHERNET, RJ45, GROUND SHIELD, HT PCB	
PROPERTIES 1. DIMENSIONS 2. WEIGHT 3. MATERIALS 4. FINISHES 5. TOLERANCES 6. SURFACE FINISH 7. COATING 8. MARKING 9. STORAGE 10. HANDLING		REV AA 01 DATE: 08/19/2019 BY: [Signature] CHKD: [Signature]		DESCRIPTION INTEGRATED MAGNETIC STACKED MODULAR JACK 2X1 WALED 10/100 ETHERNET, RJ45, GROUND SHIELD, HT PCB	
PROPERTIES 1. DIMENSIONS 2. WEIGHT 3. MATERIALS 4. FINISHES 5. TOLERANCES 6. SURFACE FINISH 7. COATING 8. MARKING 9. STORAGE 10. HANDLING		REV AA 01 DATE: 08/19/2019 BY: [Signature] CHKD: [Signature]		DESCRIPTION INTEGRATED MAGNETIC STACKED MODULAR JACK 2X1 WALED 10/100 ETHERNET, RJ45, GROUND SHIELD, HT PCB	