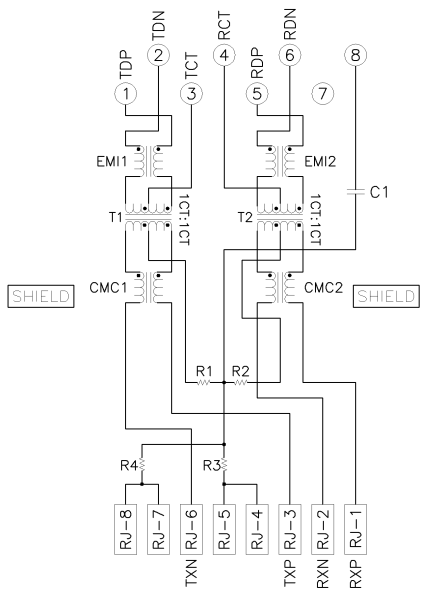
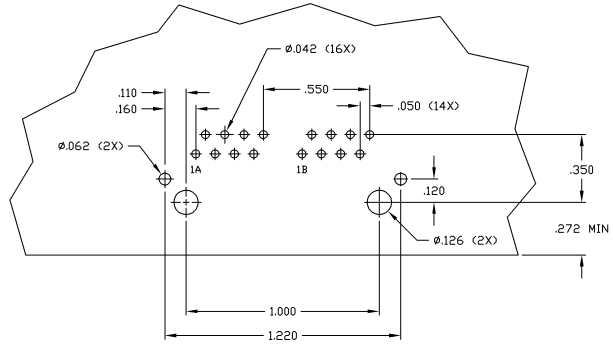
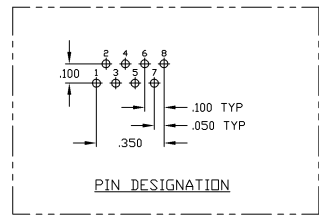




746 SERIES MAGNETIC CIRCUIT  $\Delta$  3,6



C1 = 1000 pF, 2kV DECOUPLING CAPACITOR  
 R1-R4 = 75 OHMS, 1/16 W RESISTORS



SUGGESTED PCB LAYOUT  
 (Component Side)

THIS DRAWING IS A CONTROLLED DOCUMENT		REV. 2	DATE	AA	22	REVISIONS	DATE	BY	APPV
DESCRIPTION		REV. 1	DATE	AA	22	SEC SHEET 1			
DRAWN BY		REV. 2	DATE	AA	22				
CHECKED BY		REV. 1	DATE	AA	22				
APPROVED BY		REV. 2	DATE	AA	22				
TITLE		REV. 1	DATE	AA	22				
PART NO.		REV. 2	DATE	AA	22				
MATERIAL		REV. 1	DATE	AA	22				
QUANTITY		REV. 2	DATE	AA	22				
SCALE		REV. 1	DATE	AA	22				
SHEET		REV. 2	DATE	AA	22				
OF		REV. 1	DATE	AA	22				
CUSTOMER DRAWING		REV. 2	DATE	AA	22				
PART NO.		REV. 1	DATE	AA	22				
MATERIAL		REV. 2	DATE	AA	22				
QUANTITY		REV. 1	DATE	AA	22				
SCALE		REV. 2	DATE	AA	22				
SHEET		REV. 1	DATE	AA	22				
OF		REV. 2	DATE	AA	22				