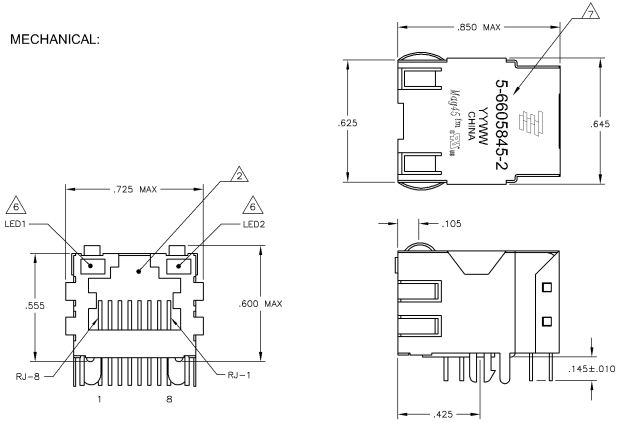
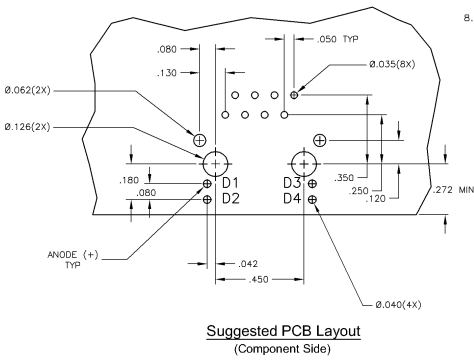
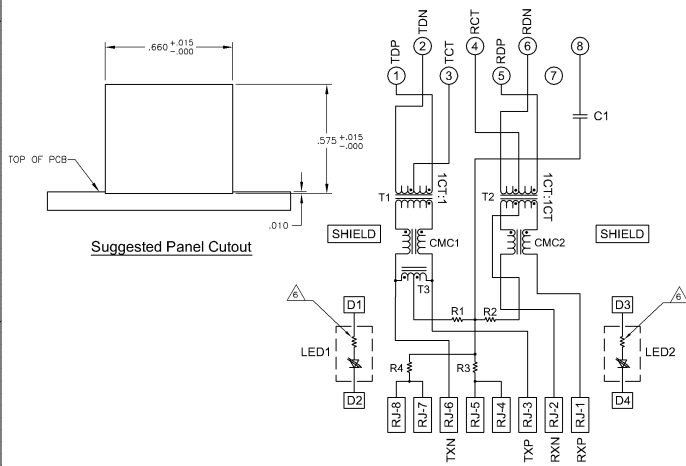


MECHANICAL:



ELECTRICAL:
754ETP8 SERIES MAGNETIC CIRCUIT



- △ MATERIALS:
 - HOUSING - THERMOPLASTIC PET POLYESTER FLAMMABILITY RATING UL 94V-0
 - SHIELD - .010" THICK C26800 BRASS PREPLATED WITH 30μINCH MIN SEMI-BRIGHT NICKEL. SOLDER TABS POST DIPPED WITH 80μINCH MIN SAC SOLDER.
 - MOD JACK CONTACTS - 0.0157" x 0.018" PHOSPHOR BRONZE, 50μINCH MIN OVERALL NICKEL UNDERPLATE, WITH SELECT 50μINCH MIN HARD GOLD FINISH PLATE.
 - SOLDER TAILS WITH 100μINCH MIN MATTE TIN AND/OR SAC SOLDER DIP.
 - LIGHT EMITTING DIODE(LED) - DIFFUSED EPOXY LENS, .020" x .020" CARBON STEEL WIREFRAME LEADS PRE-PLATED WITH 50μINCH SILVER OVER 40μINCH NICKEL UNDERPLATE OVER 40μINCH COPPER UNDERPLATE, POST-PLATED WITH 100μINCH MIN MATTE TIN AND/OR SAC SOLDER DIP OR PURE TIN SOLDER DIP.
- △ RJ45 JACK CAVITY CONFORMS TO FCC RULES AND REGULATIONS PART 68, SUB PART F.
- △ MAGNETICS
 - IMPEDANCE: 100 OHMS
 - TURNS RATIO (CHP-CABLE): TX = 11, RX = 11
 - OPEN CIRCUIT INDUCTANCE (OCL): 350μH MIN @100kHz, 0.1VRMS, 8mADC BIAS FROM -40°C TO +85°C, TX AND RX
 - PERFORMANCE @ 25°C:
 - INSERTION LOSS (IL): 1.1dB MAX FROM 0.5MHz TO 100MHz
 - RETURN LOSS (RL): 18dB MIN FROM 0.5MHz TO 30MHz
 - 18-20LOG(f/30)dB MIN FROM 30MHz TO 60MHz
 - 12dB MIN FROM 60MHz TO 80MHz
 - CROSSTALK ATTENUATION: 35dB MIN FROM 0.5MHz TO 40MHz
 - 33-20+LOG(f/50)dB MIN FROM 40MHz TO 100MHz
 - COMMON MODE REJECTION RATIO (CMRR): 30dB MIN FROM 0.5MHz TO 100MHz
 - ISOLATION VOLTAGE: COMPLIES WITH IEEE802.3 2002, PARA 23.5.11, ITEM 1b.
- 4. OPERATING TEMPERATURE: FROM -40°C TO +85°C INDUSTRIAL TEMPERATURE RATED
- △ INDICATED CONNECTIONS ARE FOR HUB CONFIGURATION. THE MAGNETICS ARE ASYMMETRICAL, AND ARE NOT AUTO-MOD/MDX CAPABLE.
- △ LEADS WITH BUILT-IN RESISTOR
 - LEDS ARE DRIVEN WITH 5V VOLTAGE AND THE MAX OPERATING CURRENT IS 20mA.
 - LED COLOR: DOMINANT WAVELENGTH (λD): GREEN 568 nm TYP @ VF=5V
 - FORWARD CURRENT (IF) GREEN 12mA TYP @ VF=5V
 - DOMINANT WAVELENGTH (λD): YELLOW 588 nm TYP @ VF=5V
 - FORWARD CURRENT (IF) YELLOW 13mA TYP @ VF=5V
- △ TYCO ELECTRONICS LOGO, PART NUMBER, DATE CODE, COUNTRY OF ORIGIN AND AGENCY APPROVAL MARKING IN APPROXIMATE LOCATION SHOWN.
- 8. THE PART IS RECOMMENDED FOR WAVE SOLDERING PROCESS, PREHEAT TEMPERATURE IS 100°C TO 150°C, 120 SECONDS TO 180 SECONDS, PEAK WAVE SOLDERING TEMPERATURE IS 260°C MAX, 10 SECONDS MAX.

C1= 1000μF, 2kV DECOUPLING CAPACITOR
R1-R4 = 75 OHMS, 1/16 W RESISTORS

THIS DRAWING IS A CONTROLLED DOCUMENT. IT IS THE PROPERTY OF TYCO ELECTRONICS. IT IS TO BE KEPT IN CONFIDENCE AND NOT TO BE REPRODUCED OR TRANSMITTED IN ANY FORM OR BY ANY MEANS, ELECTRONIC OR MECHANICAL, INCLUDING PHOTOCOPYING, RECORDING, OR BY ANY INFORMATION STORAGE AND RETRIEVAL SYSTEM.		REV. 22		REV. DATE		REV. BY		REV. FOR	
INDICATIONS:		SYMBOLS:		DIMENSIONS:		MATERIALS:		FINISHES:	
NONE		NONE		NONE		NONE		NONE	
DATE		BY		CHECKED		APPROVED		REVISIONS	
DATE		BY		CHECKED		APPROVED		REV. NO.	
DATE		BY		CHECKED		APPROVED		REV. DATE	
DATE		BY		CHECKED		APPROVED		REV. BY	
DATE		BY		CHECKED		APPROVED		REV. FOR	
DATE		BY		CHECKED		APPROVED		REV. NO.	
DATE		BY		CHECKED		APPROVED		REV. DATE	
DATE		BY		CHECKED		APPROVED		REV. BY	
DATE		BY		CHECKED		APPROVED		REV. FOR	
DATE		BY		CHECKED		APPROVED		REV. NO.	
DATE		BY		CHECKED		APPROVED		REV. DATE	
DATE		BY		CHECKED		APPROVED		REV. BY	
DATE		BY		CHECKED		APPROVED		REV. FOR	
DATE		BY		CHECKED		APPROVED		REV. NO.	
DATE		BY		CHECKED		APPROVED		REV. DATE	
DATE		BY		CHECKED		APPROVED		REV. BY	
DATE		BY		CHECKED		APPROVED		REV. FOR	
DATE		BY		CHECKED		APPROVED		REV. NO.	
DATE		BY		CHECKED		APPROVED		REV. DATE	
DATE		BY		CHECKED		APPROVED		REV. BY	
DATE		BY		CHECKED		APPROVED		REV. FOR	
DATE		BY		CHECKED		APPROVED		REV. NO.	
DATE		BY		CHECKED		APPROVED		REV. DATE	
DATE		BY		CHECKED		APPROVED		REV. BY	
DATE		BY		CHECKED		APPROVED		REV. FOR	
DATE		BY		CHECKED		APPROVED		REV. NO.	
DATE		BY		CHECKED		APPROVED		REV. DATE	
DATE		BY		CHECKED		APPROVED		REV. BY	
DATE		BY		CHECKED		APPROVED		REV. FOR	
DATE		BY		CHECKED		APPROVED		REV. NO.	
DATE		BY		CHECKED		APPROVED		REV. DATE	
DATE		BY		CHECKED		APPROVED		REV. BY	
DATE		BY		CHECKED		APPROVED		REV. FOR	
DATE		BY		CHECKED		APPROVED		REV. NO.	
DATE		BY		CHECKED		APPROVED		REV. DATE	
DATE		BY		CHECKED		APPROVED		REV. BY	
DATE		BY		CHECKED		APPROVED		REV. FOR	
DATE		BY		CHECKED		APPROVED		REV. NO.	
DATE		BY		CHECKED		APPROVED		REV. DATE	
DATE		BY		CHECKED		APPROVED		REV. BY	
DATE		BY		CHECKED		APPROVED		REV. FOR	
DATE		BY		CHECKED		APPROVED		REV. NO.	
DATE		BY		CHECKED		APPROVED		REV. DATE	
DATE		BY		CHECKED		APPROVED		REV. BY	
DATE		BY		CHECKED		APPROVED		REV. FOR	
DATE		BY		CHECKED		APPROVED		REV. NO.	
DATE		BY		CHECKED		APPROVED		REV. DATE	
DATE		BY		CHECKED		APPROVED		REV. BY	
DATE		BY		CHECKED		APPROVED		REV. FOR	
DATE		BY		CHECKED		APPROVED		REV. NO.	
DATE		BY		CHECKED		APPROVED		REV. DATE	
DATE		BY		CHECKED		APPROVED		REV. BY	
DATE		BY		CHECKED		APPROVED		REV. FOR	
DATE		BY		CHECKED		APPROVED		REV. NO.	
DATE		BY		CHECKED		APPROVED		REV. DATE	
DATE		BY		CHECKED		APPROVED		REV. BY	
DATE		BY		CHECKED		APPROVED		REV. FOR	
DATE		BY		CHECKED		APPROVED		REV. NO.	
DATE		BY		CHECKED		APPROVED		REV. DATE	
DATE		BY		CHECKED		APPROVED		REV. BY	
DATE		BY		CHECKED		APPROVED		REV. FOR	
DATE		BY		CHECKED		APPROVED		REV. NO.	
DATE		BY		CHECKED		APPROVED		REV. DATE	
DATE		BY		CHECKED		APPROVED		REV. BY	
DATE		BY		CHECKED		APPROVED		REV. FOR	
DATE		BY		CHECKED		APPROVED		REV. NO.	
DATE		BY		CHECKED		APPROVED		REV. DATE	
DATE		BY		CHECKED		APPROVED		REV. BY	
DATE		BY		CHECKED		APPROVED		REV. FOR	
DATE		BY		CHECKED		APPROVED		REV. NO.	
DATE		BY		CHECKED		APPROVED		REV. DATE	
DATE		BY		CHECKED		APPROVED		REV. BY	
DATE		BY		CHECKED		APPROVED		REV. FOR	
DATE		BY		CHECKED		APPROVED		REV. NO.	
DATE		BY		CHECKED		APPROVED		REV. DATE	
DATE		BY		CHECKED		APPROVED		REV. BY	
DATE		BY		CHECKED		APPROVED		REV. FOR	
DATE		BY		CHECKED		APPROVED		REV. NO.	
DATE		BY		CHECKED		APPROVED		REV. DATE	
DATE		BY		CHECKED		APPROVED		REV. BY	
DATE		BY		CHECKED		APPROVED		REV. FOR	
DATE		BY		CHECKED		APPROVED		REV. NO.	
DATE		BY		CHECKED		APPROVED		REV. DATE	
DATE		BY		CHECKED		APPROVED		REV. BY	
DATE		BY		CHECKED		APPROVED		REV. FOR	
DATE		BY		CHECKED		APPROVED		REV. NO.	
DATE		BY		CHECKED		APPROVED		REV. DATE	
DATE		BY		CHECKED		APPROVED		REV. BY	
DATE		BY		CHECKED		APPROVED		REV. FOR	
DATE		BY		CHECKED		APPROVED		REV. NO.	
DATE		BY		CHECKED		APPROVED		REV. DATE	
DATE		BY		CHECKED		APPROVED		REV. BY	
DATE		BY		CHECKED		APPROVED		REV. FOR	
DATE		BY		CHECKED		APPROVED		REV. NO.	
DATE		BY		CHECKED		APPROVED		REV. DATE	
DATE		BY		CHECKED		APPROVED		REV. BY	
DATE		BY		CHECKED		APPROVED		REV. FOR	
DATE		BY		CHECKED		APPROVED		REV. NO.	
DATE		BY		CHECKED		APPROVED		REV. DATE	
DATE		BY		CHECKED		APPROVED		REV. BY	
DATE		BY		CHECKED		APPROVED		REV. FOR	
DATE		BY		CHECKED		APPROVED		REV. NO.	
DATE		BY		CHECKED		APPROVED		REV. DATE	
DATE		BY		CHECKED		APPROVED		REV. BY	
DATE		BY		CHECKED		APPROVED		REV. FOR	
DATE		BY		CHECKED		APPROVED		REV. NO.	
DATE		BY		CHECKED		APPROVED		REV. DATE	
DATE		BY		CHECKED		APPROVED		REV. BY	
DATE		BY		CHECKED		APPROVED		REV. FOR	
DATE		BY		CHECKED		APPROVED		REV. NO.	
DATE		BY		CHECKED		APPROVED		REV. DATE	
DATE		BY		CHECKED		APPROVED		REV. BY	
DATE		BY		CHECKED		APPROVED		REV. FOR	
DATE		BY		CHECKED		APPROVED		REV. NO.	
DATE		BY		CHECKED		APPROVED		REV. DATE	
DATE		BY		CHECKED		APPROVED		REV. BY	
DATE		BY		CHECKED		APPROVED		REV. FOR	
DATE		BY		CHECKED		APPROVED		REV. NO.	
DATE		BY		CHECKED		APPROVED		REV. DATE	
DATE		BY		CHECKED		APPROVED		REV. BY	
DATE		BY		CHECKED		APPROVED		REV. FOR	
DATE		BY		CHECKED		APPROVED		REV. NO.	
DATE		BY		CHECKED		APPROVED		REV. DATE	
DATE		BY		CHECKED		APPROVED		REV. BY	
DATE		BY		CHECKED		APPROVED		REV. FOR	
DATE		BY		CHECKED		APPROVED		REV. NO.	
DATE		BY		CHECKED		APPROVED		REV. DATE	
DATE		BY		CHECKED		APPROVED		REV. BY	
DATE		BY		CHECKED		APPROVED		REV. FOR	
DATE		BY		CHECKED		APPROVED		REV. NO.	
DATE		BY		CHECKED		APPROVED		REV. DATE	
DATE		BY		CHECKED		APPROVED		REV. BY	
DATE		BY		CHECKED		APPROVED		REV. FOR	
DATE		BY		CHECKED		APPROVED		REV. NO.	
DATE		BY		CHECKED		APPROVED		REV. DATE	
DATE		BY		CHECKED		APPROVED		REV. BY	
DATE		BY		CHECKED		APPROVED		REV. FOR	
DATE		BY		CHECKED		APPROVED		REV. NO.	
DATE		BY		CHECKED		APPROVED		REV. DATE	
DATE		BY		CHECKED		APPROVED		REV. BY	
DATE		BY		CHECKED		APPROVED		REV. FOR	
DATE		BY		CHECKED		APPROVED		REV. NO.	
DATE		BY		CHECKED		APPROVED		REV. DATE	
DATE		BY		CHECKED		APPROVED		REV. BY	
DATE		BY		CHECKED		APPROVED		REV. FOR	
DATE		BY		CHECKED		APPROVED		REV. NO.	
DATE		BY		CHECKED		APPROVED		REV. DATE	
DATE		BY		CHECKED		APPROVED		REV. BY	
DATE		BY		CHECKED		APPROVED		REV. FOR	
DATE		BY		CHECKED		APPROVED		REV. NO.	
DATE		BY		CHECKED		APPROVED		REV. DATE	
DATE		BY		CHECKED		APPROVED		REV. BY	
DATE		BY		CHECKED		APPROVED		REV. FOR	
DATE		BY		CHECKED		APPROVED		REV. NO.	
DATE		BY		CHECKED		APPROVED		REV. DATE	
DATE		BY		CHECKED		APPROVED		REV. BY	
DATE		BY		CHECKED		APPROVED		REV. FOR	
DATE		BY		CHECKED		APPROVED		REV. NO.	
DATE		BY		CHECKED		APPROVED		REV. DATE	
DATE		BY		CHECKED		APPROVED		REV. BY	
DATE		BY		CHECKED		APPROVED		REV. FOR	
DATE		BY		CHECKED		APPROVED		REV. NO.	
DATE		BY		CHECKED		AP			