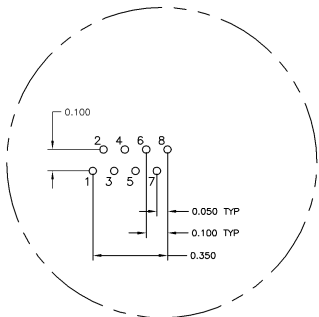
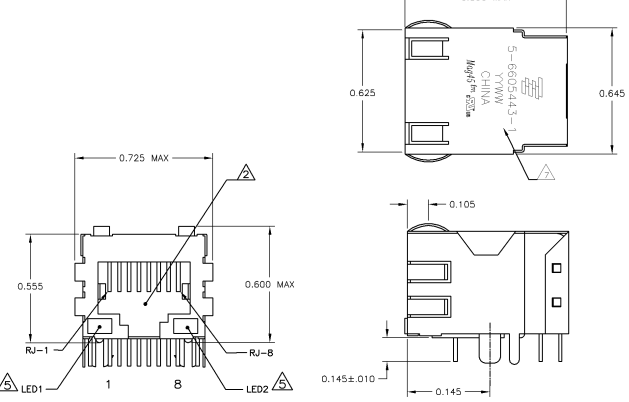
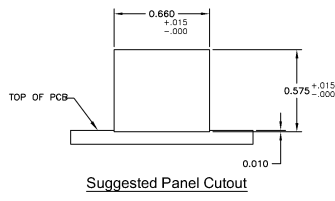


**MECHANICAL:**

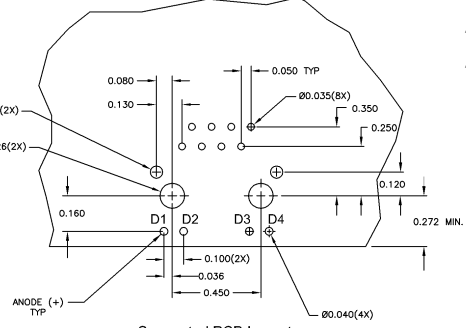
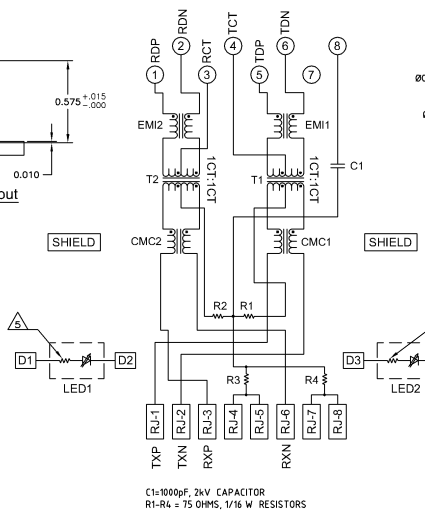


**Pin Designations**

**406ET SERIES MAGNETIC CIRCUIT**



**Suggested Panel Cutout**



**Suggested PCB Layout (Component Side)**

- △ MATERIALS:  
HOUSING - THERMOPLASTIC PET POLYESTER FLAMMABILITY RATING UL 94V-0  
SHIELD - 0.01" THICK C28800 BRASS PREPLATED WITH 30µINCH SEMI-BRIGHT NICKEL. SOLDER TABS POST DIPPED WITH 100µINCH MIN SAC SOLDER  
MOD JACK CONTACTS - 0.0157 x 0.018" PHOSPHOR BRONZE, 50µINCH MIN OVERALL NICKEL UNDERPLATE, WITH SELECT 50µINCH MIN HARD GOLD FINISH PLATE  
SOLDER TABS WITH 100µINCH MIN MATTE TIN AND/OR SAC SOLDER DIP  
LIGHT EMITTING DIODE(LED) - DIFFUSED EPOXY LENS, 0.20" x 0.20" CARBON STEEL WIREFRAME LEADS PRE-PLATED WITH 80µINCH SILVER OVER 40µINCH NICKEL UNDERPLATE OVER 40µINCH COPPER UNDERPLATE, POST-PLATED WITH 100µINCH MIN MATTE TIN AND/OR SAC SOLDER DIP OR PURE TIN SOLDER DIP.
- △ RJ45 JACK CAVITY CONFORMS TO FCC RULES AND REGULATIONS PART 68, SUB PART F
- △ MAGNETICS  
-IMPEDANCE 100 OHMS  
-TURNS RATIO (CHIP CABLE) TX = 11, RX = 11  
-OPEN CIRCUIT INDUCTANCE (OCL) 350µH MIN @ 100kHz, 0.1V RMS, 8mA DC BIAS FROM -40°C TO +85°C, TX AND RX  
-PERFORMANCE @ 25°C  
INSERTION LOSS (IL) 11dB MAX FROM 0.5MHz TO 100MHz  
RETURN LOSS (RL) 18dB MIN FROM 0.5MHz TO 30MHz  
18-20LOG(SFR) 20dB MIN FROM 10.1MHz TO 60MHz  
12dB MIN FROM 60.1MHz TO 80MHz  
CROSSTALK ATTENUATION 35dB MIN FROM 0.5MHz TO 40MHz  
33-20\*LOG(I/S) 50dB MIN FROM 4.01MHz TO 100MHz  
COMMON MODE REJECTION RATIO (CMRR) 30dB MIN FROM 0.5MHz TO 100MHz  
-ISOLATION VOLTAGE COMPLIES WITH IEEE802.3 2002, PARA 235.11, ITEM B
- 4. OPERATING TEMPERATURE FROM -40°C - +85°C
- △ LED WITH 250 OHM RESISTORS LED IS DRIVEN WITH 5V VOLTAGE AND THE MAX OPERATING CURRENT IS 20mA.  
LED COLOR DOMINANT WAVELENGTH (AD) GREEN 568 nm TYP @ VF=5V  
FORWARD CURRENT (IF) GREEN 12 mA TYP @ VF=5V  
DOMINANT WAVELENGTH (AD) YELLOW 588 nm TYP @ VF=5V  
FORWARD CURRENT (IF) YELLOW 13 mA TYP @ VF=5V
- △ INDICATED CONNECTIONS ARE FOR NIC CONFIGURATION. THE MAGNETICS ARE SYMMETRICAL, AND THEREFORE SUPPORT AUTO-INDIVIDUAL.
- △ TYCO ELECTRONICS LOGO, PART NUMBER, DATE CODE, COUNTRY OF ORIGIN AND AGENCY APPROVAL MARKING IN APPROXIMATE LOCATION SHOWN.
- 8. THE PART IS RECOMMENDED FOR WAVE SOLDERING PROCESS. PREHEAT TEMPERATURE IS 120°C TO 160°C, 120 SECONDS TO 180 SECONDS. PEAK SOLDERING TEMPERATURE IS 260 °C MAX, 10 SECONDS MAX.

C1=1000pF, 2kV CAPACITOR  
R1-R4 = 75 OHMS, 1/16 W RESISTORS

		GREEN	YELLOW	5-6605443-1
		LED1	LED2	PART NUMBER
THIS DRAWING IS A CONTROLLED DOCUMENT. IT IS THE PROPERTY OF TYCO ELECTRONICS CORPORATION. IT IS TO BE KEPT IN CONFIDENCE AND NOT TO BE REPRODUCED OR TRANSMITTED IN ANY FORM OR BY ANY MEANS, ELECTRONIC OR MECHANICAL, INCLUDING PHOTOCOPYING, RECORDING, OR BY ANY INFORMATION STORAGE AND RETRIEVAL SYSTEM. WITHOUT THE WRITTEN PERMISSION OF TYCO ELECTRONICS CORPORATION.				
DESIGNED BY	DATE	REVISED BY	DATE	REVISION
108-7100				
REVISED BY	DATE	REVISED BY	DATE	REVISION
A1	00779	C	6605443	
CUSTOMER DRAWING		DATE	NTS	REV 1