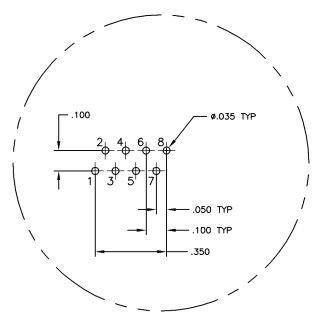
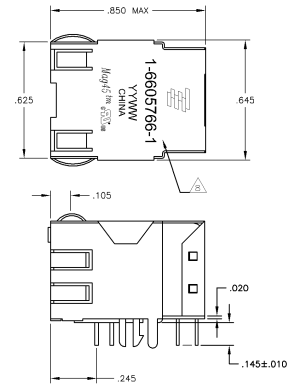
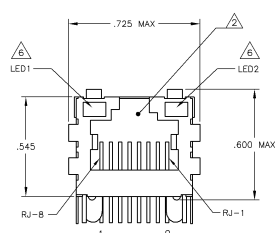


REV	DATE	REVISIONS	BY	CHK	APP
AA	22	REV PER EDO-08-011728			
B					

MECHANICAL:



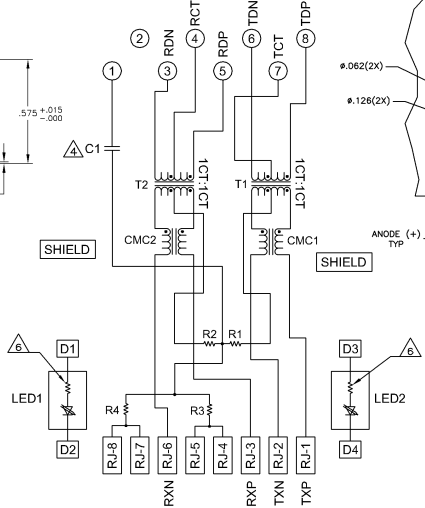
Pin Designations

- △ MATERIALS
 - HOUSING - THERMOPLASTIC PET POLYESTER FLAMMABILITY RATING UL 94V-0
 - SHIELD - .010" THICK, C26800 BRASS PREPLATED WITH 30μINCH MIN SEMI-BRIGHT NICKEL. SOLDER TABS POST DIPPED WITH 10μINCH MIN SAC SOLDER.
 - MOD JACK CONTACTS - 0.0157" x 0.018" PHOSPHOR BRONZE, 50μINCH MIN OVERALL NICKEL UNDERPLATE, WITH SELECT 50μINCH MIN HARD GOLD FINISH PLATE
 - SOLDER TABS WITH 10μINCH MIN MATTE TIN AND/OR SAC SOLDER DIP
 - LIGHT EMITTING DIODE(LED) - DIFFUSED EPOXY LENS, 020" x 020" CARBON STEEL WIREFRAME LEADS PRE-PLATED WITH 80μINCH SILVER OVER 40μINCH NICKEL UNDERPLATE OVER 40μINCH COPPER UNDERPLATE, POST-PLATED WITH 10μINCH MIN MATTE TIN AND/OR SAC SOLDER DIP OR PURE TIN SOLDER DIP
- △ RJ45 JACK CAVITY CONFORMS TO FCC RULES AND REGULATIONS PART 68, SUB PART F
- △ MAGNETICS
 - IMPEDANCE 100 OHMS
 - TURNS RATIO (OHP CABLE) TX x 11, RX x 11
 - OPEN CIRCUIT INDUCTANCE (OCL) 350nH MIN @ 100MHz, 0 IVRMS, 8mADC BIAS FROM 0°C TO 70°C, TX AND RX
 - PERFORMANCE @ 25°C
 - INSERTION LOSS (IL) 11dB MAX FROM 0.5MHz TO 100MHz
 - RETURN LOSS (RL) 18dB MIN FROM 0.5MHz TO 30MHz
 - 18-20dBG/30dB MIN FROM 30 MHz TO 60MHz
 - 12dB MIN FROM 60 MHz TO 80MHz
 - CROSSTALK ATTENUATION: 35dB MIN FROM 0.5MHz TO 40MHz
 - 33-20*dBG/50dB MIN FROM 40 MHz TO 100MHz
 - COMMON MODE REJECTION RATIO (CMRR): 30dB MIN FROM 0.5MHz TO 100MHz
 - ISOLATION VOLTAGE: COMPLIES WITH IEEE802.3 2002, PARA 23.5.1.1, ITEM B
- △ CIS IS AN OPTIONAL IF NOT CAPACITOR, TRACE IS CONTINUOUS
- 5. OPERATING TEMPERATURE FROM 0° TO -70°C

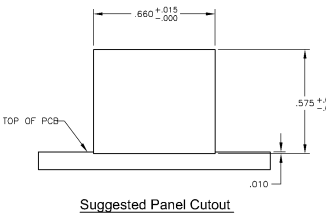
- △ THE 250 OHM LED RESISTORS ARE OPTIONAL, PLEASE SEE CHART FOR PRESENCE OR ABSENCE OF LED RESISTORS. IF THE LED WITHOUT 250 OHM RESISTORS, LED IS DRIVEN WITH CONSTANT CURRENT AT APPROX 20mA
- LED COLOR: DOMINANT WAVELENGTH (λD): GREEN 568 nm TYP. @ IF=20mA
- FORWARD VOLTAGE (VF): GREEN 2.2V TYP. @ IF=20mA
- DOMINANT WAVELENGTH (λD): YELLOW 588 nm TYP. @ IF=20mA
- FORWARD VOLTAGE (VF): YELLOW 2.1V TYP. @ IF=20mA
- DOMINANT WAVELENGTH (λD): ORANGE 605 nm TYP. @ IF=20mA
- FORWARD VOLTAGE (VF): ORANGE 2.05V TYP. @ IF=20mA
- IF THE LED WITH 250 OHM RESISTORS, LED IS DRIVEN WITH 5V VOLTAGE AND THE MAX OPERATING CURRENT IS 20mA
- LED COLOR: DOMINANT WAVELENGTH (λD): GREEN 568 nm TYP. @ VF=5V
- FORWARD CURRENT (IF): GREEN 12 mA TYP. @ VF=5V
- DOMINANT WAVELENGTH (λD): YELLOW 588 nm TYP. @ VF=5V
- FORWARD CURRENT (IF): YELLOW 13 mA TYP. @ VF=5V

- △ INDICATED CONNECTIONS ARE FOR N/C CONFIGURATION. THE MAGNETICS ARE SYMMETRICAL TO SUPPORT AUTO-IND/INDV.
- △ TYCO ELECTRONICS LOGO, PART NUMBER, DATE CODE, COUNTRY OF ORIGIN AND AGENCY APPROVAL MARKING IN APPROXIMATE LOCATION SHOWN
- 9. THESE PARTS ARE RECOMMENDED FOR WAVE SOLDERING PROCESS, PEAK WAVE SOLDERING TEMPERATURE IS 265°C, 10SECONDS MAX.

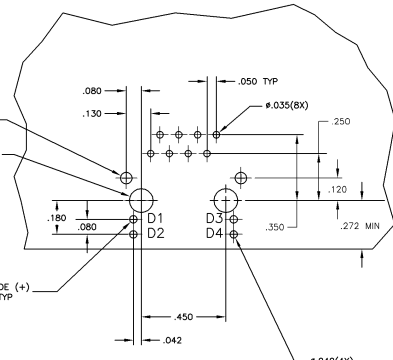
726P7 SERIES MAGNETIC CIRCUIT



C1 = 1000 pF, 2kV DECOUPLING CAPACITOR
R1-R4 = 75 OHMS, 1/16W, 5% RESISTORS



Suggested Panel Cutout



Suggested PCB Layout (COMPONENT SIDE)

NO	YES	YELLOW	GREEN	5-6605766-9
YES	YES	GREEN	GREEN	5-6605766-1
YES	NO	GREEN	GREEN	1-6605766-1

THIS DRAWING IS A CONTROLLED DOCUMENT	REV	DATE	DESCRIPTION	BY	CHK	APP
NO	AA	22	REV PER EDO-08-011728			
NO	B					

CUSTOMER DRAWING A1 00779 6605766