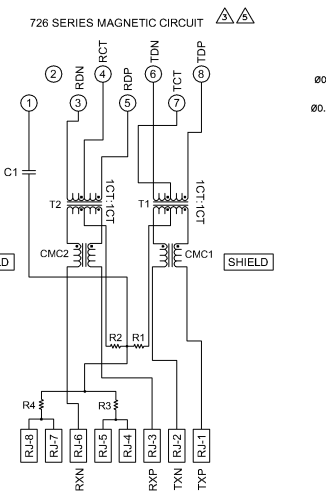
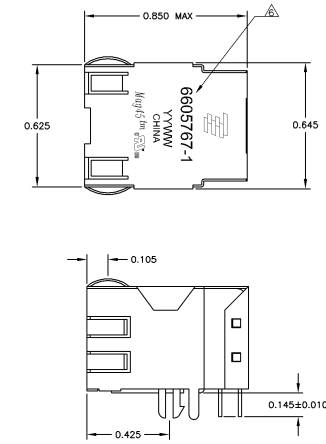
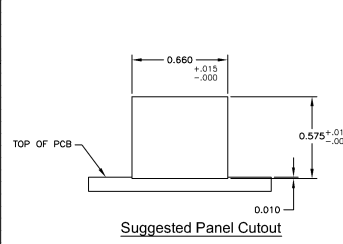
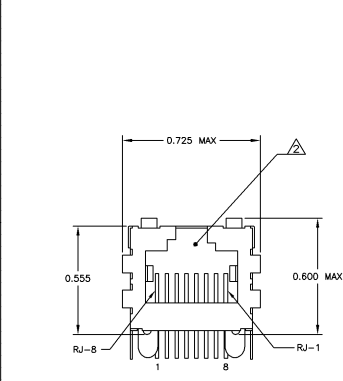
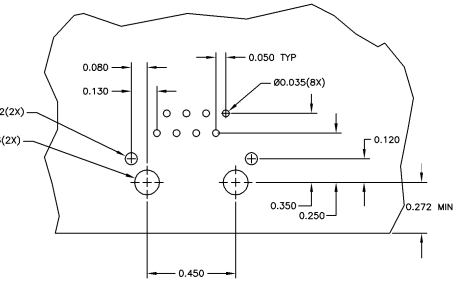
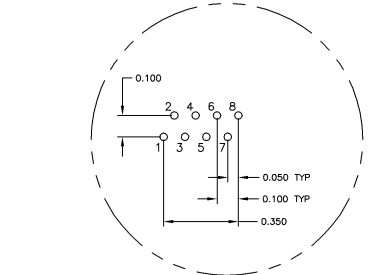


MECHANICAL:



C1 = 1000 pF, 2KV CAPACITOR
 R1-R4 = 75 OHMS, 1/16 W RESISTORS



- MATERIALS**
 - HOUSING - THERMOPLASTIC PET POLYESTER FLAMMABILITY RATING UL 94V-0
 - SHIELD - 010" THICK, C26800 BRASS PREPLATED WITH 50µINCH MIN SEMI-BRIGHT NICKEL. SOLDER TABS POST DIPPED WITH 100µINCH MIN SAC SOLDER
 - MOD JACK CONTACTS - 0.0157" x 0.018" PHOSPHOR BRONZE, 50µINCH MIN OVERALL NICKEL UNDERPLATE, WITH SELECT 50µINCH MIN HARD GOLD FINISH PLATE
 - SOLDER TABS WITH 100µINCH MIN MATTE TIN AND/OR SAC SOLDER DIP
- RJ45 JACK CAVITY CONFORMS TO FCC RULES AND REGULATIONS PART 68, SUB PART F
- MAGNETICS**
 - IMPEDANCE 100 OHMS
 - TURNS RATIO (CHIP CABLE): TX = 11, RX = 11
 - OPEN CIRCUIT INDUCTANCE (OCL): 35µH MIN @ 100kHz, 0 IVRMS
 - BIAS FROM 0°C TO 70°C, TX AND RX
 - PERFORMANCE @ 25°C
 - INSERTION LOSS (IL): 1.1dB MAX FROM 0.5MHz TO 100MHz
 - RETURN LOSS (RL): 18dB MIN FROM 0.5MHz TO 30MHz
 - IS - 30dB @ 30dB MIN FROM 30 MHz TO 68MHz
 - IS - 12dB MIN FROM 68 MHz TO 80MHz
 - CROSSTALK ATTENUATION: 35dB MIN FROM 0.5MHz TO 40MHz
 - IS - 33-20µLOG(1/50)dB MIN FROM 40 MHz TO 100MHz
 - COMMON MODE REJECTION RATIO (CMRR): 30dB MIN FROM 0.5MHz TO 100MHz
 - ISOLATION VOLTAGE: COMPLES WITH IEEE802.3.2002, PARA 23.5.11, ITEM b.
- OPERATING TEMPERATURE: FROM 0° TO +70°C
- INDICATED CONNECTIONS ARE FOR NIC CONFIGURATION. THE MAGNETICS ARE SYMMETRIC, AND THEREFORE ARE AUTO-MDI/MDIX CAPABLE
- TYCO ELECTRONICS LOGO, PART NUMBER, DATE CODE, COUNTRY OF ORIGIN AND AGENCY APPROVAL MARKING IN APPROXIMATE LOCATION SHOWN
- THE PART IS RECOMMENDED FOR WAVE SOLDERING PROCESS. PREHEAT TEMPERATURE IS 120°C TO 160°C, 120 SECONDS TO 180 SECONDS. PEAK WAVE SOLDERING TEMPERATURE IS 260°C MAX, 10 SECONDS MAX.

THIS DRAWING IS A CONTROLLED DOCUMENT		REV A		DATE 22	
DESIGNED BY		CHECKED BY		DATE	
DRAWN BY		APPROVED BY		DATE	
MATERIAL		QUANTITY		UNIT	
PART NO		REV		DATE	
CUSTOMER DRAWING		TYCO ELECTRONICS		726 SERIES CIRCUIT, SHIELDED WITH DECOUPLING CAPACITOR, NO LEADS	
PART NO		REV		DATE	
CUSTOMER DRAWING		TYCO ELECTRONICS		726 SERIES CIRCUIT, SHIELDED WITH DECOUPLING CAPACITOR, NO LEADS	