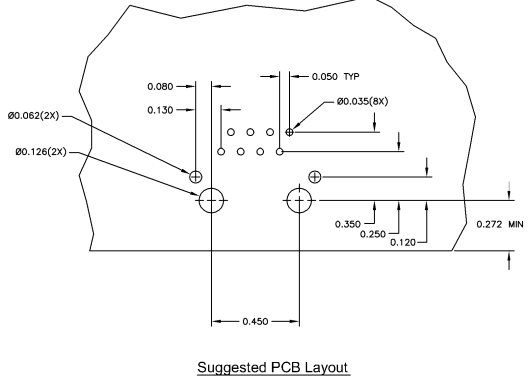
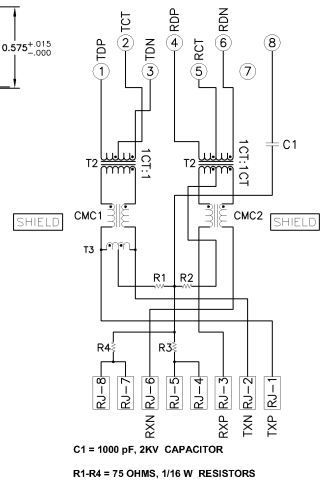


REV	DATE	BY	CHK	DESCRIPTION	APP	DATE	BY	CHK	DESCRIPTION
AA	22			REV PER ECO-09-000302		10/09/2004	VL	LR	

- MATERIALS**
- HOUSING - THERMOPLASTIC PET POLYESTER FLAMMABILITY RATING UL 94V-0
 - SHIELD - 0.01" THICK C28400 BRASS PREPLATED WITH 30μINCH MIN SEMI-BRIGHT NICKEL SOLDER TABS POST DIPPED WITH 100μINCH MIN SAC SOLDER
 - MOD JACK CONTACTS - 0.0157 X 0.018" PHOSPHOR BRONZE 50μINCH MIN OVERALL NICKEL UNDERPLATE WITH SELECT 50μINCH MIN HARD GOLD FINISH PLATE SOLDER TABS WITH 100μINCH MIN PLATE TIN AND/OR SAC SOLDER DIP
- RJ45 JACK CAVITY CONFORMS TO FCC RULES AND REGULATIONS PART 68, SUB PART F**
- MAGNETICS**
- IMPEDANCE 100 OHMS
 - TURNS RATIO (CHP LABEL) TX = 11, RX = 11
 - OPEN CIRCUIT INDUCTANCE (OCL) 35μH MIN @100KHz, 0 IVRMS, 8mADC BIAS FROM 0°C TO 70°C, TX AND RX
 - PERFORMANCE @ 25°C
 - INSERTION LOSS (IL) 1.4dB MAX FROM 0.5MHz TO 100MHz
 - RETURN LOSS (RL) 18dB MIN FROM 0.5MHz TO 30MHz
 - 18-20LOG(f/30)dB MIN FROM 30.1MHz TO 60MHz
 - 12dB MIN FROM 60.1MHz TO 80MHz
 - CROSSTALK ATTENUATION 35dB MIN FROM 0.5MHz TO 40MHz
 - 33-20LOG(f/50)dB MIN FROM 40.1MHz TO 100MHz
 - COMMON MODE REJECTION RATIO (CMRR) 30dB MIN FROM 0.5MHz TO 100MHz
 - ISOLATION VOLTAGE COMPLIES WITH IEEE802.3 2002, PARA 23.5.11, ITEM b
4. OPERATING TEMPERATURE: FROM 0°C TO -70°C
- INDICATED CONNECTIONS ARE FOR NIC CONFIGURATION THE MAGNETICS ARE ASYMMETRICAL, AND THEREFORE DO NOT SUPPORT AUTO-MDI/MDIX
- TYCO ELECTRONICS LOGO, PART NUMBER, DATE CODE, COUNTRY OF ORIGIN AND AGENCY APPROVAL MARKING IN APPROXIMATE LOCATION SHOWN
7. THE PART IS RECOMMENDED FOR WAVE SOLDERING PROCESS, PREHEAT TEMPERATURE IS 120°C TO 160°C, 120 SECONDS TO 180 SECONDS, PEAK WAVE SOLDERING TEMPERATURE IS 260°C MAX, 10 SECONDS MAX

714P1 SERIES MAGNETIC CIRCUIT



THIS DRAWING IS A CONTROLLED DOCUMENT.		ATTACHMENT	DATE	REV	DESCRIPTION
REV	DATE	BY	CHK	DESCRIPTION	
1				1X1 MAG45(TM), 7K2P1 SCHEMATIC, 714 SERIES CIRCUIT, WITH DECOUPLING CAPACITOR, NO LEADS	
2				108-2100	
3				REV 108-2100	
4				REV 108-2100	
5				REV 108-2100	
6				REV 108-2100	
7				REV 108-2100	
8				REV 108-2100	
9				REV 108-2100	
10				REV 108-2100	
11				REV 108-2100	
12				REV 108-2100	
13				REV 108-2100	
14				REV 108-2100	
15				REV 108-2100	
16				REV 108-2100	
17				REV 108-2100	
18				REV 108-2100	
19				REV 108-2100	
20				REV 108-2100	
21				REV 108-2100	
22				REV 108-2100	
23				REV 108-2100	
24				REV 108-2100	
25				REV 108-2100	
26				REV 108-2100	
27				REV 108-2100	
28				REV 108-2100	
29				REV 108-2100	
30				REV 108-2100	
31				REV 108-2100	
32				REV 108-2100	
33				REV 108-2100	
34				REV 108-2100	
35				REV 108-2100	
36				REV 108-2100	
37				REV 108-2100	
38				REV 108-2100	
39				REV 108-2100	
40				REV 108-2100	
41				REV 108-2100	
42				REV 108-2100	
43				REV 108-2100	
44				REV 108-2100	
45				REV 108-2100	
46				REV 108-2100	
47				REV 108-2100	
48				REV 108-2100	
49				REV 108-2100	
50				REV 108-2100	
51				REV 108-2100	
52				REV 108-2100	
53				REV 108-2100	
54				REV 108-2100	
55				REV 108-2100	
56				REV 108-2100	
57				REV 108-2100	
58				REV 108-2100	
59				REV 108-2100	
60				REV 108-2100	
61				REV 108-2100	
62				REV 108-2100	
63				REV 108-2100	
64				REV 108-2100	
65				REV 108-2100	
66				REV 108-2100	
67				REV 108-2100	
68				REV 108-2100	
69				REV 108-2100	
70				REV 108-2100	
71				REV 108-2100	
72				REV 108-2100	
73				REV 108-2100	
74				REV 108-2100	
75				REV 108-2100	
76				REV 108-2100	
77				REV 108-2100	
78				REV 108-2100	
79				REV 108-2100	
80				REV 108-2100	
81				REV 108-2100	
82				REV 108-2100	
83				REV 108-2100	
84				REV 108-2100	
85				REV 108-2100	
86				REV 108-2100	
87				REV 108-2100	
88				REV 108-2100	
89				REV 108-2100	
90				REV 108-2100	
91				REV 108-2100	
92				REV 108-2100	
93				REV 108-2100	
94				REV 108-2100	
95				REV 108-2100	
96				REV 108-2100	
97				REV 108-2100	
98				REV 108-2100	
99				REV 108-2100	
100				REV 108-2100	