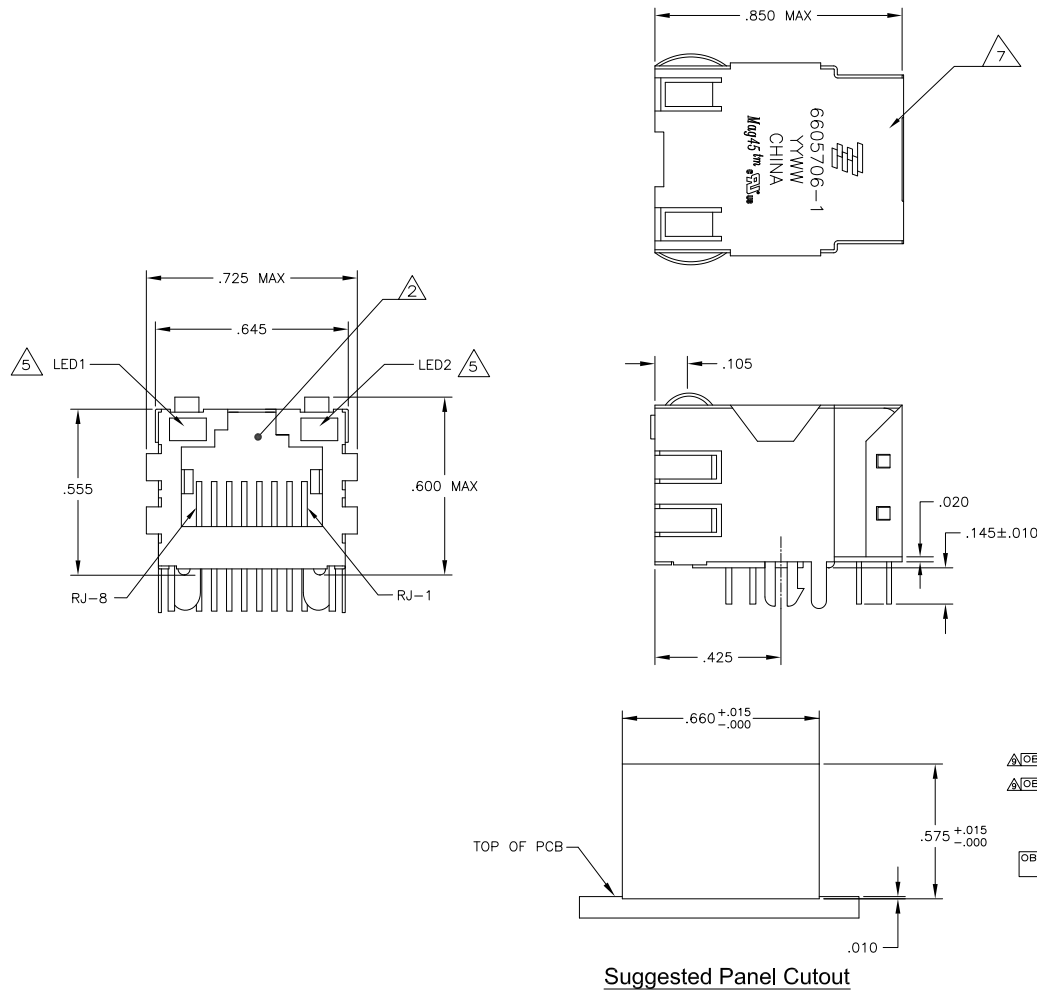


REVISED		REVISIONS		DATE	BY	APP'D
B	REV PER ECO-06-008154			11APR2008	SX	TX
BT	REVISED PER ECO-10-000444			19AUG10	KK	HMR

MECHANICAL:



- MATERIALS:**
 - HOUSING - THERMOPLASTIC PET POLYESTER FLAMMABILITY RATING UL 94V-0
 - SHIELD - .010" THICK, C26800 BRASS PREPLATED WITH 30μinch MIN SEMI-BRIGHT NICKEL; SOLDER TABS POST DIPPED WITH 100μinch MIN SAC SOLDER
 - MOD JACK CONTACTS - .0157" x .018", PHOSPHOR BRONZE, 50μinch MIN OVERALL NICKEL UNDERPLATE, WITH SELECT 50μinch MIN HARD GOLD FINISH PLATE. SOLDER TAILS WITH 100μinch MIN MATTE TIN AND/OR SAC SOLDER DIP
 - LIGHT EMITTING DIODE(LED) - DIFFUSED EPOXY LENS, .020" x .020" CARBON STEEL WIREFRAME LEADS PREPLATED WITH 80μinch SILVER OVER 40μinch NICKEL UNDERPLATE OVER 40μinch COPPER UNDERPLATE; POST-PLATED WITH 100μinch MIN MATTE TIN AND/OR SAC SOLDER DIP OR PURE TIN SOLDER DIP.
- RJ45 JACK CAVITY CONFORMS TO FCC RULES AND REGULATIONS PART 68, SUB PART F.**
- MAGNETICS:**
 - IMPEDANCE: 100 OHMS
 - TRANSMIT OPEN CIRCUIT INDUCTANCE (OCL): 350μH (MIN) @100KHZ, 0.1VRMS WITH 8 mA DC BIAS. FOR EACH TRANSFORMER OVER T = 0°C TO -70°C.
 - TURNS RATIO (CHIP, CABLE): TX: 1:1, RX: 1:1
- PERFORMANCE: @ 25°C**
 - INSERTION LOSS (IL): 1.1db MAX FROM 0.5MHZ TO 100MHZ
 - RETURN LOSS (RL): 18db MIN FROM 0.5MHZ TO 30MHZ
18 - 20LOG (f/30db) MIN FROM 30.3MHZ TO 60MHZ
12db MIN FROM 60.1MHZ TO 80MHZ
 - CROSSTALK ATTENUATION: 35db MIN FROM 0.5MHZ TO 40MHZ
33-20LOG (f/50db) MIN FROM 40.1MHZ TO 100MHZ
 - COMMON MODE REJECTION RATIO (CMRR): 30db MIN FROM 0.5MHZ TO 100MHZ
 - DIELECTRIC (ISOLATION VOLTAGE): 2250 VDC (1mA CUTOFF CURRENT), 60 SECONDS BETWEEN ALL RJ45 CONTACTS AND ALL SIGNAL PINS WITH OUTER SHIELD
- 4. OPERATING TEMPERATURE: FROM 0°C TO -70°C.**

- THE 250 OHM LED RESISTORS ARE OPTIONAL, PLEASE SEE CHART FOR PRESENCE OR ABSENCE OF LED RESISTORS. IF THE LED WITHOUT 250 OHM RESISTORS, LED IS DRIVEN WITH CONSTANT CURRENT AT APPROX 20mA.**
- LED COLOR: DOMINANT WAVELENGTH (λD): GREEN 568 nm TYP. at IF=20mA**
- FORWARD VOLTAGE (VF): GREEN 2.2V TYP. at IF=20mA**
- DOMINANT WAVELENGTH (λD): YELLOW 588 nm TYP. at IF=20mA**
- FORWARD VOLTAGE (VF): YELLOW 2.1V TYP. at IF=20mA**
- IF THE LED WITH 250 OHM RESISTORS, LED IS DRIVEN WITH 5V VOLTAGE AND THE MAX OPERATING CURRENT IS 20mA.**
- LED COLOR: DOMINANT WAVELENGTH (λD): GREEN 568 nm TYP. at VF=5V**
- FORWARD CURRENT (IF): GREEN 12 mA TYP. at VF=5V**
- DOMINANT WAVELENGTH (λD): YELLOW 588 nm TYP. at VF=5V**
- FORWARD CURRENT (IF): YELLOW 13 mA TYP. at VF=5V**
- INDICATED CONNECTIONS ARE FOR NIC CONFIGURATION. THE MAGNETICS ARE ASYMMETRICAL, AND DO NOT SUPPORT AUTO-MDI/MDIX.**
- TYCO ELECTRONICS LOGO, PART NUMBER, DATE CODE, COUNTRY OF ORIGIN AND AGENCY APPROVAL MARKING IN APPROXIMATE LOCATION SHOWN.**
- 8. THESE PARTS ARE RECOMMENDED FOR WAVE SOLDERING PROCESS, PEAK WAVE SOLDERING TEMPERATURE IS 265°C MAX, 10 SECONDS MAX.**

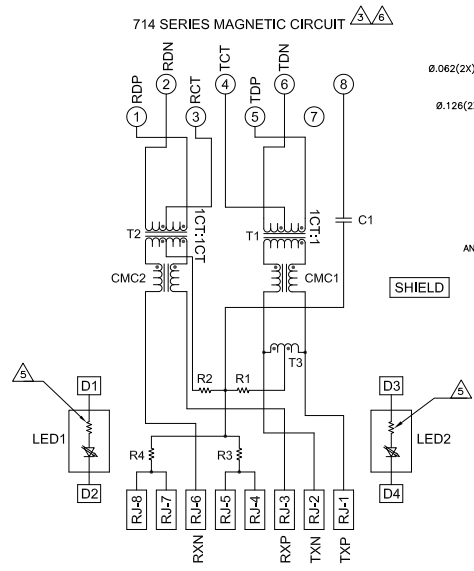
	YES	GREEN	YES	GREEN	YES	6-6605706-1
OBSELETE	YES	YELLOW	NO	GREEN	NO	5-6605706-9
	YES	GREEN	NO	YELLOW	NO	5-6605706-8
OBSELETE	YES	GREEN	NO	GREEN	NO	5-6605706-7
	YES	GREEN/YELLOW	NO	GREEN/YELLOW	NO	5-6605706-6
	YES	GREEN/YELLOW	NO	GREEN	NO	5-6605706-5
	YES	YELLOW	YES	GREEN	YES	5-6605706-2
	NO	GREEN	YES	YELLOW	YES	5-6605706-1
	NO	GREEN	YES	GREEN	YES	1-6605706-1
OBSELETE	NO	GREEN	NO	GREEN	NO	5-6605706-7
	NO	GREEN/YELLOW	NO	GREEN/YELLOW	NO	5-6605706-6
	NO	GREEN	YES	YELLOW	YES	6605706-1

2KV DECOUPLING CAPACITOR	LED1	250 OHM RESISTOR	LED2	250 OHM RESISTOR	PART NUMBER

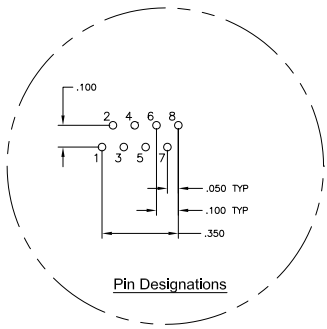
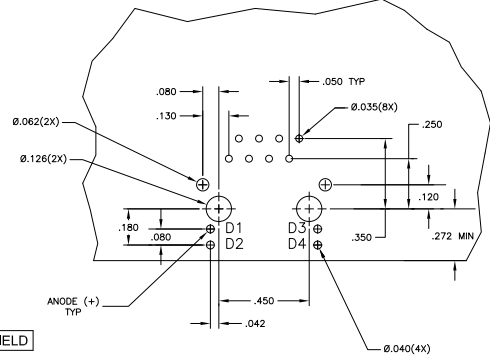
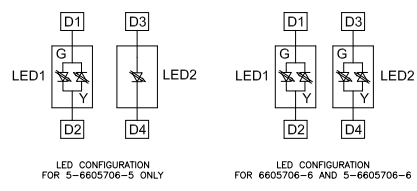
THIS DRAWING IS A CONTROLLED DOCUMENT.	DATE	10B-2100	REVISED	DATE	10B-2100
REVISIONS	DESCRIPTION	DATE	BY	APP'D	REVISIONS
1	10B-2100	10B-2100			1
2	7N2 SCHEMATIC, 714 SERIES CIRCUIT, SHIELDED, OPTIONAL DECOUPLING CAPACITOR WITH LEDS				2
3					3
4					4
5					5
6					6
7					7
8					8
9					9
10					10
11					11
12					12
13					13
14					14
15					15
16					16
17					17
18					18
19					19
20					20
21					21
22					22
23					23
24					24
25					25
26					26
27					27
28					28
29					29
30					30
31					31
32					32
33					33
34					34
35					35
36					36
37					37
38					38
39					39
40					40
41					41
42					42
43					43
44					44
45					45
46					46
47					47
48					48
49					49
50					50
51					51
52					52
53					53
54					54
55					55
56					56
57					57
58					58
59					59
60					60
61					61
62					62
63					63
64					64
65					65
66					66
67					67
68					68
69					69
70					70
71					71
72					72
73					73
74					74
75					75
76					76
77					77
78					78
79					79
80					80
81					81
82					82
83					83
84					84
85					85
86					86
87					87
88					88
89					89
90					90
91					91
92					92
93					93
94					94
95					95
96					96
97					97
98					98
99					99
100					100

THIS DRAWING IS UNPUBLISHED
 UNLESS INDICATED OTHERWISE
 © 2005 TYS ELECTRONICS CORPORATION ALL RIGHTS RESERVED

REV	DATE	DESCRIPTION	BY	APP
1		SEE SHEET 1		



C1 = 1000pF, 2kV DECOUPLING CAPACITOR
 R1-R4 = 75 OHMS, 1/16W, RESISTORS



9 OBSOLETE PARTS: OBSOLETE CIS STREAMLINING PER D.RENAUD/D.SINISI

SECTION	DESCRIPTION	DATE	BY	APP
DESIGN	108-2100			
REVISED				
DATE	108-2100			
BY				
APP				
REVISIONS	1X1 MAG45 (TM) MODULAR JACK, 7W2 SCHEMATIC, 714 SERIES CIRCUIT, SHIELDED, OPTIONAL DECOUPLING CAPACITOR WITH LEADS			
CUSTOMER DRAWING	A100779G=6605706			

18MAY05 9:36am u021428 H:\u0000\6605706-1c_A.dwg