

4

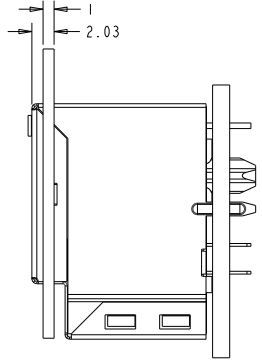
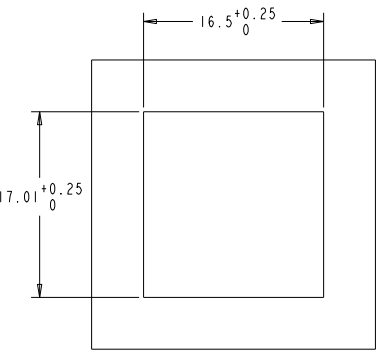
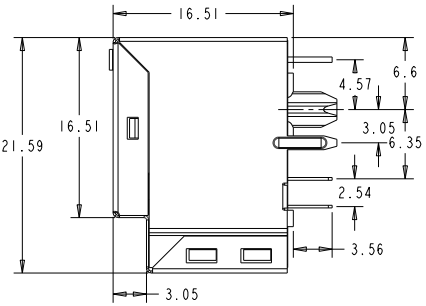
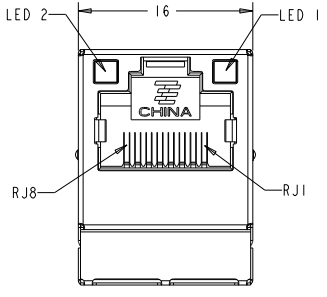
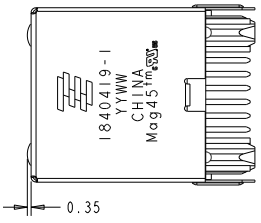
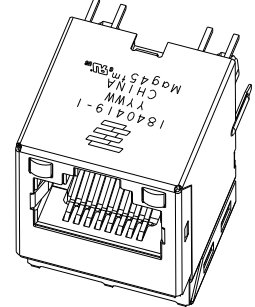
3

2

1

THIS DRAWING IS UNPUBLISHED. RELEASES FOR PUBLICATION
COPYRIGHT © 2011 BY TYCO ELECTRONICS CORPORATION. ALL RIGHTS RESERVED.

LOC		DIST		REVISIONS			
AA	00	REV	DATE	DESCRIPTION	DATE	BY	APP
B	ECO-08-004426		22APR2008			TR	TX
C	ECO-10-019861		30SEP2010			RZ	KZ



1. MATERIALS
 HOUSING: THERMOPLASTIC, BLACK, FLAMMABILITY RATED UL 94V-0
 SHIELD: BRASS, 0.20mm THICK, PREPLATED WITH MIN 0.76um SEMI-BRIGHT NICKEL
 POST DIPPED WITH 2.54um MIN SAC SOLDER AT GROUND PINS.
 CONTACT: PHOSPHOR BRONZE, WITH 1.27um MIN OVERALL NICKEL UNDERPLATE AND SELECTIVE 1.27um MIN GOLD PLATING AT MATING INTERFACE
 SOLDER TAIL: PHOSPHOR BRONZE, WITH 1.27um MIN OVERALL NICKEL UNDERPLATE AND PLATED WITH 2.54um MIN TIN
 LED: DIFFUSED EPOXY LENS, 0.50mm SQUARE CARBON STEEL WIREFRAME LEADS PREPLATED WITH 2.03um MIN SILVER OVER 1.02um MIN NICKEL OVER 1.02um MIN COPPER UNDERPLATE POST PLATED WITH 2.54um MIN TIN

MAGNETICS
 -APPLICATION: 10/100 BASE-T
 -IMPEDANCE: 100 OHMS
 -TURNS RATIO (CHIP-CABLE): TX = 1:1, RX = 1:1
 -OPEN CIRCUIT INDUCTANCE (OCL): 350uH MIN @100kHz, 0.1VRMS, 8mADC BIAS FROM 0°C TO 70°C, TX AND RX
 -PERFORMANCE @ 25°C:
 INSERTION LOSS (IL): 1.1dB MAX FROM 0.5MHz TO 100MHz
 RETURN LOSS (RL): 18dB MIN FROM 0.5MHz TO 30MHz
 18-20LOG(f/30)dB MIN FROM 30.1MHz TO 60MHz
 12dB MIN FROM 60.1MHz TO 80MHz
 CROSSTALK ATTENUATION: 35dB MIN FROM 0.5MHz TO 40MHz
 33-20LOG(f/50)dB MIN FROM 40.1MHz TO 100MHz
 COMMON MODE REJECTION RATIO (CMRR): 30dB MIN FROM 0.5MHz TO 100MHz
 -ISOLATION VOLTAGE: COMPLIES WITH IEEE802.3 2002, PARA 23.5.1.1, ITEM b.

THE MAGNETIC ARE SYMMETRICAL AND SUPPORT AUTO-MDX OPERATION.
 4. OPERATING TEMPERATURE: 0 ~ 70°C
 5. LED IS DRIVEN WITH CONSTANT CURRENT AT APPROX 20mA.
 DOMINANT WAVELENGTH(λD)
 GREEN 568nm TYP.at IF=20mA
 YELLOW 588nm TYP.at IF=20mA
 FORWARD VOLTAGE(VF):
 GREEN 2.2V TYP.at IF=20mA
 YELLOW 2.1V TYP.at IF=20mA
 6. ALL DIMENSIONS TO BE NOMINAL UNLESS OTHERWISE NOTED
 7. RJ45 CAVITY CONFORMS TO FCC RULES AND REGULATION PART 68 SUBPART F.

YES	YELLOW	GREEN	1-1840419-3
NO	GRN/YEL	GRN/YEL	1840419-4
NO	YELLOW	GREEN	1840419-3
NO	GREEN	YELLOW	1840419-2
NO	GREEN	GREEN	1840419-1
CUT OUT	LED 1	LED 2	PART NUMBER

DIMENSIONS: mm TOLERANCE UNLESS OTHERWISE SPECIFIED: 0 PLC ±0.25 1 PLC ±0.25 2 PLC ±0.25 3 PLC ±0.25 4 PLC ±0.25 ANGLES ±° FINISH		DATE: 18AUG2006 CHK: TOMMY REV DATE: 18AUG2006 CHK: KEITH ZHU DATE: 18AUG2006 APP: EDDY X LONG PRODUCT SPEC: 108-2100 APPLICATION SPEC:	Tyco Electronics Changping, China NAME: IXI MAG45(TM) MODULAR JACK, VERTICAL TYPE, 426P13 CIRCUIT, WITH LED SIZE: A CASE CODE: 00779 DRAWING NO: 1840419 RESTRICTED TO:
MATERIAL:		WEIGHT:	CUSTOMER DRAWING:
		SCALE: 3:1	SHEET 1 OF 2 REV C

AMP 1471-9 REV 31MAR2000

4

3

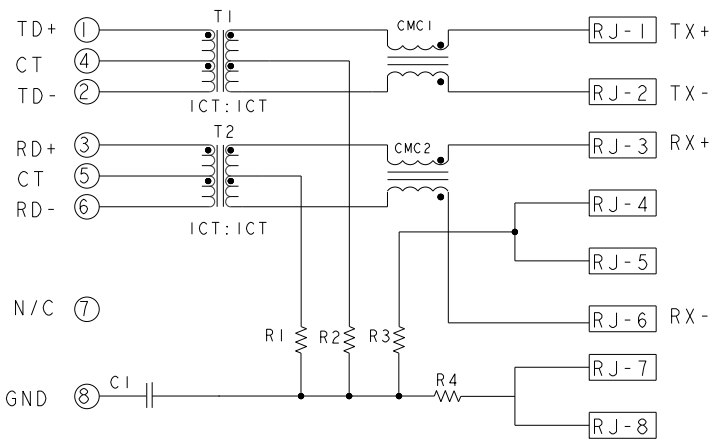
2

1

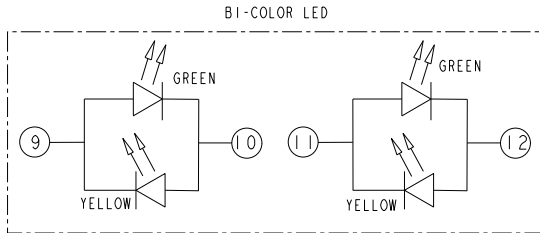
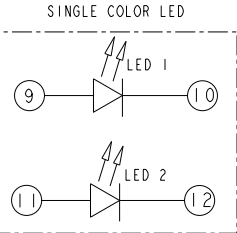
THIS DRAWING IS UNPUBLISHED. RELEASES FOR PUBLICATION
COPYRIGHT © 2011 BY TYCO ELECTRONICS CORPORATION. ALL RIGHTS RESERVED.

LOC		DIST		REVISIONS			
AA	00	REV	DATE	BY	CHK	APP	DESCRIPTION
		1					SEE SHEET 1

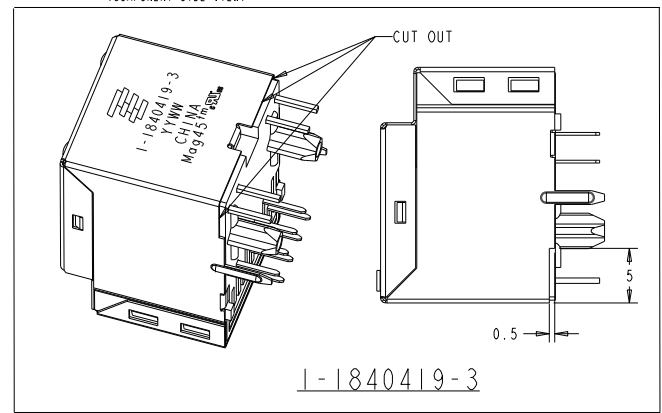
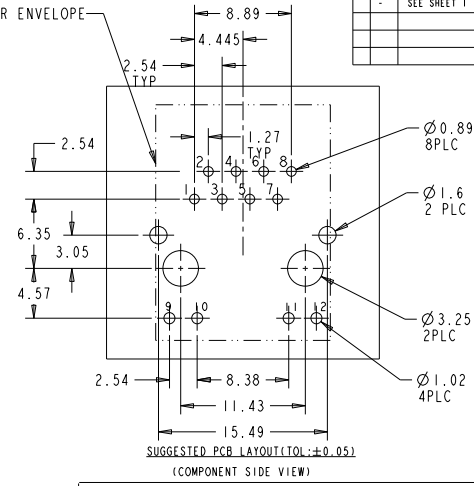
426P13 10/100 BASE-T CIRCUIT



C1 = 1000pF, 2KV, CAPACITOR
R1 - R4 = 75 ohms, RESISTOR



CONNECTOR ENVELOPE



DIMENSIONS: mm 		TOLERANCE LEVELS: OPERATIONAL SPEC DIMENSIONS mm 		DATE: TOMMY REV 18AUG2006 CHK: KELIN ZHU 18AUG2006 APPD: EDDY X LONG 18AUG2006 NAME: TYCO ELECTRONICS PRODUCT SPEC: 108-2100 APPLICATION SPEC:		SIZE: A2 CAGE CODE: 00779 DRAWING NO: 1840419 CUSTOMER DRAWING:	
MATERIAL: FINISH:		WEIGHT: ANGLE: FINISH:		TYP. DIMENSIONS: 1.0mm (0.039") TYP. DIMENSIONS: 1.0mm (0.039") TYP. DIMENSIONS: 1.0mm (0.039") TYP. DIMENSIONS: 1.0mm (0.039")		Tyco Electronics Changping, China IXI MAG45(TM) MODULAR JACK, VERTICAL TYPE, 426P13 CIRCUIT, WITH LED SCALE: 3:1 SHEET 2 OF 2 REV C	