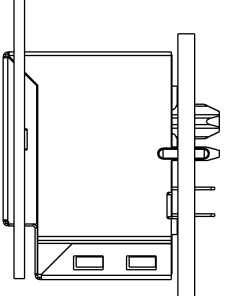
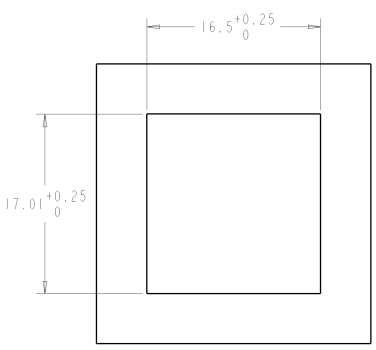
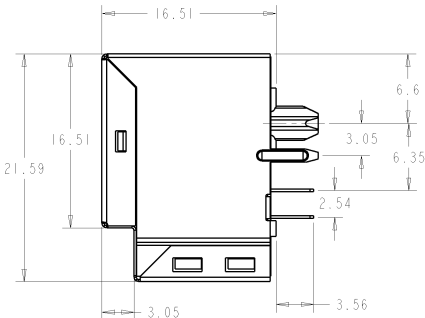
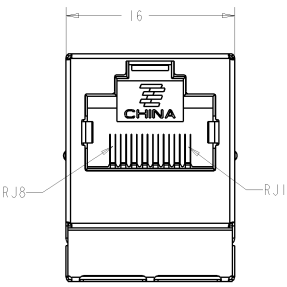
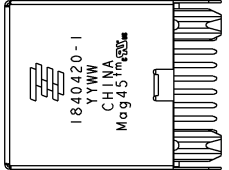
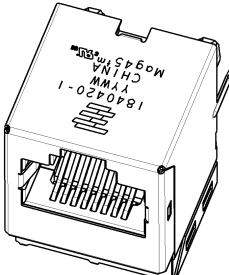


THIS DRAWING IS UNPUBLISHED. RELEASED FOR FABRICATION.
 (C) COPYRIGHT 2008 BY TYCO ELECTRONICS CORPORATION. ALL RIGHTS RESERVED.

REV	DATE	DESCRIPTION	DATE	APPV
AA	00			
B		ECO-08-004426	22APR2008	TR TX



1. MATERIALS
 HOUSING: THERMOPLASTIC, BLACK, FLAMMABILITY RATED UL 94V-0
 SHIELD: BRASS, 0.20mm THICK,
 PREPLATED WITH MIN 0.76um SEMI-BRIGHT NICKEL
 POST DIPPED WITH 2.54um MIN SAC SOLDER AT GROUND PINS.
 CONTACT: PHOSPHOR BRONZE
 WITH 1.27um MIN OVERALL NICKEL UNDERPLATE AND
 SELECTIVE 1.27um MIN GOLD PLATING AT MATING INTERFACE
 SOLDER TAIL: PHOSPHOR BRONZE
 WITH 1.27um MIN OVERALL NICKEL UNDERPLATE AND
 PLATED WITH 2.54um MIN TIN
 LED: DIFFUSED EPOXY LENS, 0.50mm SQUARE CARBON STEEL WIREFRAME LEADS
 PREPLATED WITH 2.03um MIN SILVER OVER 1.02um MIN NICKEL
 OVER 1.02um MIN COPPER UNDERPLATE POST PLATED WITH 2.54um MIN TIN

△ MAGNETICS
 -APPLICATION: 10/100 BASE-T
 -IMPEDANCE: 100 OHMS
 -TURNS RATIO (CHIP:CABLE): TX = 1:1, RX = 1:1
 -OPEN CIRCUIT INDUCTANCE (OCL): 350uH MIN @100kHz, 0.1VRMS,
 8mADC BIAS FROM 0°C TO 70°C, TX AND RX
 -PERFORMANCE @ 25°C:
 INSERTION LOSS (IL): 1 dB MAX FROM 0.5MHz TO 100MHz
 RETURN LOSS (RL): 18dB MIN FROM 0.5MHz TO 30MHz
 18-20LOG(I/I₀)dB MIN FROM 30.1MHz TO 60MHz
 12dB MIN FROM 60.1MHz TO 80MHz
 CROSSTALK ATTENUATION: 35dB MIN FROM 0.5MHz TO 40MHz
 33-20LOG(I/I₀)dB MIN FROM 40.1MHz TO 100MHz
 COMMON MODE REJECTION RATIO (CMRR): 30dB MIN FROM 0.5MHz TO 100MHz
 -ISOLATION VOLTAGE: COMPLIES WITH IEEE802.3 2002, PARA 23.5.1.1, ITEM b.

△ THE MAGNETIC ARE SYMMETRICAL AND SUPPORT AUTO-MDIX OPERATION.
 4. OPERATING TEMPERATURE: 0 ~ 70°C
 5. ALL DIMENSIONS TO BE NOMINAL UNLESS OTHERWISE NOTED
 6. RJ45 CAVITY CONFORMS TO FCC RULES AND REGULATION PART 68 SUBPART F.

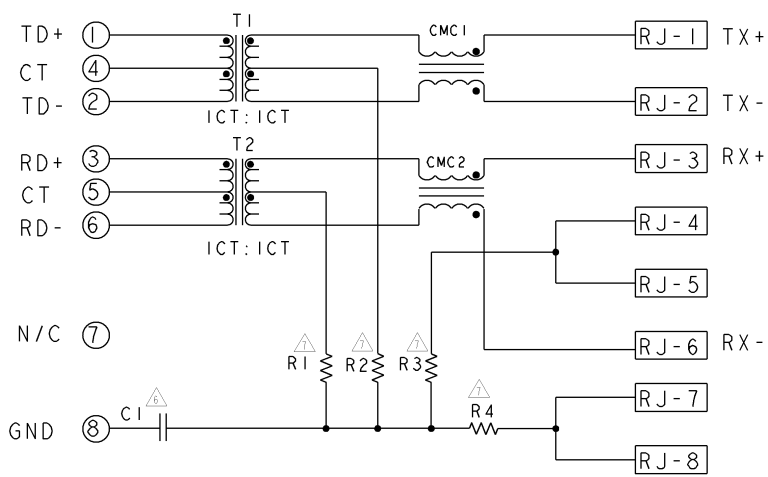
1840420-1
 PART NUMBER

TYCO ELECTRONICS CORPORATION, 20000 WILSON AVENUE, WILSON, CA 94093, USA		DATE: TOMMY BEN 18AUG2006	Tyco Electronics Chongqing, China	
DRAWN BY: XIAOYU ZHANG		DATE: XIAOYU ZHANG 18AUG2006	NAME: (1X1) MAG45(S1M) MODULAR JACK, VERTICAL TYPE, 426P13 CIRCUIT, WITHOUT LED	
DIMENSIONS: 2-PLC 40-25 2-PLC 40-25 2-PLC 40-25 2-PLC 20-25 4-PLC		DATE: XIAOYU ZHANG 18AUG2006	SIZE: A2	
MATERIAL: BRASS		DATE: XIAOYU ZHANG 18AUG2006	SCALE: 3:1	
FINISH: 108-2100		DATE: XIAOYU ZHANG 18AUG2006	SHEET: 1 OF 2	
APPROVED: XIAOYU ZHANG		DATE: XIAOYU ZHANG 18AUG2006	REV: A	
CUSTOMER DRAWING		DATE: XIAOYU ZHANG 18AUG2006		

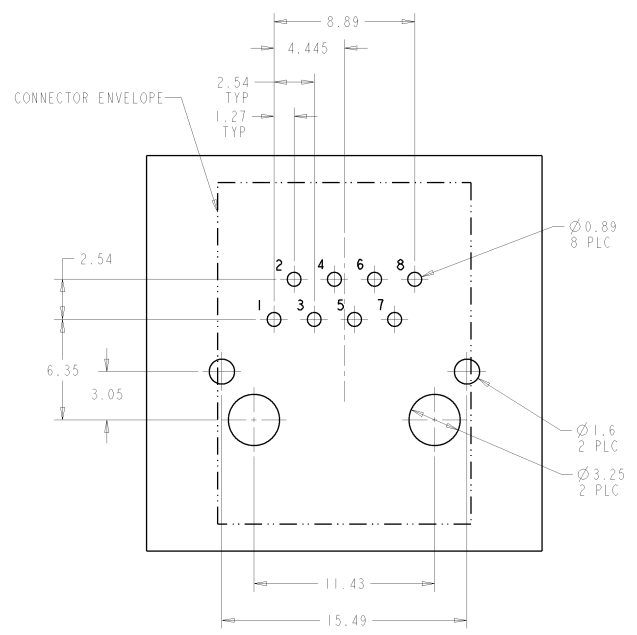
THIS DRAWING IS UNPUBLISHED. RELEASED FOR FABRICATION.
 (C) COPYRIGHT 2007 BY TYCO ELECTRONICS CORPORATION. ALL RIGHTS RESERVED.

REV	DATE	DESCRIPTION	DATE	CHK	APP
AA	00	SEE SHEET 1	-	-	-

426P13 10/100 BASE-T CIRCUIT $\Delta\Delta$



C1 = 1000pF, 2KV, CAPACITOR
 R1 - R4 = 75 ohms, RESISTOR



SUGGESTED PCB LAYOUT (TOL: ± 0.05)
 (COMPONENT SIDE VIEW)

DIMENSIONS: ITEM: 2 PLC 80.25, 3 PLC 80.25, 4 PLC 80.25, 5 PLC 80.25, 6 PLC 20.25, 7 PLC 20.25, 8 PLC 20.25, ANGLE: 90°, FINISH: -		DAW: TOMMY REN 18AUG2006 CH: XIE H ZHU 18AUG2006 DATE: 18AUG2006 NAME: (XT) MAG45(TM) MODULAR JACK, VERTICAL TYPE, 426P13 CIRCUIT, WITHOUT LED SIZE: A2 CODE: 00779 DRAWING NO: 1840420 CUSTOMER: DRAWING	Tyco Electronics Chongqing, China RESTRICTED TO: - SCALE: 3:1 SHEET 2 OF 2 REV B
---	--	--	---