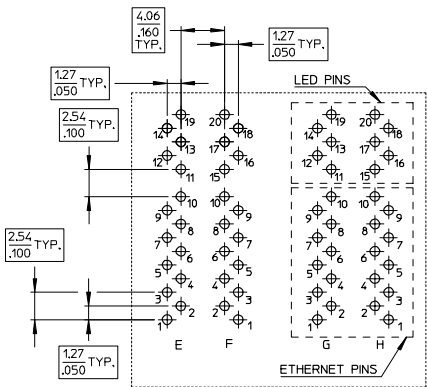


MATERIAL NUMBER	NUMBERS OF PORTS	DIM -C-	DIM -D-	SEE NOTE
85586-1005	6/6	4,0/0.157	3,8/0.150	12

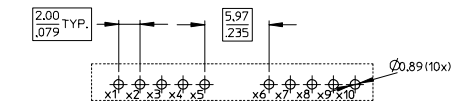
PATENTS PENDING

- NOTES:
- SHIELD MATERIAL: BRASS, PLATING NICKEL
 - HOUSING MATERIAL: THERMOPLASTIC UL 94-V0, COLOR BLACK
 - TERMINAL PHOSPHOR BRONZE
 - PLATING
POSTPLATE OR SPOTPLATE 0.00127 / .00005 MM GOLD OVER 0.00127 / .00005 MM NICKEL IN CONTACT AREA 0.00190 / .000075 MM 100% TIN IN TAIL AREA, BOTH OVER 0.00127 / .000050 MM NICKEL OVER ALL.
 - JACK TO BE MATCHED WITH F.C.C. 68.5 PLUGS (MOLEX-PLUGS: 85568,95043,90075-SERIES)
 - PRODUCT SPECIFICATION PS-85586-001
 - PLEASE REQUEST MOLEX FOR A FRENCH INSTALLATION MANUAL IF DISTRIBUTED IN CANADA.
 - RECOMMENDED PCB LAYOUT AND PANEL CUT OUT SEE SHEET 2 AND 3
 - NO TRACES WITHOUT INSULATION ALLOWED ON BOARD PCB IN THIS DASHED AREAS UNDER THE METAL SHIELD
 - PIN LENGTH FOR RECOMMENDED PCB MAX. THICKNESS OF .140" REFER TO STANDARD PC 610 REVISION C, CLASS 2
 - STAND-OFF PLANE TO CUSTOMER PCB
 - PACKAGING SPECIFICATION PK-85586-001

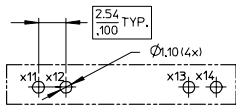
EC NO: MC2007-0091 2007/03/19 DRAWN BY: RSCHIEBER 2007/03/19 CHKD BY: CHIKHARLT 2007/03/26 APPR. BY: AVOGT	QUALITY SYMBOLS ▽=0 ▽=0	GENERAL TOLERANCES (UNLESS SPECIFIED) mm INCH		DIMENSION STYLE MM/IN		SCALE 2:1	DESIGN UNITS METRIC	THIRD ANGLE PROJECTION	
		4 PLACES ±.006 ±.006 3 PLACES ±.015 ±.015 2 PLACES ±.025 ±.025 1 PLACE ±.050 ±.050 ANGULAR ± 5°	DRAWN BY: RSCHIEBER 2005/12/08 CHECKED BY: SSTEINKE 2005/12/08 APPROVED BY: AVOGT 2005/12/08	TITLE HYPERJACK 1000 POE-MODULE WITH POWER OVER PIN (POP), SWAPPED PORTS					MATERIAL NO. SEE CHART
DRAFT WHERE APPLICABLE MUST REMAIN WITHIN DIMENSIONS		THIS DRAWING CONTAINS INFORMATION THAT IS PROPRIETARY TO MOLEX INCORPORATED AND SHOULD NOT BE USED WITHOUT WRITTEN PERMISSION							



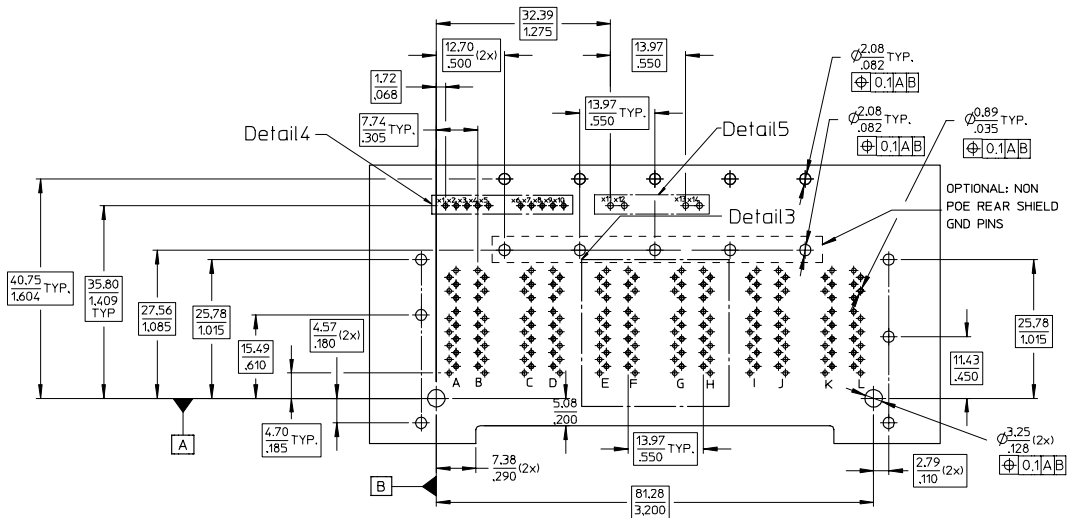
Detail3 SCALE 4:1
PORTS E, F, G, H
(THE SAME FOR ALL VERSIONS)



Detail4 SCALE 4:1
POE PIN ARRANGEMENT



Detail5 SCALE 4:1
POE PIN ARRANGEMENT

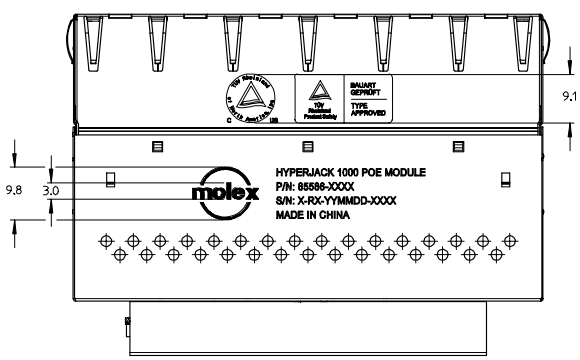


SUGGESTED PCB BOARD LAYOUT 2x6 VERSION, COMPONENT SIDE VIEW

PATENTS PENDING

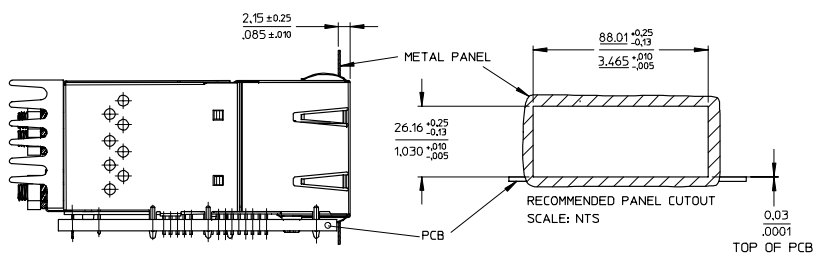
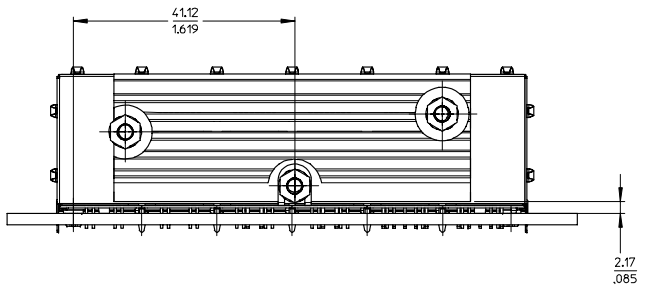
EC NO: M2007-0091 2007/03/19 DRAWN: RSCHIEBER 2007/03/19 CHECKED: M. HARTL 2007/03/26 APPROVED: AVOGT	QUALITY SYMBOLS ▽=0 ▽=0	GENERAL TOLERANCES (UNLESS SPECIFIED)		DIMENSION STYLE MM/IN	SCALE 2:1	DESIGN UNITS METRIC	THIRD ANGLE PROJECTION	
		4 PLACES ± .015 ± .006 3 PLACES ± .015 ± .006 2 PLACES ± .015 ± .006 1 PLACE ± .025 ± .006		DRAWN BY RSCHIEBER	DATE 2005/12/08	TITLE HYPERJACK 1000 POE-MODULE WITH POWER OVER PIN (POP), SWAPPED PORTS		
		ANGULAR ± 5°		CHECKED BY SSTEINKE	DATE 2005/12/08	APPROVED BY AVOGT		
		DRAFT WHERE APPLICABLE MUST REMAIN WITHIN DIMENSIONS		MATERIAL NO. SEE SHEET 1	DOCUMENT NO. SD-85586-012	MOLEX INCORPORATED		

13 12 11 10 9 8 7 6 5 4 3 2 1



NOTES:

- 1 - MOLEX LOGO, TUV LOGO AND INSCRIPTION TO BE MARKED WITH LASER PRINTER
- 2 - INSCRIPTION:
 - 1st LINE: PART NAME
 - 2nd LINE: PART NUMBER
 - 3rd LINE: SERIES NUMBER -> MANUFACTURER ID - CONNECTOR REVISION - DATE CODE (YEAR, MONTH, DAY) - CONSECUTIVE NUMBER
 - 4th LINE: COUNTRY OF ORIGIN



PATENTS PENDING

EC NO: MC2007-0091 DRAWN BY: DRW:RSCHIEBER 2007/03/19 CHECKED BY: CHK:CHARLT 2007/03/19 APPROVED BY: APPR:AVOGT 2007/03/26	QUALITY SYMBOLS	GENERAL TOLERANCES (UNLESS SPECIFIED)	DIMENSION STYLE	SCALE	DESIGN UNITS	THIRD ANGLE PROJECTION
	▽=0 ▽=0	4 PLACES ± --- ± --- 3 PLACES ± --- ± .006 2 PLACES ± 0.15 ± .01 1 PLACE ± 0.25 ± --- ANGULAR ± 5 °	MM/IN	2:1	METRIC	
	DESCRIPTION	DRAFT WHERE APPLICABLE MUST REMAIN WITHIN DIMENSIONS	DRAWN BY: RSCHIEBER 2005/12/08 CHECKED BY: SSTEINKE 2005/12/08 APPROVED BY: AVOGT 2005/12/08	TITLE	HYPERJACK 1000 POE-MODULE WITH POWER OVER PIN (POP), SWAPPED PORTS	
	REV		MATERIAL NO. SEE SHEET 1	DOCUMENT NO. SD-85586-012	SHEET NO. 3 OF 3	

lb_frame_A2_P_AM_1
Rev. D 2004/06/28