

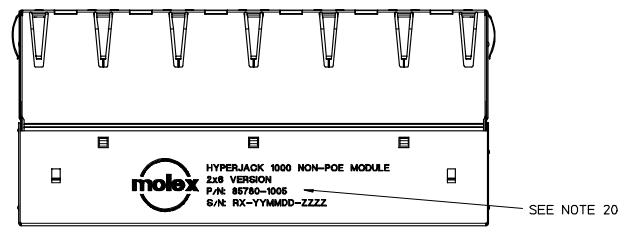
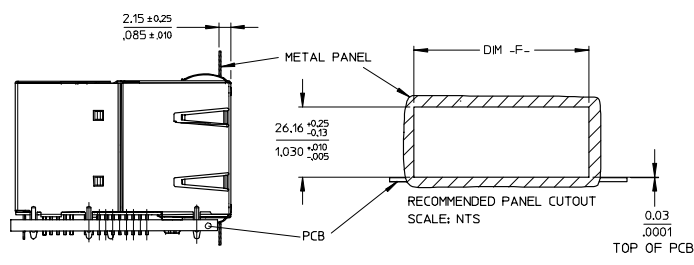
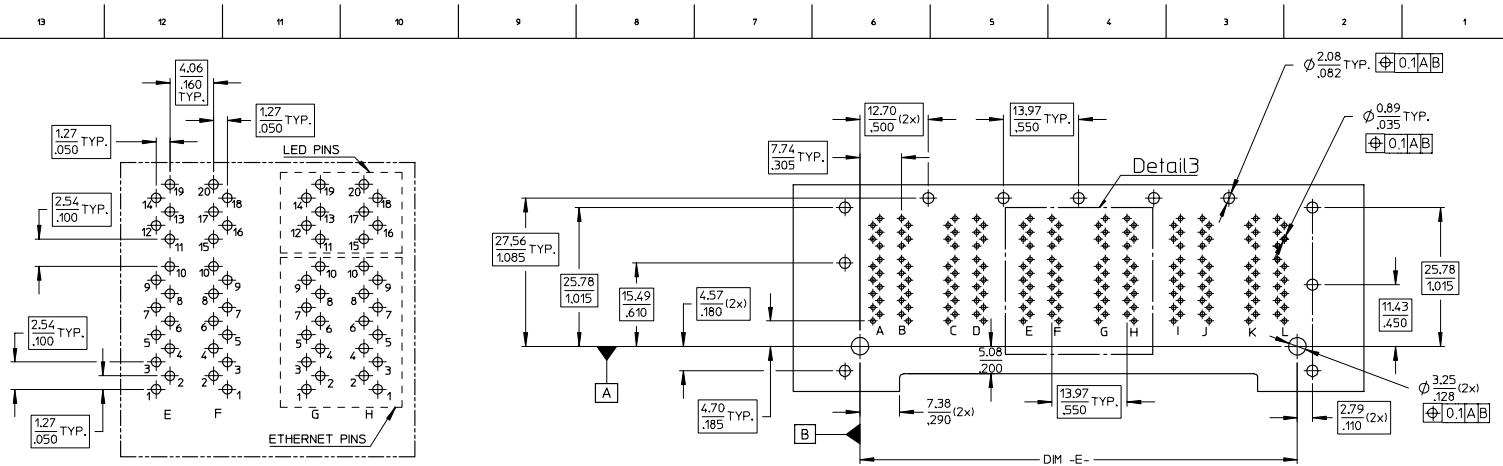
MATERIAL NUMBER	NUMBERS OF PORTS	DIM -C-	DIM -D-	SEE NOTE
85780-1005	6/6	4,0/0,157	3,8/0,150	11

NOTES

- 1- SHIELD MATERIAL: BRASS, PLATING: NICKEL
- 2- HOUSING MATERIAL: THERMOPLASTIC UL 94-V0, COLOR BLACK
- 3- TERMINAL: PHOSPHOR BRONZE
- 4- JACK TO BE MATED WITH FLEET 683 PLUGS (MOLEX-PLUGS: 85568,9504,90075-SERIES)
- 5- PRODUCT SPECIFICATION: PS-85780-001
- 6- PLEASE REQUEST MOLEX FOR A FRENCH INSTALLATION MANUAL IF DISTRIBUTED IN CANADA
- 7- RECOMMENDED PCB LAYOUT AND PANEL CUT OUT SEE SHEET 2
- 8- NO TRACKS WITHOUT INSULATION ALLOWED ON BOARD PCB IN THIS DASHED AREAS UNDER THE METAL SHIELD
- 9- PIN LENGTH FOR RECOMMENDED PCB MAX. THICKNESS OF .340" REFER TO STANDARD IPC 610 REVISION C, CLASS 2
- 10- NO TRACKS WITHOUT INSULATION ALLOWED ON BOARD PCB IN THIS DASHED AREAS UNDER THE METAL SHIELD
- 11- PIN LENGTH FOR RECOMMENDED PCB MAX. THICKNESS OF .340" REFER TO STANDARD IPC 610 REVISION C, CLASS 2
- 12- STAND-OFF PLANE TO CUSTOMER PCB

PATENTS PENDING

REV	DESCRIPTION	QUALITY SYMBOLS	GENERAL TOLERANCES (UNLESS SPECIFIED)		DIMENSION STYLE	SCALE	DESIGN UNITS	THIRD ANGLE PROJECTION	
			mm	INCH					
1	EC NO: MC2007-0068	▽=0	4 PLACES ± .006	± .006	MM/IN	2:1	METRIC	THIRD ANGLE PROJECTION	
2	2006/12/11	▽=0	3 PLACES ± .006	± .006					
3	2006/12/12		2 PLACES ± .015	± .01					
4	2006/12/19		1 PLACE ± .025	± .006					
			ANGULAR ± 5°						
			DRAFT WHERE APPLICABLE MUST REMAIN WITHIN DIMENSIONS						
					DRAWN BY	DATE	TITLE		
					RSCHIEBER	2006/04/21	HJ1000 S&G WITH LED NON POE BASED POE POP SWAPPED PORTS		
					CHECKED BY	DATE			
					MARLT	2006/04/21			
					APPROVED BY	DATE			
					SFILIPON	2006/04/21			
					MATERIAL NO.	DOCUMENT NO.	MOLEX INCORPORATED		
					85780-1005	SD-85780-002			
					SIZE	THIS DRAWING CONTAINS INFORMATION THAT IS PROPRIETARY TO MOLEX INCORPORATED AND SHOULD NOT BE USED WITHOUT WRITTEN PERMISSION			
					A2				



MATERIAL NUMBER	NUMBERS OF PORTS	DIM -E-	DIM -F-
85780-1005	6/6	81.28/3.2	88.01/3.465

NOTES:

20 - INSCRIPTION TO BE MARKED BY LASER PRINTER.  
INSCRIPTION:  
PART NAME  
PART NUMBER  
SERIES NUMBER -> CONNECTOR REVISION - DATE CODE (YEAR, MONTH, DAY) - CONSECUTIVE NUMBER

PATENTS PENDING

QUALITY SYMBOLS	GENERAL TOLERANCES (UNLESS SPECIFIED)		DIMENSION STYLE	SCALE	DESIGN UNITS	THIRD ANGLE PROJECTION
	mm	INCH	MM/IN	2:1	METRIC	⊙
▽=0	4 PLACES ±.006	±.006	DRAWN BY	DATE	TITLE	
▽=0	3 PLACES ±.015	±.01	CHECKED BY	DATE	HJ1000 S&G WITH LED NON POE BASED POE POP SWAPPED PORTS	
	2 PLACES ±0.25	±.01	APPROVED BY	DATE	MOLEX INCORPORATED	
	1 PLACE ±0.25	±.01	DATE	2006/04/21	MATERIAL NO. DOCUMENT NO.	
	ANGULAR ± 5°		DATE	2006/04/21	SEE SHEET 1 SD-85780-002 SHEET NO. 2 OF 2	
DRAFT WHERE APPLICABLE MUST REMAIN WITHIN DIMENSIONS			THIS DRAWING CONTAINS INFORMATION THAT IS PROPRIETARY TO MOLEX INCORPORATED AND SHOULD NOT BE USED WITHOUT WRITTEN PERMISSION			