

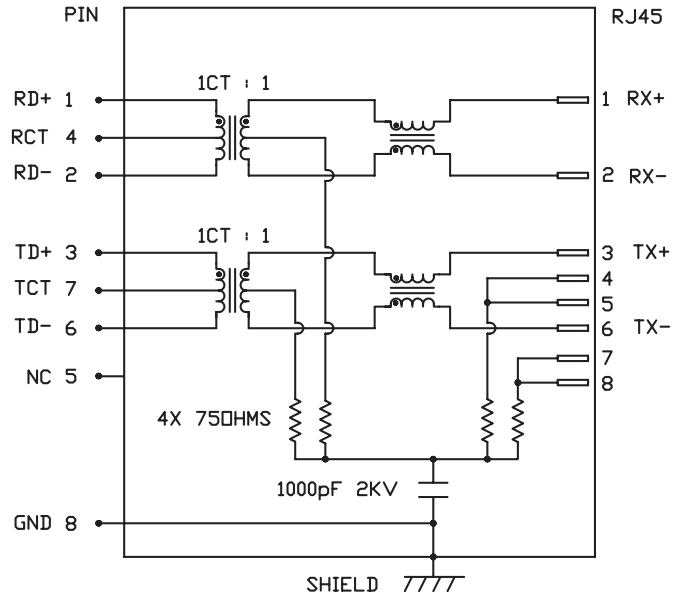
## INTEGRATED CONNECTOR MODULES

0811-2X8R-28-F 10/100Base-TX MagJack® 2 x 8



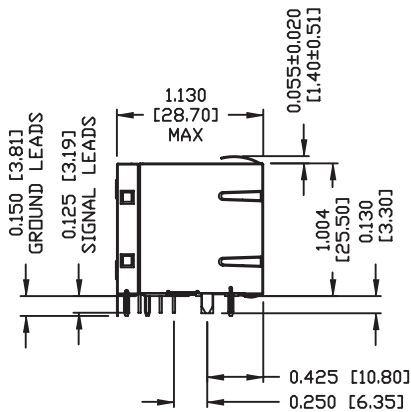
### ELECTRICAL CHARACTERISTICS @ 25°C

RETURN LOSS (MIN.)		
1MHz-30MHz	-18 dB	
60MHz-80MHz	-12 dB	
INSERTION LOSS		
100kHz TO 100MHz	-1.1 dB	
DCL @ 0.1V, 100kHz		
8mA DC BIAS	350µH MIN.	
TURNS RATIO	1CT : 1CT ±3%	
CM TO CM REJ		
100kHz - 100MHz	-35 dB MIN	
CM TO DM REJ		
100kHz - 100MHz	-40 dB MIN	
XTALK		
100kHz TO 100MHz	-35 dB MIN.	



## INTEGRATED CONNECTOR MODULES

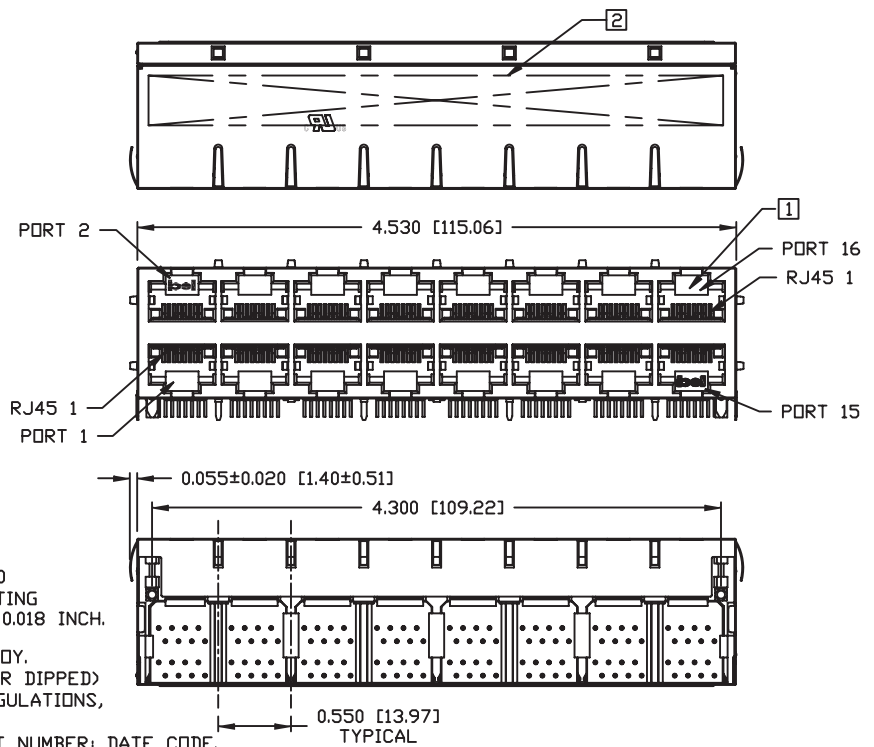
0811-2X8R-28-F 10/100Base-TX MagJack® 2 x 8



**NOTES:**

PLASTIC HOUSING: THERMOPLASTIC PBT  
 FLAMMABILITY RATING UL 94V-0  
 CONTACT PLATING: 30 MICRO-INCH HARD GOLD PLATING  
 OUTPUT PINS: TIN-COATED COPPER WIRE, DIA 0.018 INCH.  
 SOLDERABILITY: PER MIL STD. 202, METHOD 208.  
 METAL SHIELD: NICKEL PLATED ON COPPER ALLOY.  
 (ALL GROUND LEADS ARE SOLDER DIPPED)

1. JACK CAVITY CONFORMS TO FCC RULES AND REGULATIONS, PART 68 SUBPART F.
  2. MARKED PART WITH MFG. LOGO; MFG. NAME; PART NUMBER; DATE CODE.
- UL US UL RECOGNIZED - FILE #E196366 AND E169987.  
 3. RoHS COMPLIANCE, PER EU DIRECTIVE 2002/95/EC



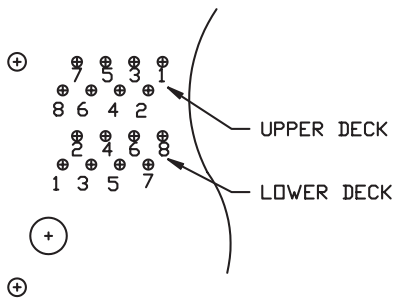
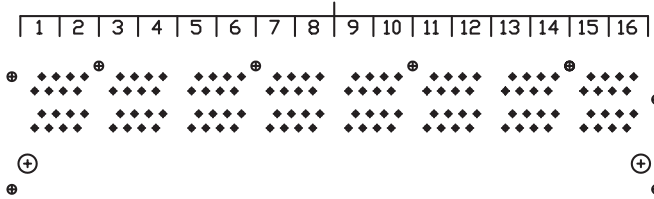
**MagJack®**

# INTEGRATED CONNECTOR MODULES

0811-2X8R-28-F 10/100Base-TX MagJack® 2 x 8

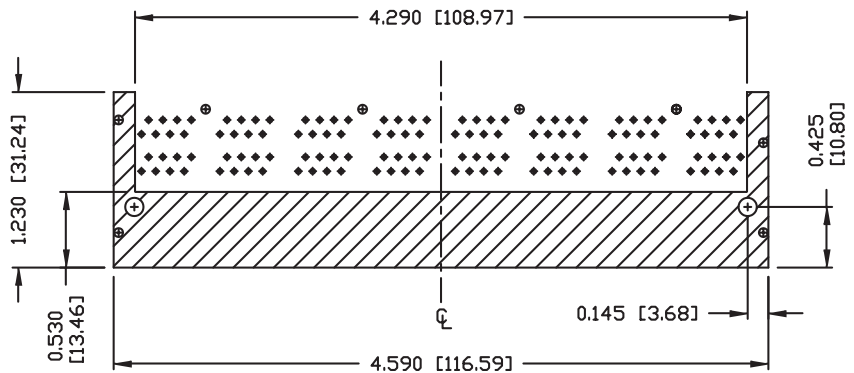


PORT ASSIGNMENT  
(COMPONENT SIDE VIEW)



PIN-OUT INFORMATION  
(COMPONENT SIDE VIEW)

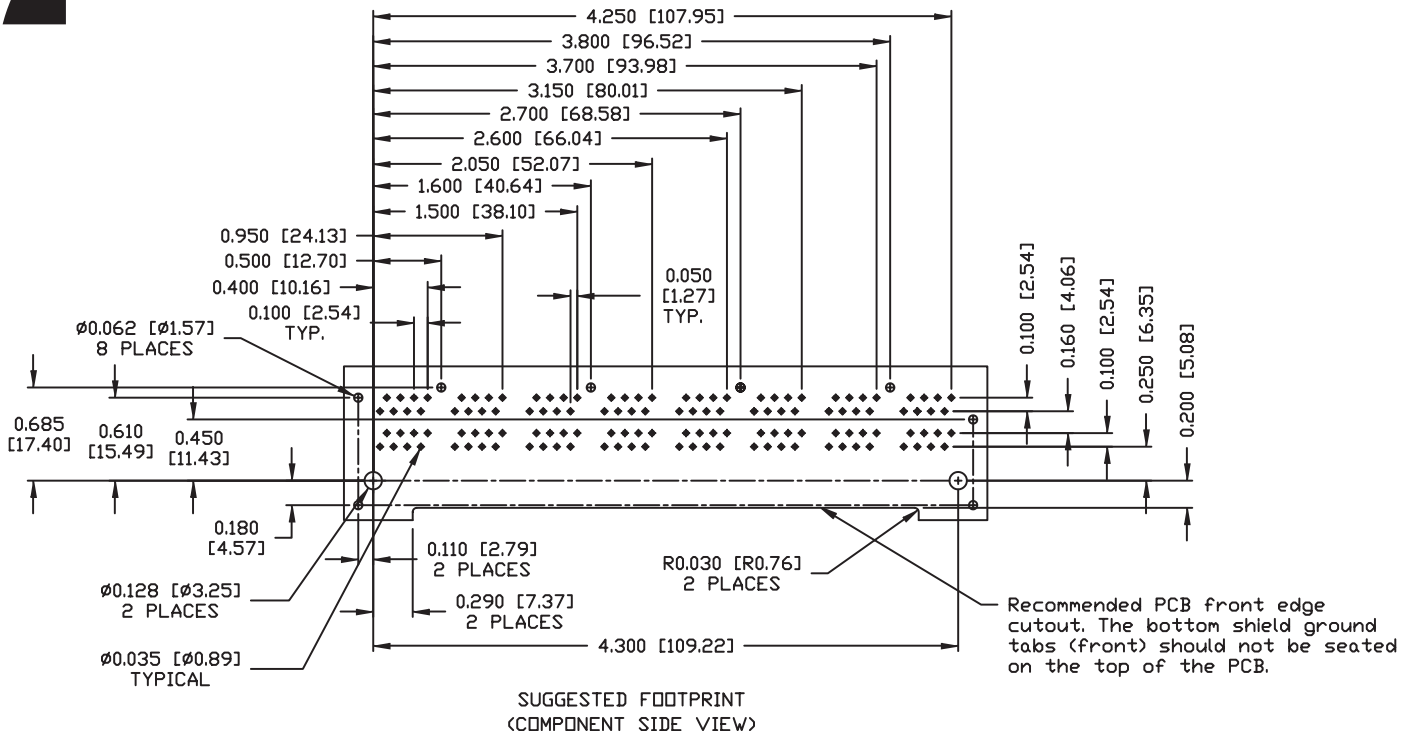
8	GND
7	TCT
6	TD-
5	NC
4	RCT
3	TD+
2	RD-
1	RD+



THE SHADED AREA ON THE CUSTOMER BOARD ARE RECOMMENDED TO BE CLEAR OFF ANY VIA HOLE OR COMPONENT PAD.

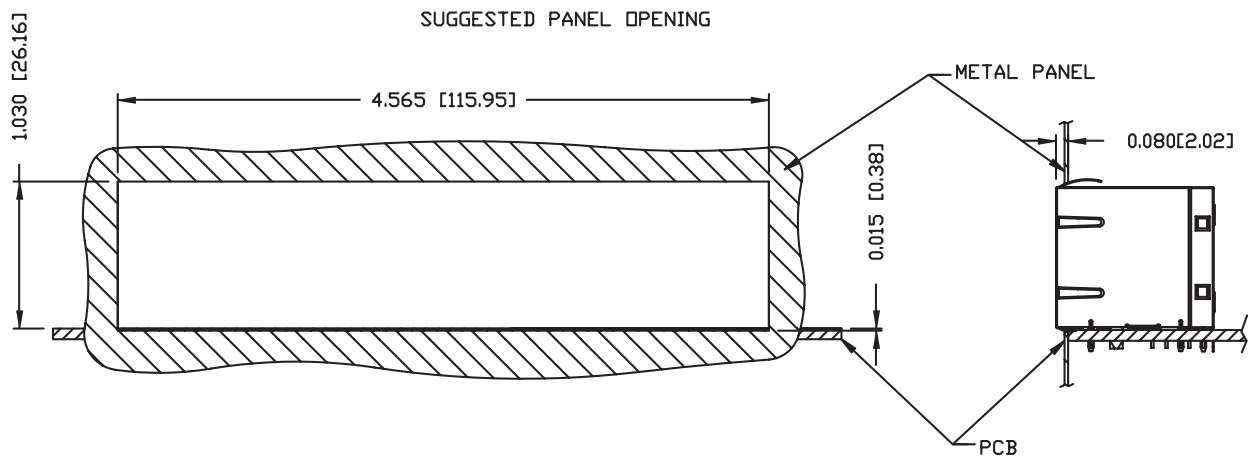
# INTEGRATED CONNECTOR MODULES

0811-2X8R-28-F 10/100Base-TX MagJack® 2 x 8



## INTEGRATED CONNECTOR MODULES

0811-2X8R-28-F 10/100Base-TX MagJack® 2 x 8



**NOTE:**

THE DISTANCE OF PANEL INSIDE SURFACE RELATIVE TO FRONT SURFACE OF PART IS ONLY A SUGGESTION. IN CASE THIS DISTANCE IS DIFFERENT, THE REQUIRED PANEL OPENING DIMENSIONS CHANGE ACCORDINGLY.

**PACKING INFORMATION**

PACKING TRAY : 0200-9999-B2 (TOP)  
0200-9999-B1 (BOTTOM)

PACKING QUANTITY : 10 PCS FINISHED GOODS PER TRAY  
7 TRAYS (70 PCS FINISHED GOODS) PER CARTON BOX

NOTE : CARDBOARDS ARE PLACED BETWEEN LAYERS OF PACKING TRAY INSIDE CARTON BOX  
(INCLUDE THE UPPERMOST AND LOWERMOST TRAY)