

## INTEGRATED CONNECTOR MODULES

### L826-1X4T-43-F Gigabit Ethernet Low Profile MagJack® 1 x 4 with LEDs



THE INFORMATION CONTAINED HEREIN IS CONSIDERED "PROPRIETARY" TO BEL FUSE INC. AND SHALL NOT BE COPIED, REPRODUCED OR DISCLOSED WITHOUT THE WRITTEN APPROVAL OF BEL FUSE INC.

LED1 POLARITY			LED2 POLARITY		
PIN 13	PIN 14	COLOR	PIN 15	PIN 16	COLOR
-	+	YELLOW	-	+	GREEN
			+	-	ORANGE

#### ELECTRICAL CHARACTERISTICS @ 25°C

##### URNS RATIO

TP1	1CT : 1CT ±2%
TP2	1CT : 1CT ±2%
TP3	1CT : 1CT ±2%
TP4	1CT : 1CT ±2%

##### OCL @ 100kHz/100mVRMS

8mA DC BIAS	350µH MIN.
-------------	------------

##### INS. LOSS

0.1MHz TO 1MHz	-1.1 dB MAX
1MHz TO 65MHz	-0.5 dB MAX
65MHz TO 100MHz	-0.8 dB MAX
100MHz TO 125MHz	-1.2 dB MAX

##### RET. LOSS (MIN)

0.5MHz-40MHz	-18 dB
40MHz-100MHz	-12+20LOG(f/80MHz) dB

##### CM TO CM REJ

100kHz - 100MHz	-30 dB MIN
-----------------	------------

##### CM TO DM REJ

100kHz - 100MHz	-35 dB MIN
-----------------	------------

##### HIPOT (Isolation Voltage)

1500 Vrms
-----------

##### LED 1

V <sub>F</sub> (FORWARD VOLTAGE)	IF=20mA YELLOW	2.1V TYP.
----------------------------------	----------------	-----------

λ <sub>D</sub> (DOMINANT WAVELENGTH)	IF=20mA YELLOW	590nm TYP.
--------------------------------------	----------------	------------

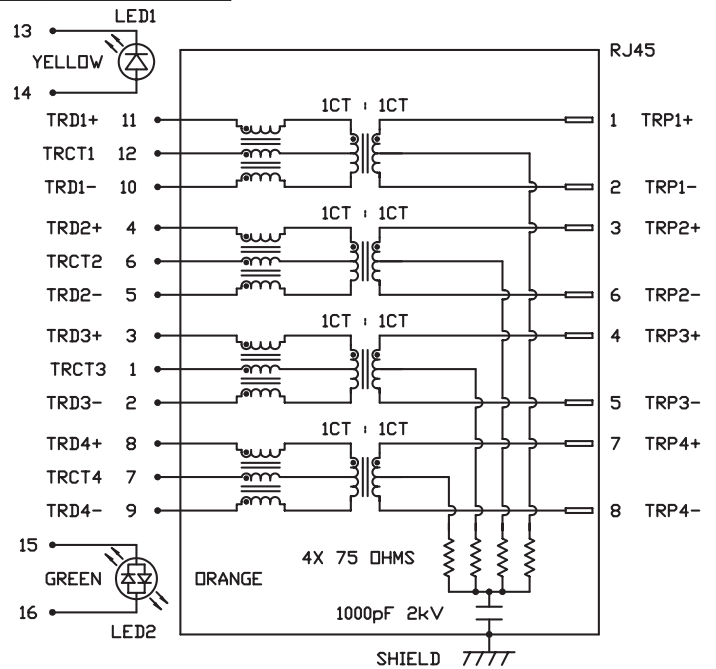
##### LED 2

V <sub>F</sub> (FORWARD VOLTAGE)	IF=20mA GREEN	2.2V TYP.
----------------------------------	---------------	-----------

λ <sub>D</sub> (DOMINANT WAVELENGTH)	IF=20mA ORANGE	2.0V TYP.
--------------------------------------	----------------	-----------

	IF=20mA GREEN	565nm TYP.
--	---------------	------------

	IF=20mA ORANGE	610nm TYP.
--	----------------	------------

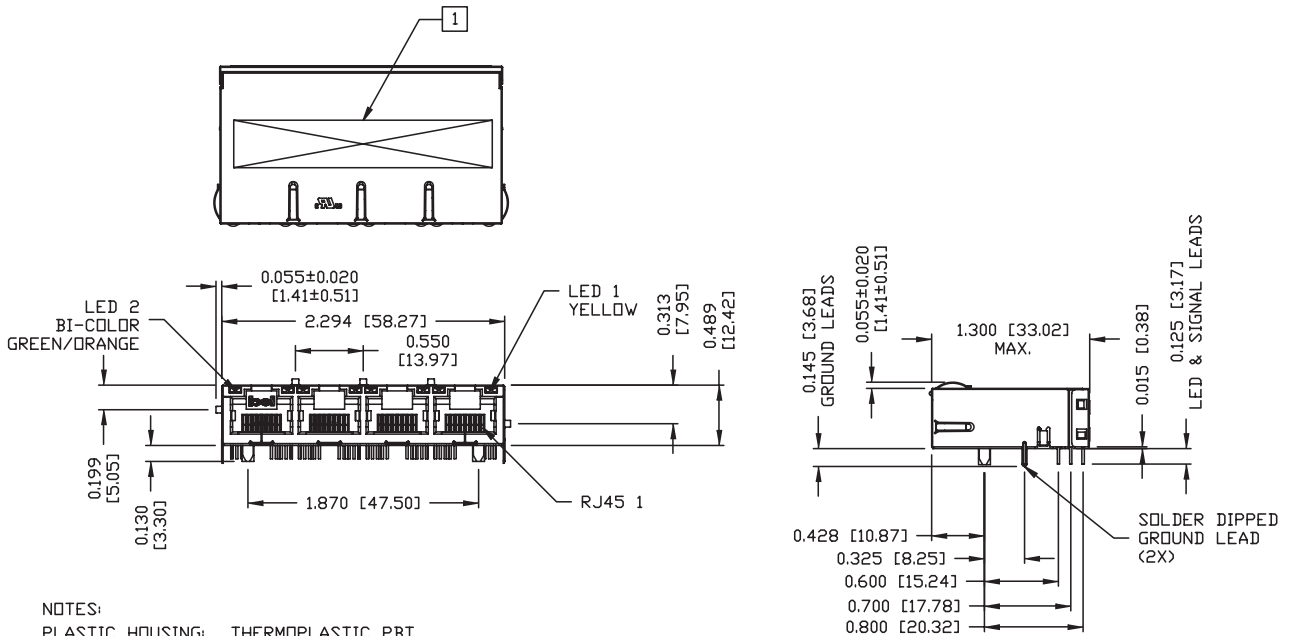


## INTEGRATED CONNECTOR MODULES

### L826-1X4T-43-F Gigabit Ethernet Low Profile MagJack® 1 x 4 with LEDs



THE INFORMATION CONTAINED HEREIN IS CONSIDERED 'PROPRIETARY' TO BEL FUSE INC. AND SHALL NOT BE COPIED, REPRODUCED OR DISCLOSED WITHOUT THE WRITTEN APPROVAL OF BEL FUSE INC.

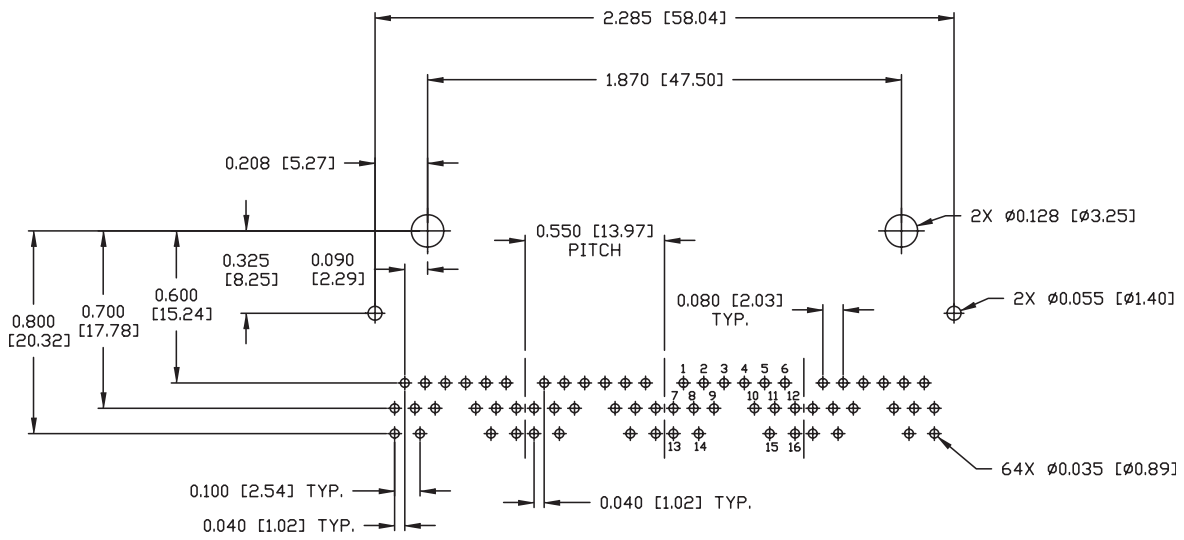


- NOTES:
- PLASTIC HOUSING: THERMOPLASTIC PBT  
FLAMMABILITY RATING UL 94V-0
  - CONTACTS PLATING: 50 MICRO-INCH HARD GOLD PLATING
  - PINS: TIN-COATED COPPER WIRE, DIA 0.018 INCH.
  - METAL SHIELD: NICKEL PLATED ON COPPER ALLOY.  
(ALL GROUND LEADS ARE SOLDER DIPPING)
  - 1 MARK PART WITH MFG. LOGO; MFG. NAME; PART NUMBER; DATE CODE.
  - UL RECOGNIZED - FILE #E196366 AND E169987.
  - RoHS COMPLIANCE, PER EU DIRECTIVE 2002/95/EC.

**INTEGRATED CONNECTOR MODULES**  
**L826-1X4T-43-F Gigabit Ethernet Low Profile MagJack® 1 x 4 with LEDs**



THE INFORMATION CONTAINED HEREIN IS CONSIDERED "PROPRIETARY" TO BEL FUSE INC. AND SHALL NOT BE COPIED, REPRODUCED OR DISCLOSED WITHOUT THE WRITTEN APPROVAL OF BEL FUSE INC.



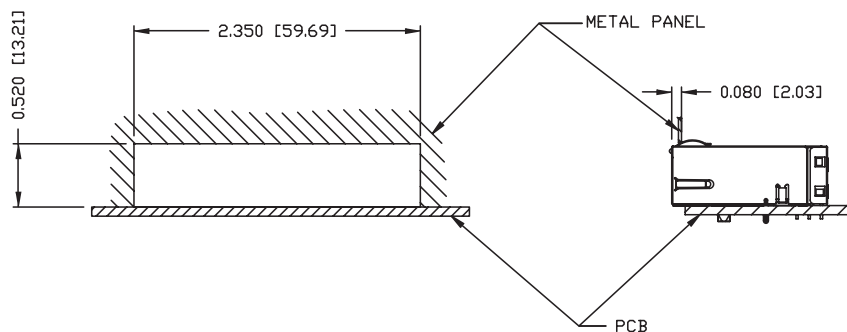
RECOMMENDED PCB FOOTPRINT  
(COMPONENT SIDE VIEW)

**INTEGRATED CONNECTOR MODULES**  
**L826-1X4T-43-F Gigabit Ethernet Low Profile MagJack® 1 x 4 with LEDs**



THE INFORMATION CONTAINED HEREIN IS CONSIDERED PROPRIETARY TO BEL FUSE INC. AND SHALL NOT BE COPIED, REPRODUCED OR DISCLOSED WITHOUT THE WRITTEN APPROVAL OF BEL FUSE INC.

SUGGESTED PANEL OPENING



NOTE:  
 THE DISTANCE OF PANEL INSIDE SURFACE RELATIVE TO FRONT SURFACE OF PART IS ONLY A SUGGESTION. IN CASE THIS DISTANCE IS DIFFERENT, THE REQUIRED PANEL OPENING DIMENSIONS CHANGE ACCORDINGLY.

PACKING INFORMATION

PACKING TRAY: 0200-9999-D3 (TOP)  
 0200-9999-B5 (BOTTOM)

PACKING QUANTITY: 24 PCS FINISHED GOODS PER TRAY

10 TRAYS (240PCS FINISHED GOODS) PER CARTON BOX

NOTE: CARDBOARDS ARE PLACED BETWEEN LAYERS OF PACKING TRAY INSIDE CARTON BOX (INCLUDE THE UPPERMOST AND LOWERMOST TRAY)