

INTEGRATED CONNECTOR MODULES

L826-1X1T-23-F Gigabit Ethernet Low Profile Single Port MagJack® with LEDs



LED1 POLARITY			LED2 POLARITY		
PIN 13	PIN 14	COLOR	PIN 15	PIN 16	COLOR
-	+	YELLOW	-	+	GREEN
			+	-	ORANGE

ELECTRICAL CHARACTERISTICS @ 25°C

TURNS RATIO

TP1	1CT : 1CT ±2%
TP2	1CT : 1CT ±2%
TP3	1CT : 1CT ±2%
TP4	1CT : 1CT ±2%

DCL @ 100kHz/100mVRMS

8mA DC BIAS 350µH MIN.

INS. LOSS

0.1MHz TO 1MHz	-1.1 dB MAX
1MHz TO 65MHz	-0.5 dB MAX
65MHz TO 100MHz	-0.8 dB MAX
100MHz TO 125MHz	-1.2 dB MAX

RET. LOSS (MIN)

0.5MHz-40MHz	-18 dB
40MHz-100MHz	-12+20LOG(f/80MHz) dB

Cross Talk

Ch1-Ch2, Ch2-Ch3, Ch3-Ch4	
Ch4-Ch1, Ch2-Ch4, Ch3-Ch1	
1MHz - 30MHz	-37dB MIN
30MHz - 80MHz	-29dB MIN
80MHz - 100MHz	-28dB MIN

CM TO DM REJ

100kHz - 100MHz -35 dB MIN

HIPDT (Isolation Voltage)

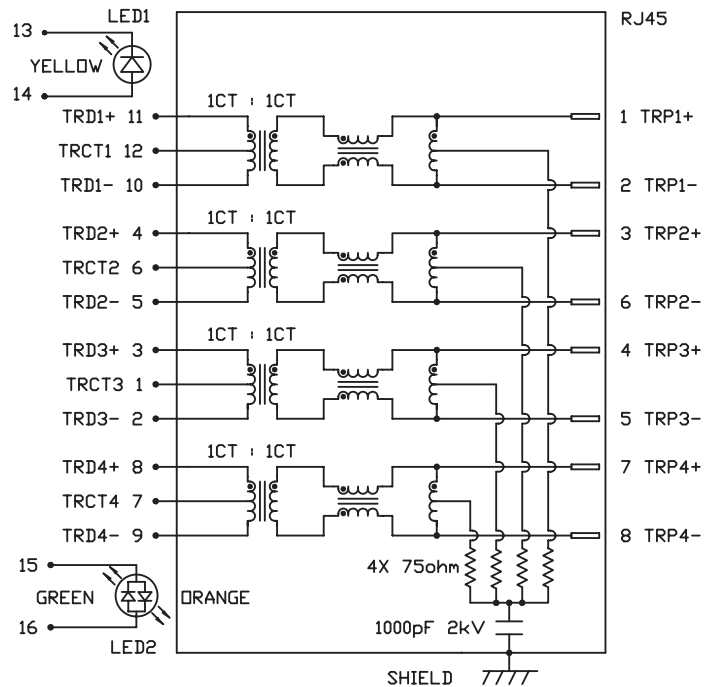
1500 Vrms

LED 1

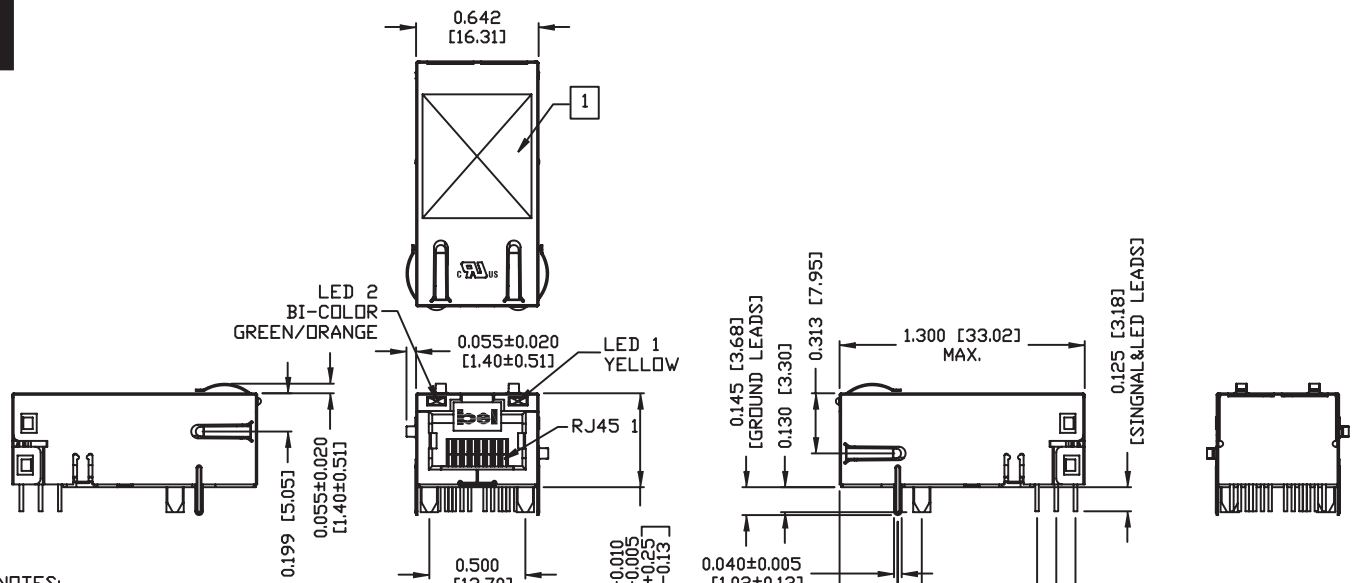
V _F (FORWARD VOLTAGE)	IF=20mA	YELLOW	2.1V TYP.
λ _D (DOMINANT WAVELENGTH)	IF=20mA	YELLOW	590nm TYP.

LED 2

V _F (FORWARD VOLTAGE)	IF=20mA	GREEN	2.2V TYP.
λ _D (DOMINANT WAVELENGTH)	IF=20mA	ORANGE	2.0V TYP.
		GREEN	565nm TYP.
		ORANGE	610nm TYP.



INTEGRATED CONNECTOR MODULES
L826-1X1T-23-F Gigabit Ethernet Low Profile Single Port MagJack® with LEDs



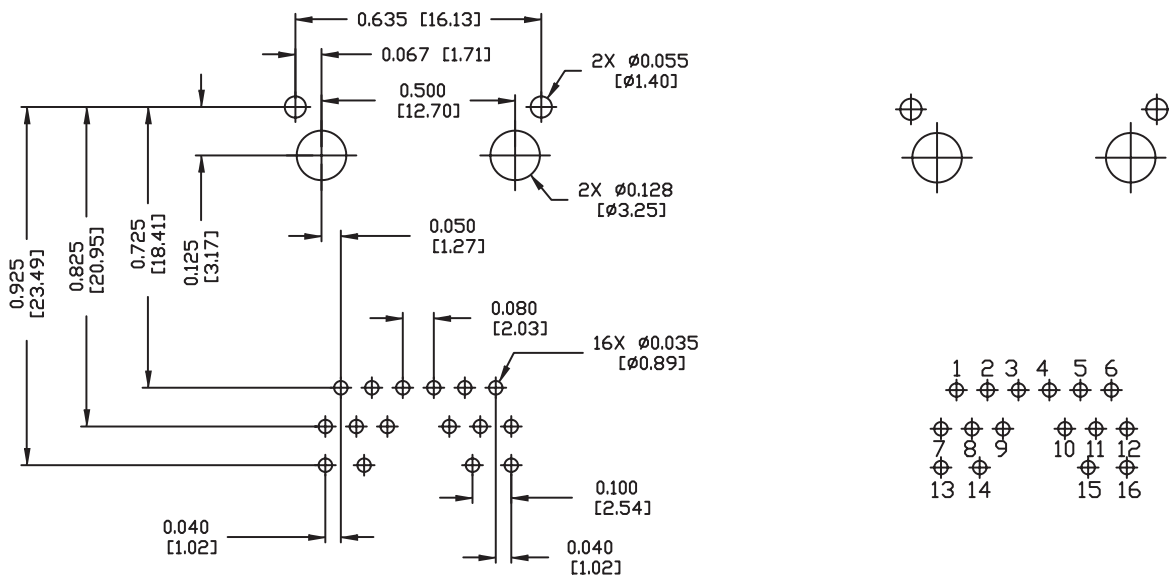
- NOTES:
 PLASTIC HOUSING: THERMOPLASTIC PBT
 FLAMMABILITY RATING UL 94V-0
 CONTACTS PLATING: 50 MICRO-INCH HARD GOLD PLATING
 PINS: TIN-COATED COPPER WIRE, DIA 0.018 INCH.
 METAL SHIELD: NICKEL PLATED ON COPPER ALLOY
 (ALL GROUND LEADS ARE SOLDER DIPPED)
- 1] MARK PART WITH MFG. LOGO; MFG. NAME; PART NUMBER; DATE CODE.
 RoHS COMPLIANCE, PER EU DIRECTIVE 2002/95/EC.
 c us UL RECOGNIZED - FILE #E196366 AND E169987.

INTEGRATED CONNECTOR MODULES
L826-1X1T-23-F Gigabit Ethernet Low Profile Single Port MagJack® with LEDs



RECOMMENDED PCB FOOTPRINT

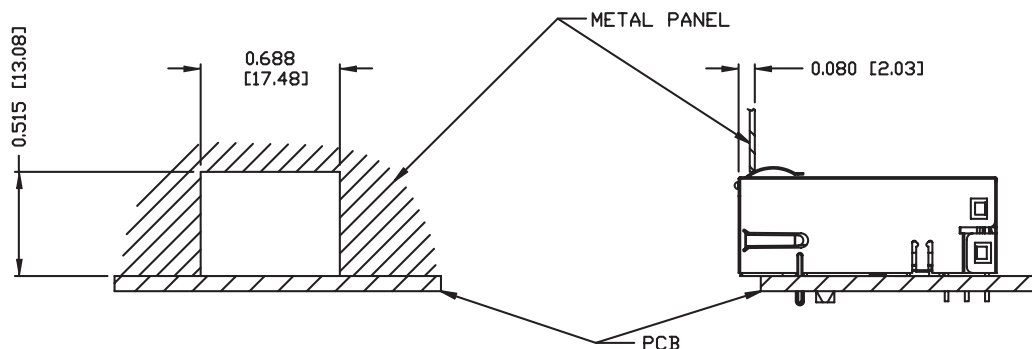
(COMPONENT SIDE VIEW)



INTEGRATED CONNECTOR MODULES
L826-1X1T-23-F Gigabit Ethernet Low Profile Single Port MagJack® with LEDs



SUGGESTED PANEL OPENING



NOTE:

THE DISTANCE OF PANEL INSIDE SURFACE RELATIVE TO FRONT SURFACE OF PART IS ONLY A SUGGESTION. IN CASE THIS DISTANCE IS DIFFERENT, THE REQUIRED PANEL OPENING DIMENSIONS CHANGE ACCORDINGLY.

PACKING INFORMATION

PACKING TRAY: 0200-9999-D6 (TOP)

0200-9999-D7 (BOTTOM)

PACKING QUANTITY: 40 PCS FINISHED GOODS PER TRAY

11 TRAYS (440 PCS FINISHED GOODS) PER CARTON BOX

NOTE: CARDBOARDS ARE PLACED BETWEEN LAYERS OF PACKING TRAY INSIDE CARTON BOX
 (INCLUDE THE UPPERMOST AND LOWERMOST TRAY)