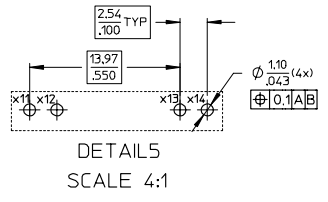
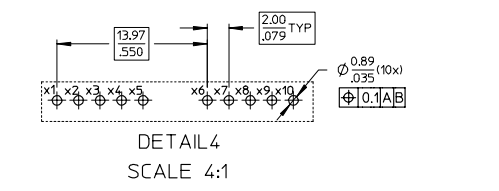
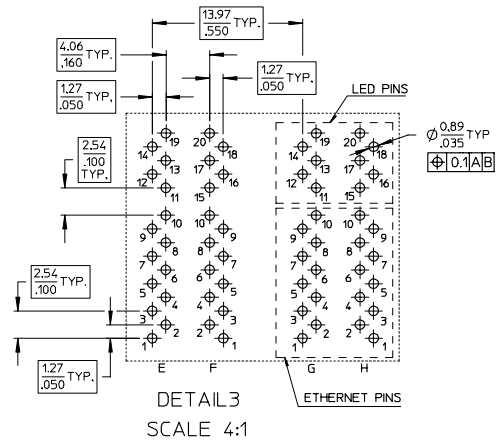


MATERIAL NUMBER	NUMBERS OF PORTS	DIM -C-	DIM -D-	SEE NOTE
85586-1003	4/4	4.0/0.157	3.8/0.150	12

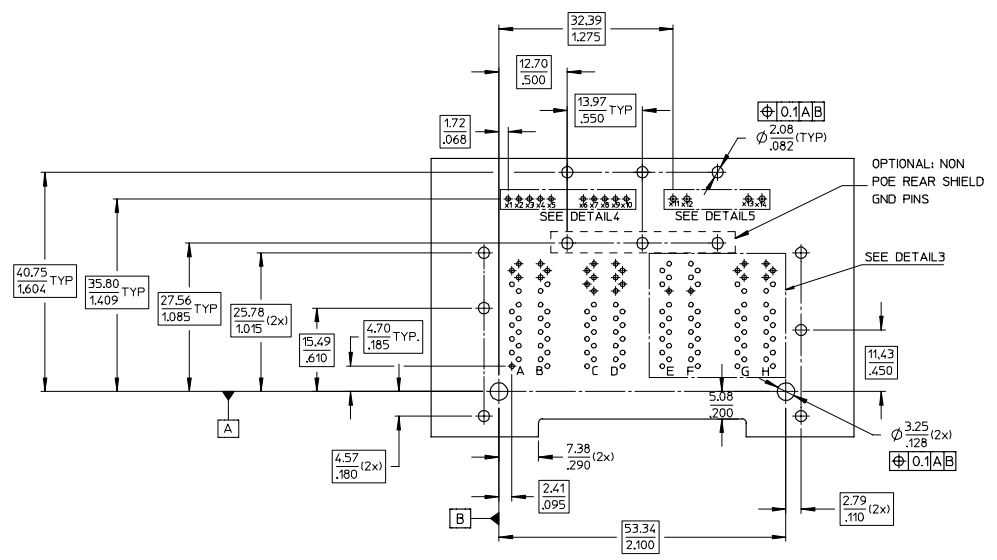
PATENTS PENDING

- NOTES:
- 1- SHIELD MATERIAL: BRASS, PLATING NICKEL
 - 2- HOUSING MATERIAL: THERMOPLASTIC UL 94-V0, COLOR BLACK
 - 3- TERMINAL: PHOSPHOR BRONZE
PLATING:
FASTPLATE OR SPOTPLATE 0.00127 / 0.0005 MN GOLD
OVER 0.00127 / 0.0005 MN NICKEL IN CONTACT AREA
0.00190 / 0.00075 MN 100% TIN IN TAIL AREA, BOTH OVER
0.00127 / 0.00050 MN NICKEL OVER ALL.
 - 4- JACK TO BE MATED WITH FCC-683 PLUGS (MOLEX-PLUGS: 85568.95043.90075-SERIES)
 - 5- PRODUCT SPECIFICATION: PS-85586-001
 - 6- PACKAGING SPECIFICATION: PK-85586-001
 - 7- RECOMMENDED PCB LAYOUT AND PANEL CUT OUT SEE SHEET 2
 - 8- NO TRACES WITHOUT INSULATION ALLOWED ON BOARD PCB IN THIS DASHED AREAS UNDER THE METAL SHIELD
 - 9- PIN LENGTH FOR RECOMMENDED PCB MAX. THICKNESS OF .140" REFER TO STANDARD IPC 610 REVISION C. CLASS 2
 - 10- STAND-OFF PLANE TO CUSTOMER PCB
 - 11- PLEASE REQUEST MOLEX FOR A FRENCH INSTALLATION MANUAL IF DISTRIBUTED IN CANADA

REV	DESCRIPTION	QUALITY SYMBOLS	GENERAL TOLERANCES (UNLESS SPECIFIED)		DIMENSION STYLE		SCALE	DESIGN UNITS	THIRD ANGLE PROJECTION
			mm	INCH	MM/IN	MM/IN			
2	EC NO: M02007-0091 DRAWN: RSCHIEBER CHECKED: CHIKCHARLT APPROVED: AVPGT	▽=0 ▽=0	4 PLACES ±.006 ±.006	3 PLACES ±.006 ±.006	2 PLACES ±.015 ±.01	1 PLACE ±.025 ±.01	2:1	METRIC	THIRD ANGLE PROJECTION
DRAFT WHERE APPLICABLE MUST REMAIN WITHIN DIMENSIONS			ANGULAR ± 5 °		DRAWN BY: RSCHIEBER CHECKED BY: SSTEINKE APPROVED BY: AVPGT		DATE: 2005/12/08	TITLE: HYPERJACK 1000 POE-MODULE 2X4 W. POWER OVER PIN (POP), SWAPPED PORTS	
			MATERIAL NO. SEE CHART		DOCUMENT NO. SD-85586-013		MOLEX INCORPORATED		SHEET NO. 1 OF 3



PATENTS PENDING

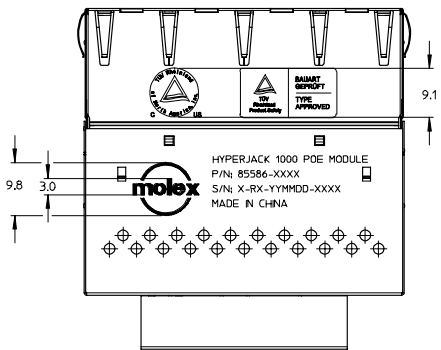


PRELIMINARY FOR
PROTO 1

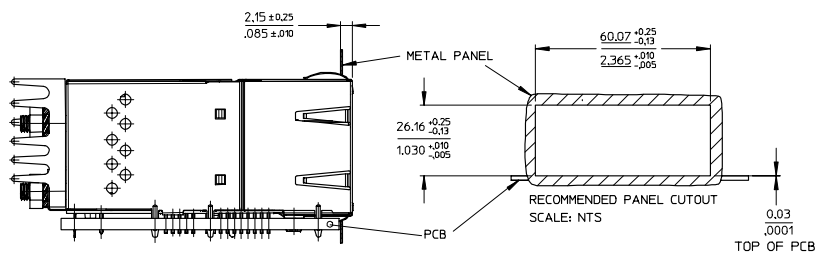
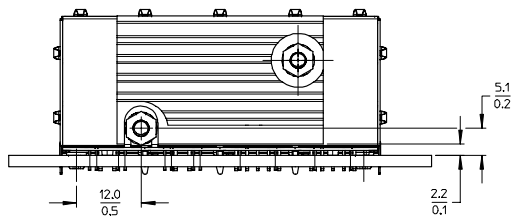
EC NO: MC2007-0091 2007/03/19 DRAWN BY: RRSCHIEBER 2007/03/19 CHECKED BY: CHICKMART 2007/03/26 APPROVED BY: AVOGT	QUALITY SYMBOLS ▽=0 ▽=0	GENERAL TOLERANCES (UNLESS SPECIFIED)		DIMENSION STYLE	SCALE	DESIGN UNITS	THIRD ANGLE PROJECTION	
				MM/IN	2:1	METRIC	⊙	
				mm	INCH	DRAWN BY: RRSCHIEBER DATE: 2005/12/08		
				4 PLACES ±.006	±.006	CHECKED BY: SSTEINKE DATE: 2005/12/08		
		3 PLACES ±.015	±.015	APPROVED BY: AVOGT DATE: 2005/12/08				
		2 PLACES ±.025	±.025	MATERIAL NO. SEE SHEET 1				
		1 PLACE ±.050	±.050	DOCUMENT NO. SD-85586-013				
		ANGULAR ± 5°		MOLEX INCORPORATED				
		DRAFT WHERE APPLICABLE MUST REMAIN WITHIN DIMENSIONS		SIZE A Z		SHEET NO. 2 OF 3		
THIS DRAWING CONTAINS INFORMATION THAT IS PROPRIETARY TO MOLEX INCORPORATED AND SHOULD NOT BE USED WITHOUT WRITTEN PERMISSION								

13 12 11 10 9 8 7 6 5 4 3 2 1

J I H G F E D C B A



NOTES:
 1- MOLEX LOGO, TUV LOGO AND INSCRIPTION TO BE MARKED WITH LASER PRINTER
 2- INSCRIPTION:
 1st LINE: PART NAME
 2nd LINE: PART NUMBER
 3rd LINE: SERIES NUMBER -> MANUFACTURER ID - CONNECTOR REVISION - DATE CODE (YEAR, MONTH, DAY) - CONSECUTIVE NUMBER
 4th LINE: COUNTRY OF ORIGIN



EC NO: MG2007-0091 2007/03/19 DRAWN BY: RSCHIEBER CHECKED BY: CHKOMARLT APPROVED BY: AVOGT 2007/03/26	QUALITY SYMBOLS ▽=0 ▽=0	GENERAL TOLERANCES (UNLESS SPECIFIED)		DIMENSION STYLE	SCALE	DESIGN UNITS	THIRD ANGLE PROJECTION
		mm	INCH	MM/IN	2:1	METRIC	☉
		4 PLACES	± --- ± ---	DRAWN BY: RSCHIEBER	DATE: 2005/12/08	TITLE: HYPERJACK 1000 POE-MODULE 2X4 W. POWER OVER PIN (POP), SWAPPED PORTS	
		3 PLACES	± --- ± .006	CHECKED BY: SSTEINKE	DATE: 2005/12/08	MOLEX INCORPORATED	
		2 PLACES	± 0.15 ± .01	APPROVED BY: AVOGT	DATE: 2005/12/08	DOCUMENT NO. SD-85586-013	
		1 PLACE	± 0.25 ± ---	MATERIAL NO. SEE SHEET 1		SHEET NO. 3 OF 3	
			ANGULAR ± 5 °	DRAFT WHERE APPLICABLE MUST REMAIN WITHIN DIMENSIONS			
				SIZE A THIS DRAWING CONTAINS INFORMATION THAT IS PROPRIETARY TO MOLEX INCORPORATED AND SHOULD NOT BE USED WITHOUT WRITTEN PERMISSION			

lb_frame_A2_P_AM_1
Rev. D 2004/06/28

12 11 10 9 8 7 6 5 4 3 2 1