

INTEGRATED CONNECTOR MODULES

0845-2R1T-E4 Gigabit Ethernet MagJack® 2 x 1 with LEDs



LED1 POLARITY			LED2 POLARITY		
PIN 27	PIN 28	COLOR	PIN 29	PIN 30	COLOR
-	+	GREEN	+	-	YELLOW
-	+	GREEN	-	+	GREEN

ELECTRICAL CHARACTERISTICS @ 25°C

URNS RATIO

TP1
TP2
TP3
TP4

DCL @ 100kHz, 100mVRMS
8mA DC BIAS

INS. LOSS

100kHz TO 100MHz

RET. LOSS (MIN)

1MHz-30MHz -18 dB
30MHz-60MHz -16 dB
60MHz-80MHz -14 dB
80MHz-100MHz -12 dB

CM TO CM REJ

100kHz - 100MHz

CROSS TALK

1MHz - 60MHz -35 dB TYP
60MHz - 100MHz -25 dB TYP

HIPDT (Isolation Voltage):

LEAKAGE INDUCTANCE

PRIMARY W/ SECONDARY SHORTED

INTERWINDING CAPACITANCE

PER CHANNEL (PRI. TO SEC.)

DC RESISTANCE

(21-15)=(16-23)=(24-18)=(19-26)

(RJ1-RJ2)=(RJ3-RJ6)=(RJ4-RJ5)=(RJ7-RJ8)

LED 1

VF (FORWARD VOLTAGE)
λD (DOMINANT WAVELENGTH)

LED 2

VF (FORWARD VOLTAGE)
λD (DOMINANT WAVELENGTH)

ICT : ICT ±2%
ICT : ICT ±2%
ICT : ICT ±2%
ICT : ICT ±2%

350 uH MIN.

-1.1 dB MAX

-18 dB

-16 dB

-14 dB

-12 dB

-25 dB TYP

-35 dB TYP

-25 dB TYP

1500 Vrms

0.3uH Max. @ 1MHz

50pF Max @ 1MHz

1.2 ohms Max

1.2 ohms Max

IF=20mA GREEN 2.2V TYP.

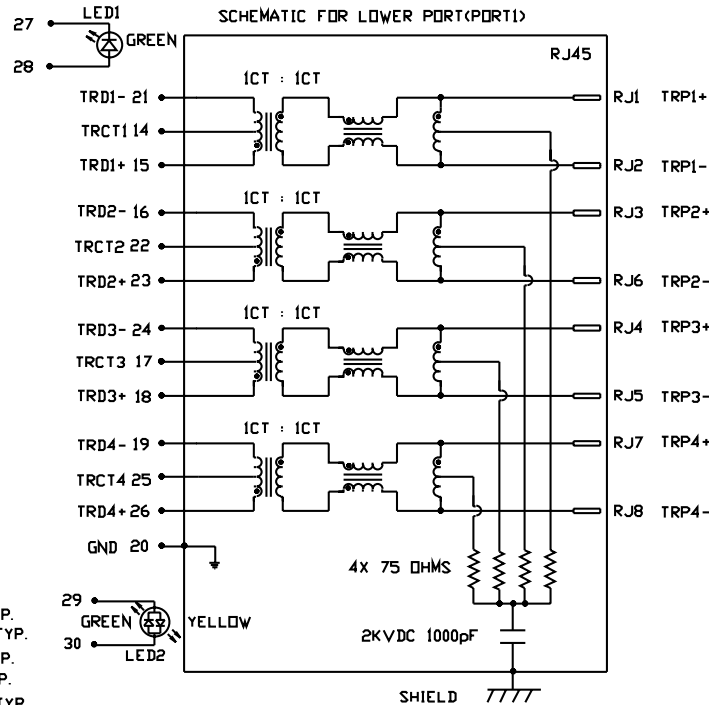
IF=20mA GREEN 565nm TYP.

IF=20mA GREEN 2.2V TYP.

IF=20mA GREEN 565nm TYP.

IF=20mA YELLOW 2.1V TYP.

IF=20mA YELLOW 590nm TYP.



INTEGRATED CONNECTOR MODULES

0845-2R1T-E4 Gigabit Ethernet MagJack® 2 x 1 with LEDs



LED3 POLARITY			LED4 POLARITY		
PIN 31	PIN 32	COLOR	PIN 33	PIN 34	COLOR
-	+	GREEN	+	-	YELLOW
-	+	GREEN	-	+	GREEN

ELECTRICAL CHARACTERISTICS @ 25°C

URNS RATIO

TP1
TP2
TP3
TP4

ICT : ICT ±2%
ICT : ICT ±2%
ICT : ICT ±2%
ICT : ICT ±2%

OCL @ 100kHz, 100mVRMS
8mA DC BIAS

350 uH MIN.

INS. LOSS

100kHz TO 100MHz

-1.1 dB MAX

RET. LOSS (MIN)

1MHz-30MHz
30MHz-60MHz
60MHz-80MHz
80MHz-100MHz

-18 dB
-16 dB
-14 dB
-12 dB

CM TO CM REJ

100kHz - 100MHz

-25 dB TYP

CROSS TALK

1MHz - 60MHz
60MHz - 100MHz

-35 dB TYP
-25 dB TYP

HIPOT (Isolation Voltage):

1500 Vrms

LEAKAGE INDUCTANCE

PRIMARY W/ SECONDARY SHORTED

0.3uH Max. @ 1MHz

INTERWINDING CAPACITANCE

PER CHANNEL (PRI. TO SEC.)

50pF Max @ 1MHz

DC RESISTANCE

(13-6)=(5-1)=(10-3)=(2-8)

1.2 ohms Max

(RJ1-RJ2)=(RJ3-RJ6)=(RJ4-RJ5)=(RJ7-RJ8)

1.2 ohms Max

LED 3

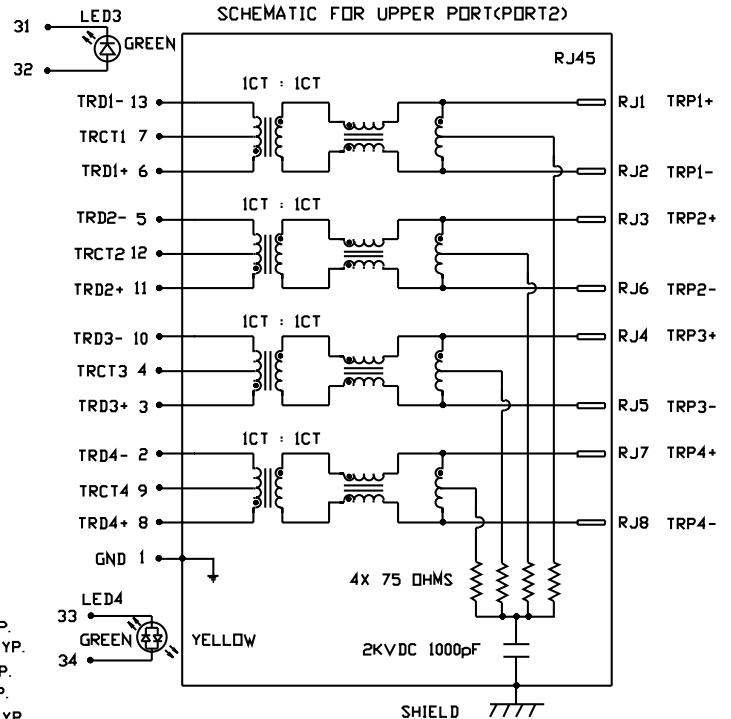
VF (FORWARD VOLTAGE)
λD (DOMINANT WAVELENGTH)

IF=20mA GREEN 2.2V TYP.
IF=20mA GREEN 565nm TYP.

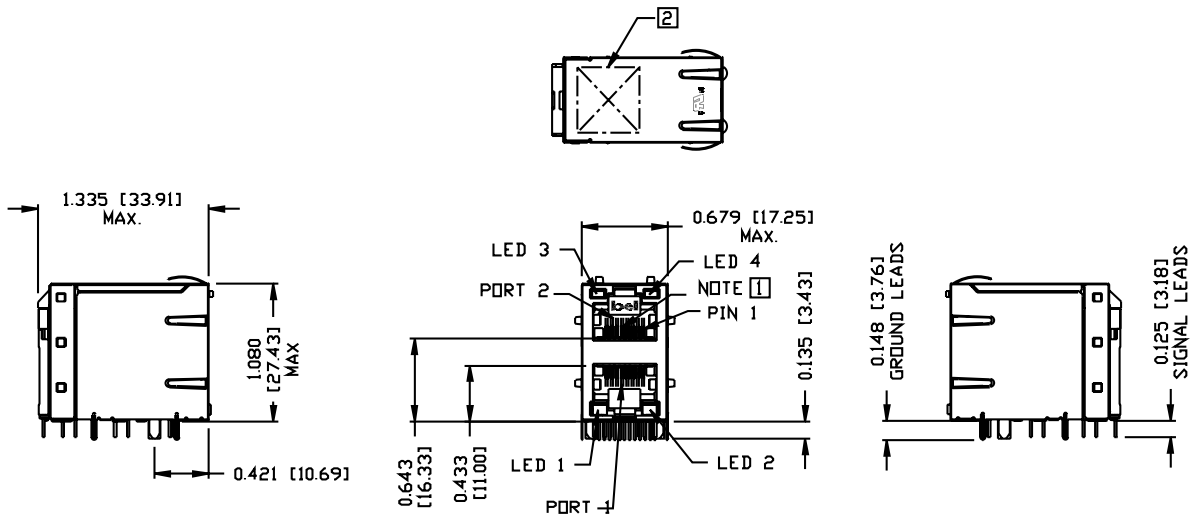
LED 4

VF (FORWARD VOLTAGE)
λD (DOMINANT WAVELENGTH)

IF=20mA GREEN 2.2V TYP.
IF=20mA YELLOW 2.1V TYP.
IF=20mA GREEN 565nm TYP.
IF=20mA YELLOW 590nm TYP.



INTEGRATED CONNECTOR MODULES
0845-2R1T-E4 Gigabit Ethernet MagJack® 2 x 1 with LEDs



NOTES:

- PLASTIC HOUSING: THERMOPLASTIC PBT
FLAMMABILITY RATING UL 94V-0
- CONTACT PLATING: 50 MICRO-INCH HARD GOLD PLATING
- OUTPUT PINS: TIN-COATED COPPER WIRE, DIA 0.018 INCH.
- METAL SHIELD: NICKEL PLATED COPPER ALLOY.
(ALL GROUND LEADS ARE SOLDER DIPPED)

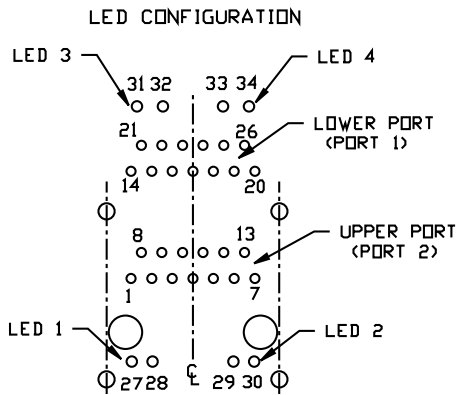
RoHS COMPLIANCE, PER EU DIRECTIVE 2002/95/EC.

[1] JACK CAVITY CONFORMS TO FCC RULES AND REGULATIONS, PART 68 SUBPART F.

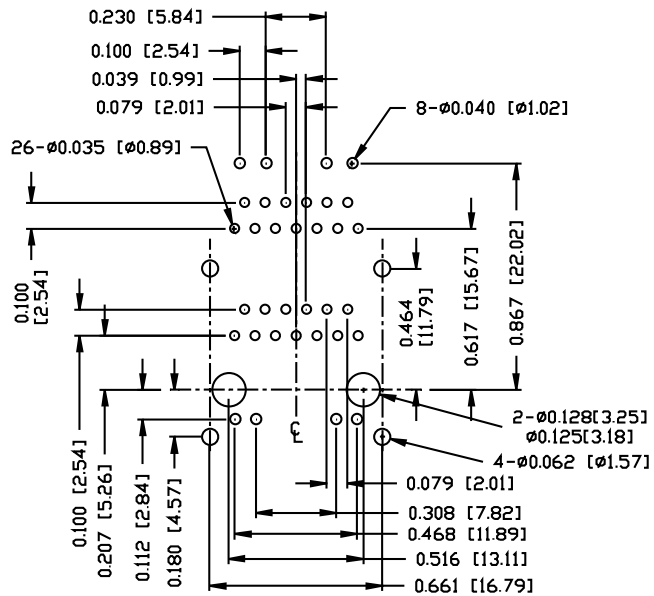
[2] MARK PART WITH MFG LOGO, MFG NAME, PART NUMBER, AND DATE CODE.

UL RECOGNIZED - FILE #E196366 AND E169987.

INTEGRATED CONNECTOR MODULES
0845-2R1T-E4 Gigabit Ethernet MagJack® 2 x 1 with LEDs

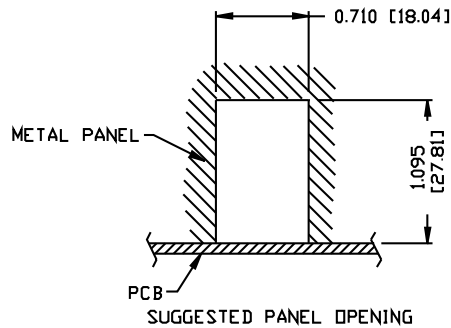
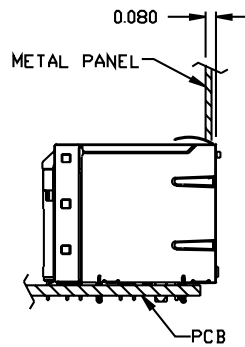


PIN-OUT INFORMATION
 (COMPONENT SIDE VIEW)
 (SCALE 2:1)



SUGGESTED FOOTPRINT
 (COMPONENT SIDE VIEW)
 (SCALE 2:1)

INTEGRATED CONNECTOR MODULES
0845-2R1T-E4 Gigabit Ethernet MagJack® 2 x 1 with LEDs



NOTE:

THE DISTANCE OF PANEL INSIDE SURFACE RELATIVE TO FRONT SURFACE OF PART IS ONLY A SUGGESTION. IN CASE THIS DISTANCE IS DIFFERENT, THE REQUIRED PANEL OPENING DIMENSIONS CHANGE ACCORDINGLY.

PACKING INFORMATION

PACKING TRAY: 0200-9999-H5 (TOP)
 0200-9999-H6 (BOTTOM)

PACKING QUANTITY: 40 PCS FINISHED GOODS PER TRAY
 6 TRAYS (240 PCS FINISHED GOODS) PER CARTON BOX.

NOTE: CARDBOARD ARE PLACED BETWEEN LAYERS OF PACKING TRAY INSIDE CARTON BOX.
 (INCLUDE THE UPPERMOST AND LOWEREST TRAY)