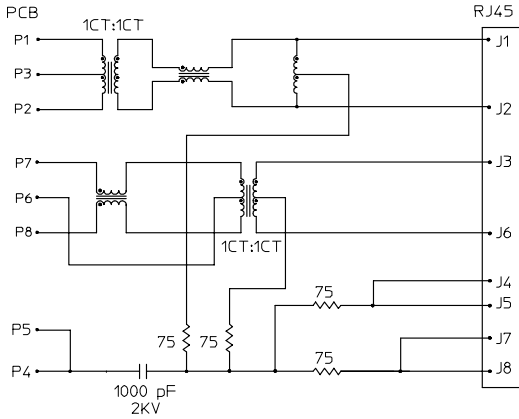


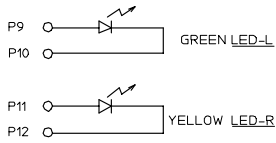
- NOTES:
- MATERIAL: METAL SHELL: BRASS. HOUSING: HIGH TEMP THERMOPLASTIC, GLASS FIBER FILLED, UL94V-0, COLOR: BLACK. INSERT: HIGH TEMP THERMOPLASTIC, GLASS FIBER FILLED, UL94V-0, COLOR: BLACK. TERMINAL: PHOSPHOR BRONZE. RESIN: UEP-700
 - PLATING: TERMINAL: CONTACT AREA: GOLD (Au), THICKNESS=50 MICROINCH/1.27 MICROMETER MINIMUM. SOLDER TAIL: TIN(Sn), THICKNESS=100 MICROINCH/2.54 MICROMETER MINIMUM. UNDER PLATE: NICKEL (Ni). METAL SHELL: SOLDER TAIL: TIN(Sn), THICKNESS=100 MICROINCH MINIMUM. UNDER PLATE: NICKEL (Ni) (SOLDERING AVAILABLE). SURFACE APPEARANCE: BRIGHT.
 - RECOMMENDED PCB THICKNESS: 1.60±0.05
 - PRODUCT SPECIFICATION REFER TO PS-48025-004
 - TEST SUMMARY REFER TO TS-48025-006
 - PACKAGING SPECIFICATION REFER TO PK-48025-001
 - LEAD FREE AND ROHS COMPLIANCE PRODUCT
 - IR REFLOW APPLICATION PRODUCT

TOOLING RELEASED EC NO: SH2006-0106 DRWN: ALLIN CHYD: APPR: WMSCHANG 2005/10/07 2005/10/12 2005/10/13	DESCRIPTION A	QUALITY SYMBOLS ▽=0 ▽=0	GENERAL TOLERANCES (UNLESS SPECIFIED)		DIMENSION STYLE	SCALE	DESIGN UNITS	THIRD ANGLE PROJECTION		
					MM ONLY	1:1	METRIC			
			4 PLACES	±---	±---	DRAWN BY	DATE	TITLE		
			3 PLACES	±---	±---	LINDA	2005/08/26	MODR JK RA DIP WITH LED MAGNETICS FOR IR REFLOW (LEAD FREE VERSION)		
2 PLACES	±0.25	±---	1 PLACES	±0.25	±---	APPROVED BY	DATE	MOLEX INCORPORATED		
ANGULAR ± 3°			MATERIAL NO.		DOCUMENT NO.		SHEET NO.			
DRAFT WHERE APPLICABLE MUST REMAIN WITHIN DIMENSIONS			48025-0002		SD-48025-006		1 OF 2			
			SIZE		THIS DRAWING CONTAINS INFORMATION THAT IS PROPRIETARY TO MOLEX INCORPORATED AND SHOULD NOT BE USED WITHOUT WRITTEN PERMISSION					
			A4							

7 6 5 4 3 2 1



MAGNETIC SCHEMATIC



LED SCHEMATIC

MAGNETIC ELECTRICAL SPECIFICATION

PARAMETER	SPECIFICATIONS		
	100 KHz	1-125 MHz	
INSERTION LOSS	1.2 dB MAX	0.2+0.002*f~1.4 dB MAX	
RETURN LOSS (Z OUT=100 OHM±15%)	.1-30 MHz	30-60 MHz	60-80 MHz
	16 dB MIN	10-20*LOG ₁₀ (f/60 MHz) dB MIN.	10 dB MIN.
INDUCTANCE (OCL) (MEDIA SIDE, 0° ±70° C)	350 uH MIN (MEASURED AT 100 KHz, 100 uVRMS AND WITH 8 mA DC BIAS)		
CROSSTALK, ADJACENT CHANNELS	1 MHz	10-100 MHz	
	50 dB MIN	50-17*LOG ₁₀ (f/10) dB MIN.	
COMMON MODE REJECTION RATIO	2 MHz	30-200 MHz	
	50 dB MIN	15-20*LOG ₁₀ (f/200) dB MIN.	
DC RESISTANCE 1/2 WINDING	0.60 OHMS MAX.		
DC RESISTANCE IMBALANCE	±0.065 OHMS MAX (CENTER TAP SYMMETRY)		
HI-POT ISOLATION	1500 VRMS AC		

NOTE: f IS FREQUENCY IN MHz.

LED ELECTRICAL SPECIFICATION

PARAMETER	YELLOW (TYP.)	GREEN (TYP.)	UNITS	TEST CONDITIONS
POWER DISSIPATION	105	105	mW	
REVERSE VOLTAGE	5	5	V	
PEAK WAVELENGTH	590	565	nm	IF=20mA
FORWARD VOLTAGE	2.1 MAX.=2.5	2.2 MAX.=2.5	V	IF=20mA

SEE SHEET 1 EC NO: SH2006-0106 DRWN:ALLIN 2005/10/07 CHKD: 2005/10/12 APPR:WMSCHANG 2005/10/13 A REV	QUALITY SYMBOLS	GENERAL TOLERANCES (UNLESS SPECIFIED)	DIMENSION STYLE	SCALE	DESIGN UNITS	THIRD ANGLE PROJECTION															
	▽=0 ▽=0	<table border="1"> <tr> <th></th> <th>mm</th> <th>INCH</th> </tr> <tr> <td>4 PLACES</td> <td>±---</td> <td>±---</td> </tr> <tr> <td>3 PLACES</td> <td>±---</td> <td>±---</td> </tr> <tr> <td>2 PLACES</td> <td>±0.25</td> <td>±---</td> </tr> <tr> <td>1 PLACE</td> <td>±0.25</td> <td>±---</td> </tr> </table> ANGULAR ± 3°		mm	INCH	4 PLACES	±---	±---	3 PLACES	±---	±---	2 PLACES	±0.25	±---	1 PLACE	±0.25	±---	MM ONLY	1:1	METRIC	
		mm	INCH																		
	4 PLACES	±---	±---																		
3 PLACES	±---	±---																			
2 PLACES	±0.25	±---																			
1 PLACE	±0.25	±---																			
DRAFT WHERE APPLICABLE MUST REMAIN WITHIN DIMENSIONS	DRAWN BY LINDA DATE 2005/08/26 CHECKED BY ALLEN LIN DATE 2005/08/26 APPROVED BY WILSON CHANG DATE 2005/08/26 MATERIAL NO. 48025-0002 DOCUMENT NO. SD-48025-006 SHEET NO. 2 OF 2	TITLE MODR JK RA DIP WITH LED MAGNETICS FOR IR REFLOW (LEAD FREE VERSION) MOLEX INCORPORATED																			
THIS DRAWING CONTAINS INFORMATION THAT IS PROPRIETARY TO MOLEX INCORPORATED AND SHOULD NOT BE USED WITHOUT WRITTEN PERMISSION																					

fb_frame_A4_P_AM_T
Rev. D 2004/06/28

6 5 4 3 2 1