

NOTES:

- MATERIAL:
 METAL SHELL: BRASS
 HOUSING: POLYAMIDE,UL94-0,COLOR BLACK
 INSERT: POLYAMIDE,UL94-0,COLOR BLACK
 TERMINAL: PHOSPHOR BRONZE
- PLATING:
 TERMINAL:
 CONTACT AREA: GOLD(Au),THICKNESS=50 MICROINCH/1.27 MICROMETER
 SOLDER TAIL: TIN(Sn),THICKNESS=100 MICROINCH MINIMUM
 UNDER PLATE: NICKEL (Ni),THICKNESS=50 MICROINCH/1.27 MICROMETER
 METAL SHELL:
 SOLDER AREA: TIN(Sn),THICKNESS=100 MICROINCH MINIMUM
 UNDER PLATE: NICKEL (Ni),(SOLDERING AVAILABLE)
 SURFACE APPEARANCE: BRIGHT.
- RECOMMENDED PCB THICKNESS: 1.60±0.05
- PRODUCT SPECIFICATION REFER TO PS-48025-002
- TEST SUMMARY REFER TO TS-48025-005
- PACKAGING SPECIFICATION REFER TO PK-48025-001
- LEAD FREE AND ROHS COMPLIANCE PRODUCT.

| | | | | | | | | | |
|---|--|--------------------------|---------------------------------------|---|-----------------|--------------------|--|------------------------|--|
| NEW RELEASE EC NO: SH2006-0020 DRWN:ALLIN CHYD: APPR:WNSCHANG 2005/08/01 2005/08/02 2005/08/02 | DESCRIPTION A | QUALITY SYMBOLS | GENERAL TOLERANCES (UNLESS SPECIFIED) | | DIMENSION STYLE | SCALE | DESIGN UNITS | THIRD ANGLE PROJECTION | |
| | | $\nabla=0$ $\nabla=0$ | mm | INCH | MM ONLY | 1:1 | METRIC | | |
| | | 4 PLACES | ±--- | ±--- | DRAWN BY | DATE | TITLE | | |
| | | 3 PLACES | ±--- | ±--- | COLIN DUAN | 2005/06/01 | MODULAR JACK WITH INTEGRATED MAGNETICS LED (LEAD FREE VERSION) | | |
| | 2 PLACES | ±0.25 | ±--- | CHECKED BY | DATE | MOLEX INCORPORATED | | | |
| | 1 PLACE | ±0.25 | ±--- | ALLEN LIN | 2005/06/01 | | | | |
| | ANGULAR ± 3 ° | | APPROVED BY | | DATE | | | | |
| | DRAFT WHERE APPLICABLE MUST REMAIN WITHIN DIMENSIONS | | WILSON CHANG | | 2005/06/01 | | | | |
| | | | MATERIAL NO. | DOCUMENT NO. | | | | | |
| | | | 48025-4000 | SD-48025-005 | | | | | |
| | | | SIZE | THIS DRAWING CONTAINS INFORMATION THAT IS PROPRIETARY TO MOLEX INCORPORATED AND SHOULD NOT BE USED WITHOUT WRITTEN PERMISSION | | | | | |
| | | | A4 | | | SHEET NO. 1 OF 2 | | | |

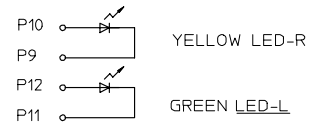
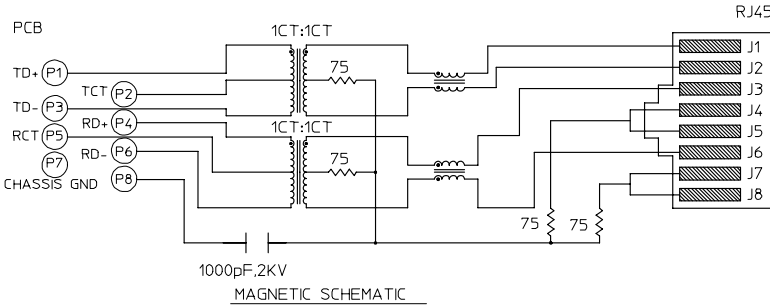
7 6 5 4 3 2 1

MAGNETIC ELECTRICAL SPECIFICATIONS:

- 1.0 TURNS RATIO:(P4-P5-P6):(J3-J6):1CT:1CT
(P3-P2-P1):(J1-J2):1CT:1CT
- 2.0 INDUCTANCE:(P4-P6):350uH MIN. @0.1V,100KHz,8mA DC Bias.
(P3-P1):350uH MIN. @0.1V,100KHz,8mA DC Bias.
- 3.0 LEAKAGE INDUCTANCE:P6-P5-P4(WITH J6 AND J3 SHORT):0.3 MAX.@1MHz.
P3-P2-P1(WITH J2 AND J1 SHORT):0.3 MAX.@1MHz.
- 4.0 INTERWINDING CAPACITANCE:(P6,P5,P4) TO (J6,J3):30pf MAX @1MHz.
(P3,P2,P1) TO (J2,J1):30pf MAX @1MHz.
- 5.0 DC RESISTANCE:(J6-J3)=(J2-J1):1.3 ohms Max.
- 6.0 RETURN LOSS:(P4-P6)(P1-P3)
1MHz TO 30MHz:18dB min.
30MHz TO 80MHz:12dB min.
- NOTE:100 OHMS CONNECTED TO (J2-J1) OR (J3-J6).
- 7.0 HI-POT:(J1,J2) TO (P1,P3):1500 VAC OR 2250 VDC.
J3,J6) TO (P4,P6):1500 VAC OR 2250 VDC.
- 8.0 INSERTION LOSS:1.1 dB MAX.
100KHz TO 100MHz.
- 9.0 CROSS TALK:1-100 MHz:30 dB MIN.
- 10.0 COMMON TO COMMON MODE REJECTION:1MHz TO 100MHz:35 dB MIN.

LED ELECTRICAL SPECIFICATION

| PARAMETER | YELLOW (TYP.) | GREEN (TYP.) | UNITS | TEST CONDITIONS |
|-------------------|---------------|--------------|-------|----------------------|
| POWER DISSIPATION | 105 | 105 | mW | |
| REVERSE VOLTAGE | 5 | 5 | V | |
| PEAK WAVELENGTH | 585 | 565 | nm | I _F =20mA |
| FORWARD VOLTAGE | 2.1 MAX.=2.5 | 2.2 MAX.=2.5 | V | I _F =20mA |



| | | | | | | | | |
|---|--------------------|-----------------|---|--|---|--------------|------------------------|--|
| SEE SHEET 1 EC NO: SH2006-0020 DRWN:ALLIN CHYD: APPR:WMSCHANG 2005/08/01 2005/08/02 2005/08/02 | DESCRIPTION REV | QUALITY SYMBOLS | GENERAL TOLERANCES (UNLESS SPECIFIED) | DIMENSION STYLE | SCALE | DESIGN UNITS | THIRD ANGLE PROJECTION | |
| | | ▼=0 ▽=0 | mm INCH 4 PLACES ±--- ±--- 3 PLACES ±--- ±--- 2 PLACES ±0.25 ±--- 1 PLACE ±0.25 ±--- ANGULAR ± 3 ° | MM ONLY | 1:1 | METRIC | | |
| | | | DRAFT WHERE APPLICABLE MUST REMAIN WITHIN DIMENSIONS | DRAWN BY COLIN DUAN CHECKED BY ALLEN LIN APPROVED BY WILSON CHANG DATE 2005/06/01 DATE 2005/06/01 DATE 2005/06/01 | TITLE MODULAR JACK WITH INTEGRATED MAGNETICS LED (LEAD FREE VERSION) | | MOLEX INCORPORATED | |
| | | | | MATERIAL NO. 48025-4000 DOCUMENT NO. SD-48025-005 SHEET NO. 2 OF 2 | THIS DRAWING CONTAINS INFORMATION THAT IS PROPRIETARY TO MOLEX INCORPORATED AND SHOULD NOT BE USED WITHOUT WRITTEN PERMISSION | | | |

6 5 4 3 2 1