

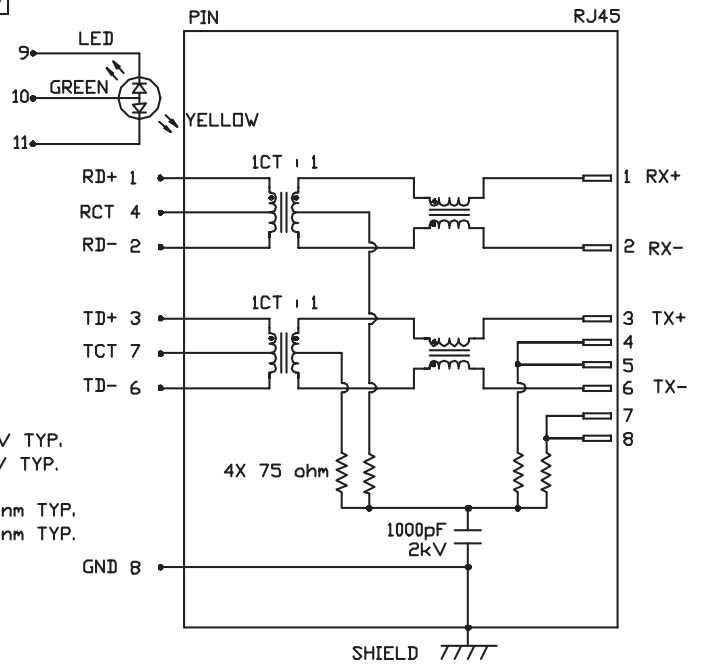
INTEGRATED CONNECTOR MODULES
0810-2H4R-28-F 10/100Base-TX MagJack® 2 x 4 with LEDs



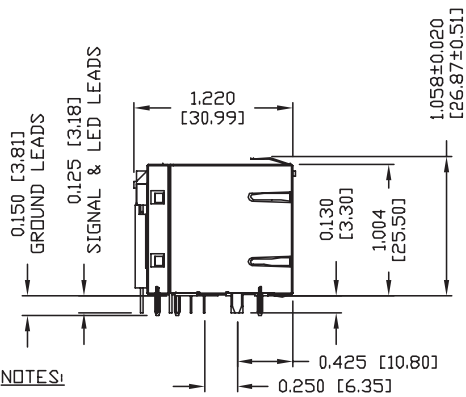
LED POLARITY			
PIN 9	PIN 10	PIN 11	COLOR
-	+	/	GREEN
/	+	-	YELLOW

ELECTRICAL CHARACTERISTICS @ 25°C

RETURN LOSS (MIN.)				
1MHz-30MHz			-18 dB	
60MHz-80MHz			-12 dB	
INSERTION LOSS				
100KHz TO 100MHz			-1.1 dB	
DCL @ 0.1V, 100KHz				
8mA DC BIAS			350µH MIN.	
TURNS RATIO			1CT : 1CT ±3%	
XTALK				
100KHz TO 100MHz			-35 dB MIN.	
LED				
VF (FORWARD VOLTAGE)	IF=20mA	YELLOW / GREEN	2.2V TYP.	
		YELLOW	2.1V TYP.	
λD (DOMINANT WAVELENGTH)	IF=20mA	YELLOW / GREEN	570nm TYP.	
		YELLOW	590nm TYP.	
HIPOT (Isolation Voltage):			1500 Vrms	



INTEGRATED CONNECTOR MODULES
0810-2H4R-28-F 10/100Base-TX MagJack® 2 x 4 with LEDs

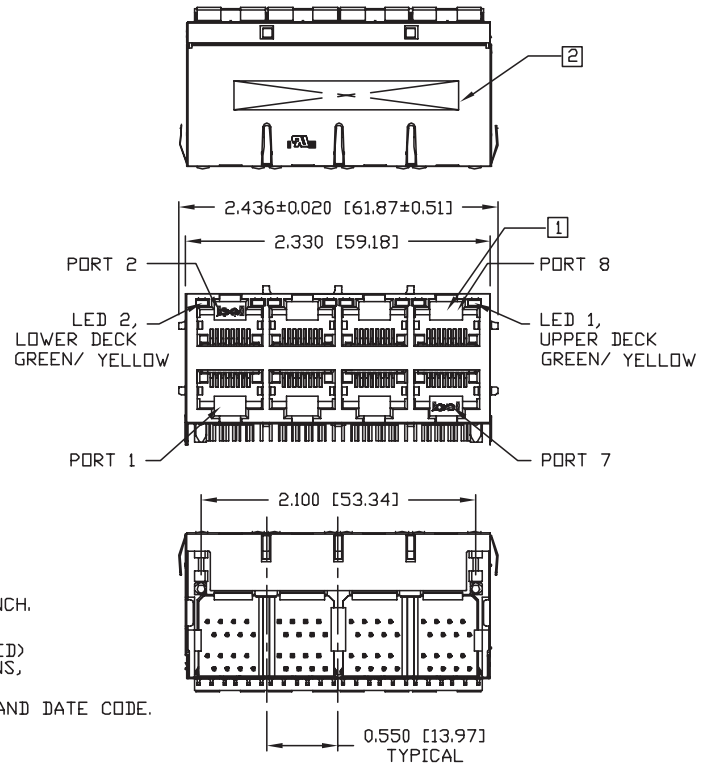


NOTES:

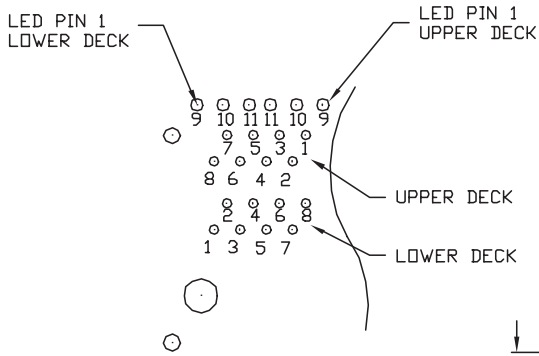
- PLASTIC HOUSING: THERMOPLASTIC PBT
 FLAMMABILITY RATING UL 94V-0
- CONTACT PLATING: 30 MICRO-INCH HARD GOLD PLATING
- OUTPUT PINS: TIN-COATED COPPER WIRE, DIA 0.018 INCH.
- METAL SHIELD: NICKEL PLATED COPPER ALLOY.

- ① JACK CAVITY CONFORMS TO FCC RULES AND REGULATIONS, PART 68 SUBPART F.
- ② MARK PART WITH MFG LOGO, MFG NAME, PART NUMBER, AND DATE CODE.

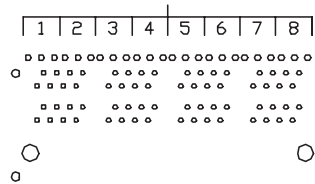
UL RECOGNIZED - FILE #E196366 AND E169987.
 RoHS COMPLIANCE, PER EU DIRECTIVE 2002/95/EC.



INTEGRATED CONNECTOR MODULES
0810-2H4R-28-F 10/100Base-TX MagJack® 2 x 4 with LEDs

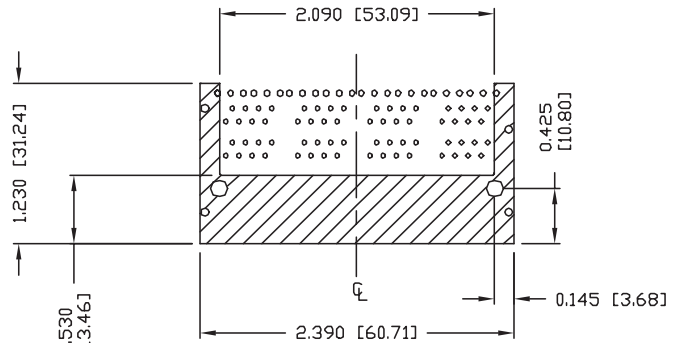


PORT ASSIGNMENT
(COMPONENT SIDE VIEW)



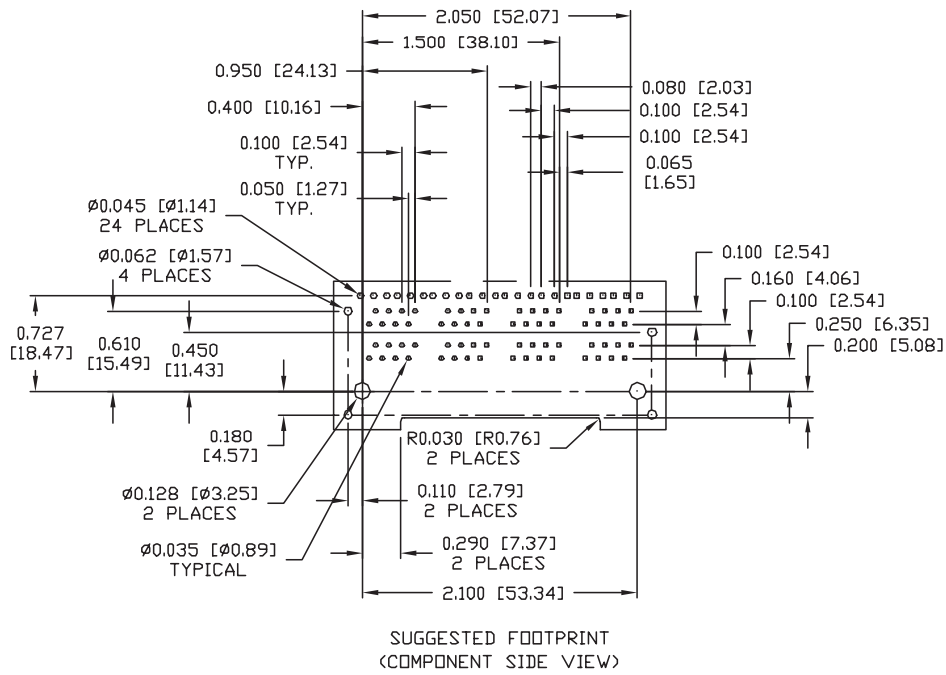
PIN-OUT INFORMATION
(COMPONENT SIDE VIEW)

11	YELLOW LED CATHODE
10	COMMON ANODE
9	GREEN LED CATHODE
8	GND
7	TCT
6	TD-
5	NC
4	RCT
3	TD+
2	RD-
1	RD+



THE SHADED AREA ON THE CUSTOMER BOARD ARE RECOMMENDED TO BE CLEAR OFF ANY VIA HOLE OR COMPONENT PAD.

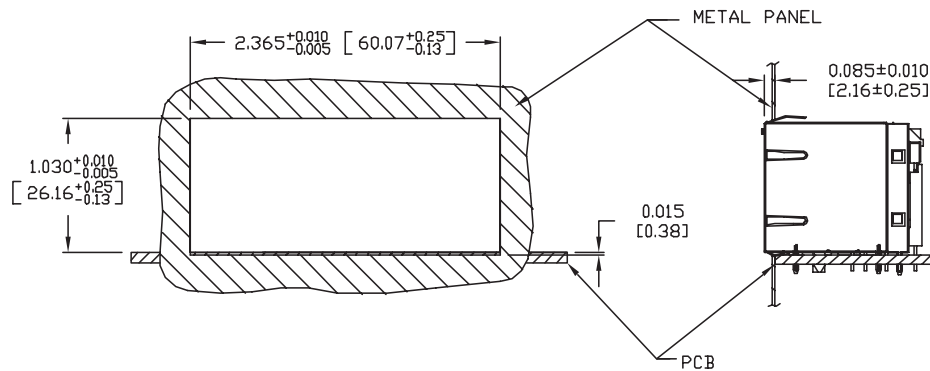
INTEGRATED CONNECTOR MODULES
0810-2H4R-28-F 10/100Base-TX MagJack® 2 x 4 with LEDs



INTEGRATED CONNECTOR MODULES
0810-2H4R-28-F 10/100Base-TX MagJack® 2 x 4 with LEDs



SUGGESTED PANEL OPENING



NOTES:

THE DISTANCE OF PANEL INSIDE SURFACE RELATIVE TO FRONT SURFACE OF PART IS ONLY A SUGGESTION. IN CASE THIS DISTANCE IS DIFFERENT, THE REQUIRED PANEL OPENING DIMENSIONS CHANGE ACCORDINGLY.

PACKING INFORMATION

PACKING TRAY : 0200-9999-E7 (TOP)
 0200-9999-E8 (BOTTOM)

PACKING QUANTITY : 20 PCS FINISHED GOODS PER TRAY
 7 TRAYS (140 PCS FINISHED GOODS) PER CARTON BOX

NOTE : CARDBOARDS ARE PLACED BETWEEN LAYERS OF PACKING TRAY INSIDE CARTON BOX
 (INCLUDE THE UPPERMOST AND LOWERMOST TRAY)