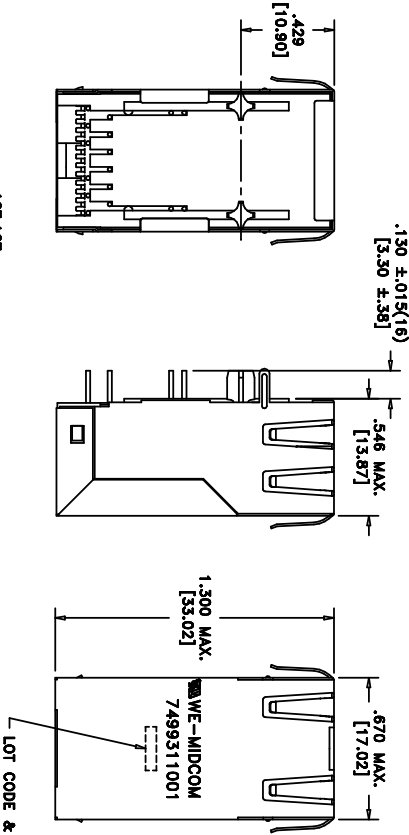
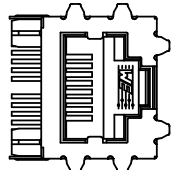
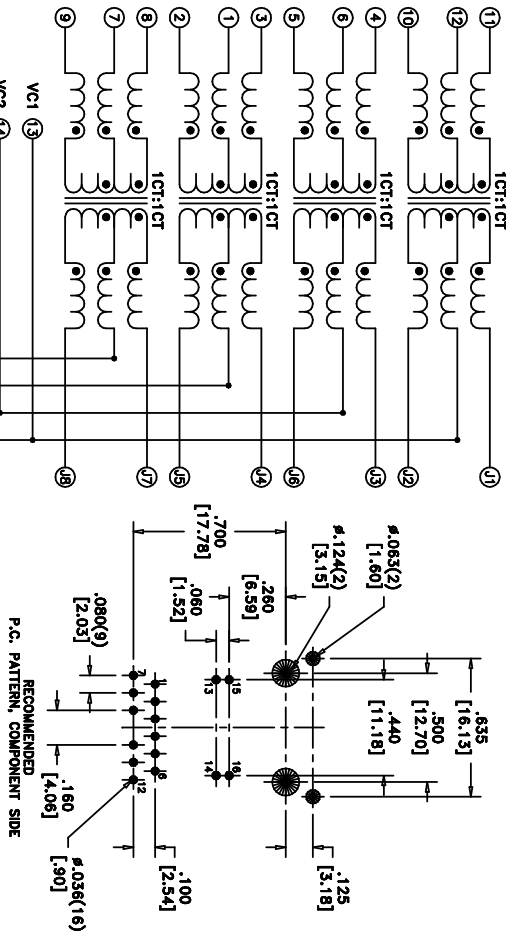


Sn100X Yes Yes



ELECTRICAL SPECIFICATIONS @ 25°C unless otherwise noted:

PARAMETER	TEST CONDITIONS	VALUE
INDUCTANCE	J1-J2 100MHz, 100mVAC, BrnADC, Lp	350uH min.
INDUCTANCE	J3-J6 100MHz, 100mVAC, BrnADC, Lp	350uH min.
INDUCTANCE	J4-J5 100MHz, 100mVAC, BrnADC, Lp	350uH min.
INDUCTANCE	J7-J8 100MHz, 100mVAC, BrnADC, Lp	350uH min.
DILECTRIC	P1-12 to J1-8	1500Vrms/2250VDC, 1 minute
TURNS RATIO	Per schematic	-
INSERTION LOSS	1M - 100MHz	-1.0dB max.
RETURN LOSS	1M - 30MHz	-18dB min.
RETURN LOSS	30M - 45MHz	-16dB min.
RETURN LOSS	45M - 60MHz	-14dB min.
RETURN LOSS	60M - 80MHz	-12dB min.
RETURN LOSS	80M - 100MHz	-10dB min.
CROSSTALK	1M - 100MHz	-30dB typ.
COMMON MODE REJECTION	1M - 100MHz	-35dB min.
COMMON MODE REJECTION	100M - 500MHz	-25dB min.



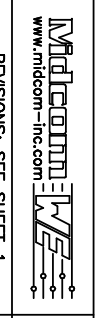
GENERAL SPECIFICATIONS:
OPERATING TEMPERATURE RANGE: 0°C to +70°C.
 Designed to handle 350mADC and meet 802.3af.

REV.	DATE
6A	10/08
6B	2/09

Packaging Specifications
 Method: Tray
 PKG-0573
 www.midcom-inc.com

Unless otherwise specified:
 Tolerances: ±1/64
 Fractions: ±1/64
 Angles: ±1°
 Decimals: ±.010 [.25]
 This drawing is dual dimensioned. Dimensions in brackets are in millimeters.

DRAWING TITLE
TRANSFORMER
 Gigabit & PoE
 eSOS p/n: 7499311001



DRAWING NO.
7499311001

AGENCY NUMBER
UL60950-1
E205930