

PULSEJACK™

PowerJack G-UP10






Description:

10/100 Base-TX RJ45 Multi-port with LEDs and integrated magnetics – Designed for most leading PHY manufacturers with the addition of Power Feeding over the signal pairs according to IEEE 802.3.AF



Features and Benefits:

-  RoHS peak wave solder temperature rating 260°C
-  Unique design ensures a separation of >2.0mm between Power, Signal and Ground pins.
-  Compact design includes integrated magnetics, bi-color LEDs

Electrical Specifications @ 25°C — Operating Temperature 0°C to +70°C

RoHS Compliant Part No.	Port Option	LEDs ¹ L/R	Insertion Loss TX/RX (dB TYP)	Return Loss (dB TYP) 100Ω (±15Ω)				Crosstalk (dB TYP)			Common Mode Rejection (dB TYP)		Hipot (Vrms Min) @60Hz 1 MIN
				1-100 MHz	1-10 MHz	30 MHz	60-80 MHz	1-10 MHz	30-60 MHz	60-100 MHz	1-50 MHz	50-130 MHz	
JG0-0031NL	1x2	Y-G/G	-0.15	-20	-16	-12	-40	-35	-30	-20	-20	1500	
JG0-0032NL	1x4												

NOTES:

1. LEDs Left/Right: Y-G = Bi-color: yellow/green; G = green.

RJ45 Durability Testing Rating

Part Number	Mating Force (MAX)	Unmating Force (MAX)	Durability	Plug to Jack Retention (MIN)
JG0 Series	5lbs./2.268kgs.	5lbs./2.268kgs.	500 Insertions	20lbs./9.072kgs.

RJ45 Material Specification

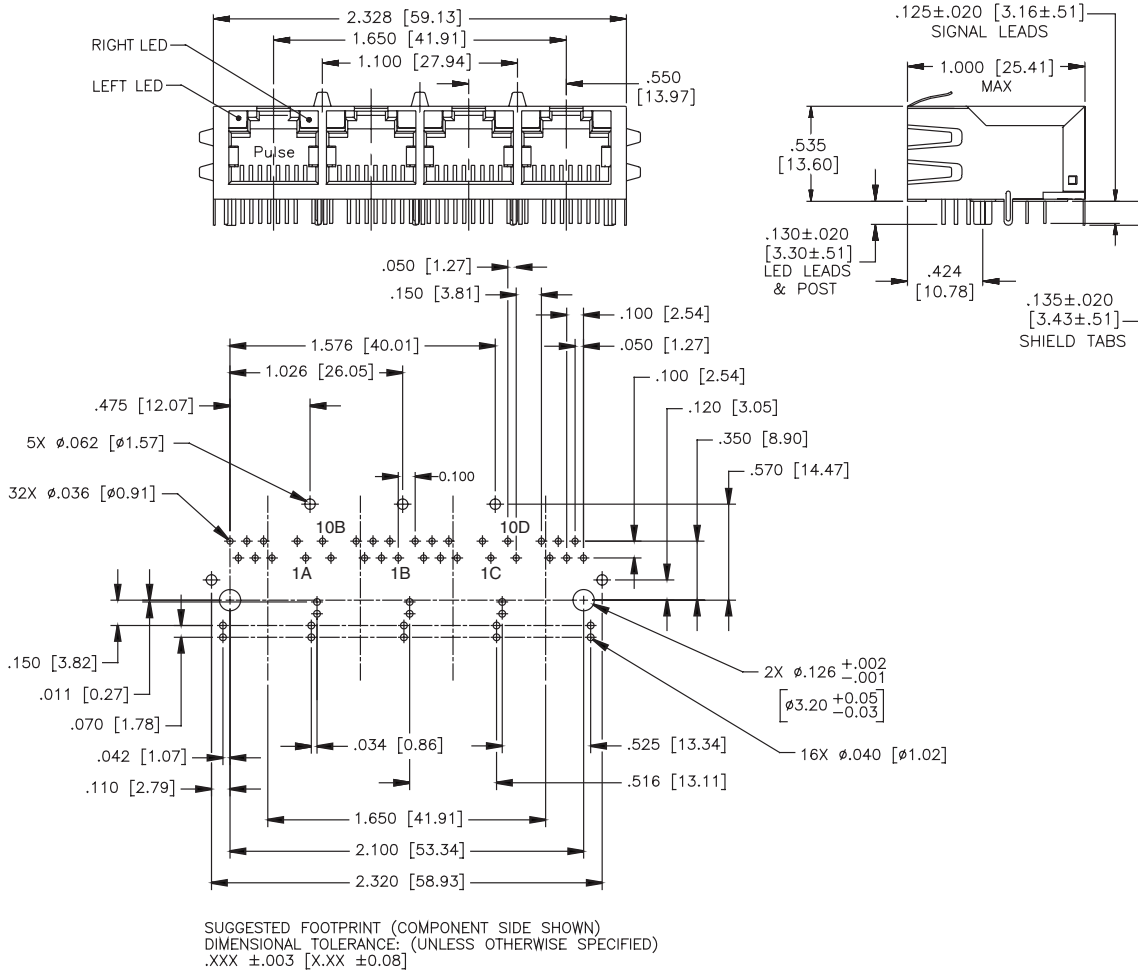
Part Number	Shield		Contact			Housing	
	Material	Finish	Material	Plating Area	Solder Area ²	Material	Specification
JG0 Series	Brass	10-20μ inches thick nickel over 10-20μ inches thick brass	Phosphor Bronze	30μ inches gold over 30-80μ inches nickel	Tin matte finish	Thermoplastic	UL 94 V-0

Notes: 1. Connector dimensions comply with FCC dimension requirements.

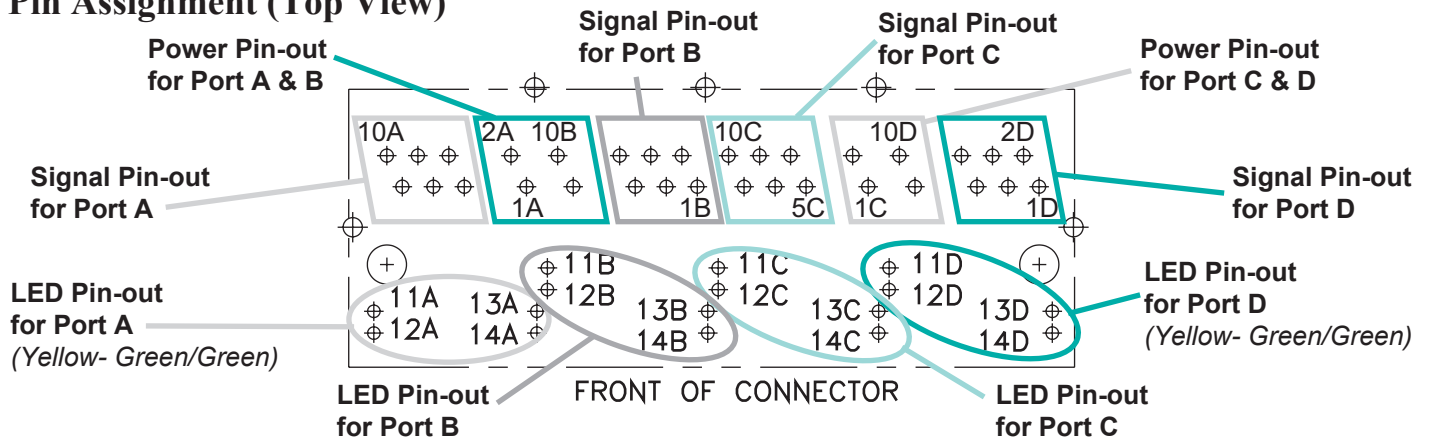
2. NL parts are tin matte finish over nickel.

Mechanicals

JG0-0032NL Quad Port PoE Solution



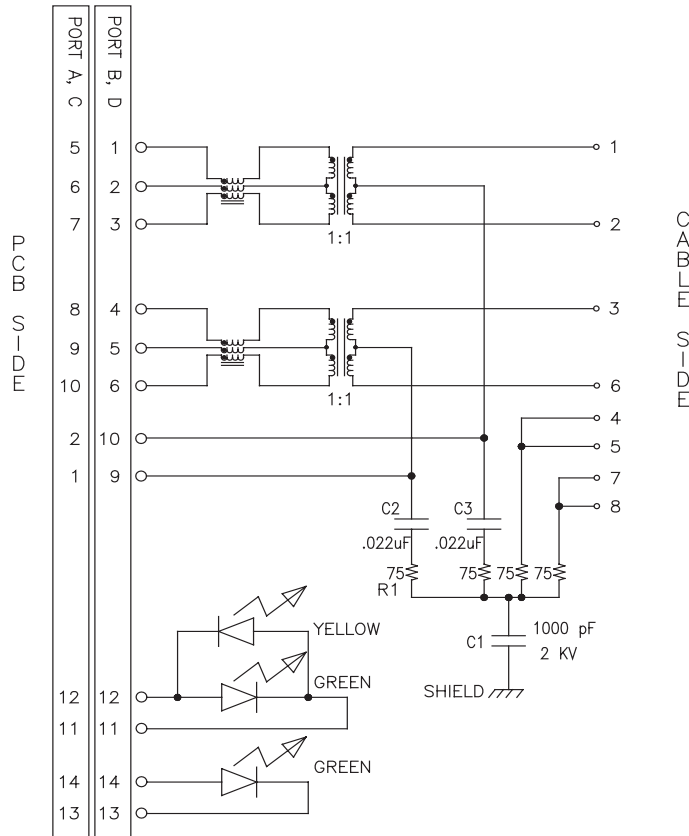
Pin Assignment (Top View)



NOTE: Some pins are removed from component to simplify PCB layout and separation of Power, Signal and Ground planes.

Schematic

JG0-0031NL/0032NL



LED SPECS (Rating At 25°C Ambient):

COLOR		Peak wave length λPnm	Spectral halfwidth Δλnm	Forward Voltage @20mA(v)		Luminous intensity @10mA(mcd)		Forward Current (mA)	Power Dissipation (mW)
Emitted	Lens			Min.	Max.	Min.	Typ.		
Green/ Yellow	White Diffused	565	30	1.7	2.8	3.0	7.0	30	100
		585	35	1.7	2.8	1.2	7.0	20	60
Green	Green Diffused	564~574	30	1.7	2.8	5	15	30	84

For More Information:

Pulse Worldwide Headquarters

Two Pearl Buck Court
Bristol, PA 19007
U.S.A.

www.pulseeng.com

Tel: 215 781 6400
Fax: 215 781 6403

Pulse Europe

Einsteinstrasse 1
D-71083 Herrenberg
Germany

Tel: 49 7032 7806 0
Fax: 49 7032 7806 135

Pulse China Headquarters

B402, Shenzhen Academy of
Aerospace Technology Bldg.
10th Kejinan Rd.
High-Tech Zone
Nanshan District
Shenzhen, PR China 518057

Tel: 86 755 33966678
Fax: 86 755 33966700

Pulse North China

Room 2704/2705
Super Ocean Finance Ctr.
2067 Yan An Rd. West
Shanghai 200336
China

Tel: 86 21 62787060
Fax: 86 2162786973

Pulse South Asia

135 Joo Seng Rd.
#03-02
PM Industrial Bldg.
Singapore 368363

Tel: 65 6287 8998
Fax: 65 6280 0080

Pulse North Asia

No. 26, Kao Ching Rd.
Yang Mei Chen
Taoyuan Hsien
Taiwan
R. O. C.

Tel: 886 3 4643715
Fax: 886 3 4641911

Performance warranty of products offered on this data sheet is limited to the parameters specified. Data is subject to change without notice. Other brand and product names mentioned herein may be trademarks or registered trademarks of their respective owners. © Copyright, 2009. Pulse Engineering, Inc. All rights reserved.