

INTEGRATED CONNECTOR MODULES

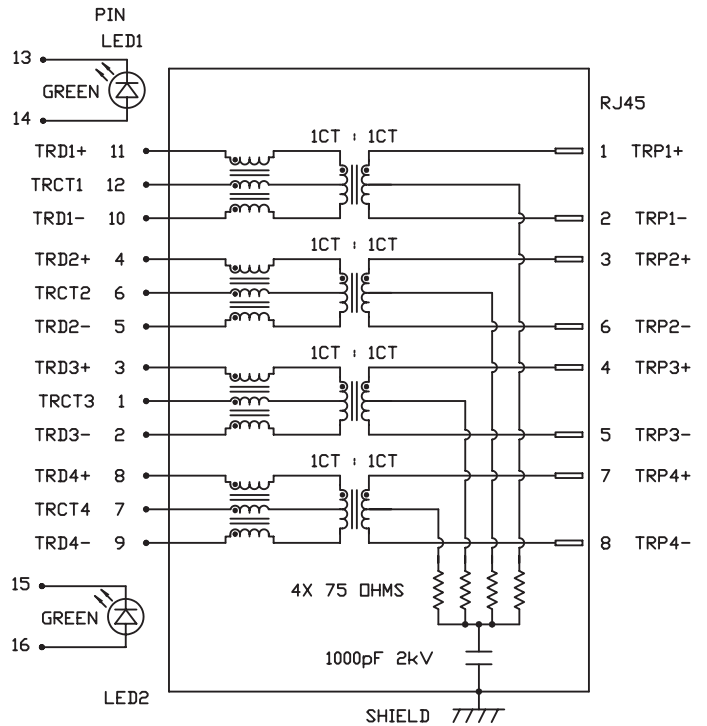
L834-1G1T-S7 Gigabit Ethernet Ultra Low Profile Single Port MagJack® with LEDs



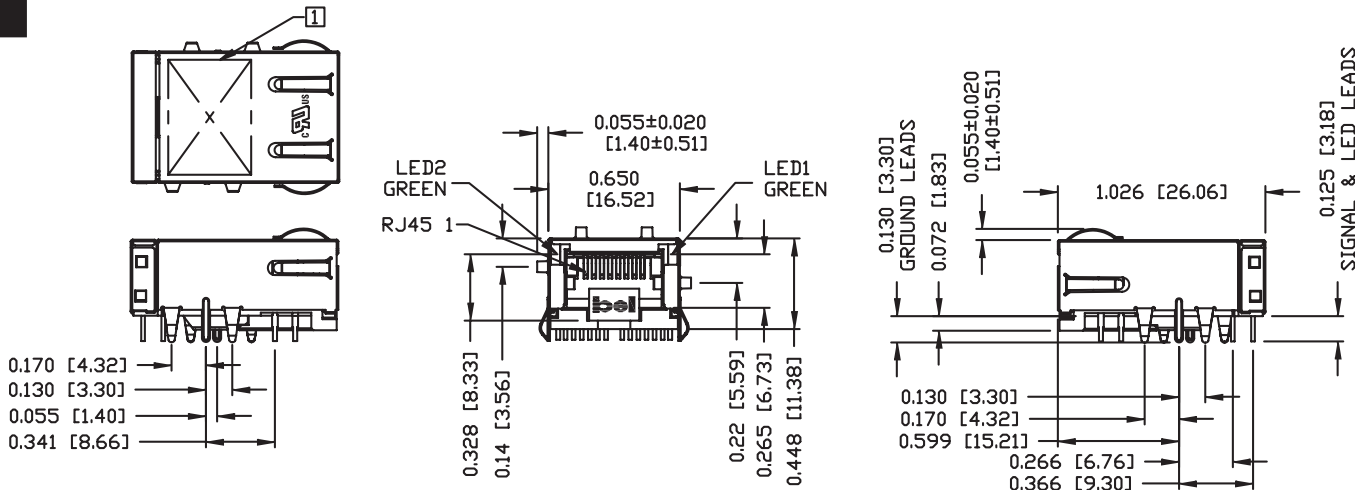
LED1 POLARITY			LED2 POLARITY		
PIN 13	PIN 14	COLOR	PIN 15	PIN 16	COLOR
-	+	GREEN	-	+	GREEN

ELECTRICAL CHARACTERISTICS @ 25°C

TURNS RATIO	
TP1	1CT : 1CT ±2%
TP2	1CT : 1CT ±2%
TP3	1CT : 1CT ±2%
TP4	1CT : 1CT ±2%
DCL @ 100kHz/100mVRMS	$0-70 \text{ Deg. C}$
8mA DC BIAS	350µH MIN.
INS. LOSS	
0.1MHz TO 1MHz	-1.1 dB MAX
1MHz TO 65MHz	-0.5 dB MAX
65MHz TO 100MHz	-0.8 dB MAX
100MHz TO 125MHz	-1.2 dB MAX
RET. LOSS (MIN) @ 100 OHMS +/-15%	
0.5MHz-40MHz	-18 dB
40MHz-100MHz	-12+20LOG$(f/80\text{MHz})$ dB
CM TO CM REJ	
100kHz - 100MHz	-30 dB MIN
CM TO DM REJ	
100kHz - 100MHz	-35 dB MIN
HIPOT (Isolation Voltage):	
	1500 Vrms / 2250 VDC
100% OF PRODUCT TESTED IN PRODUCTION	
LED 1& LED2	
Vf (FORWARD VOLTAGE)	IF=20mA GREEN 2.2V TYP.
λD (DOMINANT WAVELENGTH)	IF=20mA GREEN 565nm TYP.



INTEGRATED CONNECTOR MODULES
L834-1G1T-S7 Gigabit Ethernet Ultra Low Profile Single Port MagJack® with LEDs



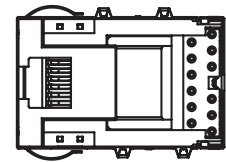
NOTES:

- PLASTIC HOUSING: THERMOPLASTIC PBT
 FLAMMABILITY RATING UL 94V-0
- CONTACTS: 30 MICRO-INCH HARD GOLD PLATING
- OUTPUT PINS: TIN-COATED COPPER WIRE, DIA 0.018 INCH.
- METAL SHIELD: NICKEL PLATED ON COPPER ALLOY.
 (ALL GROUND LEADS ARE SOLDER DIPPED)

1. MARK PART WITH MFG. LOGO, MFG. NAME, PART NUMBER, AND DATE CODE.

2. RoHS COMPLIANCE, PER EU DIRECTIVE 2002/95/EC.

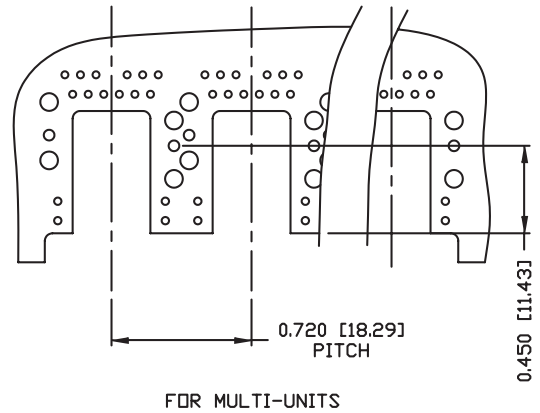
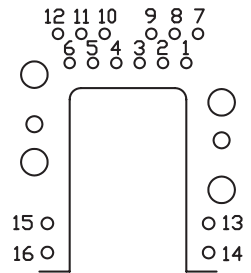
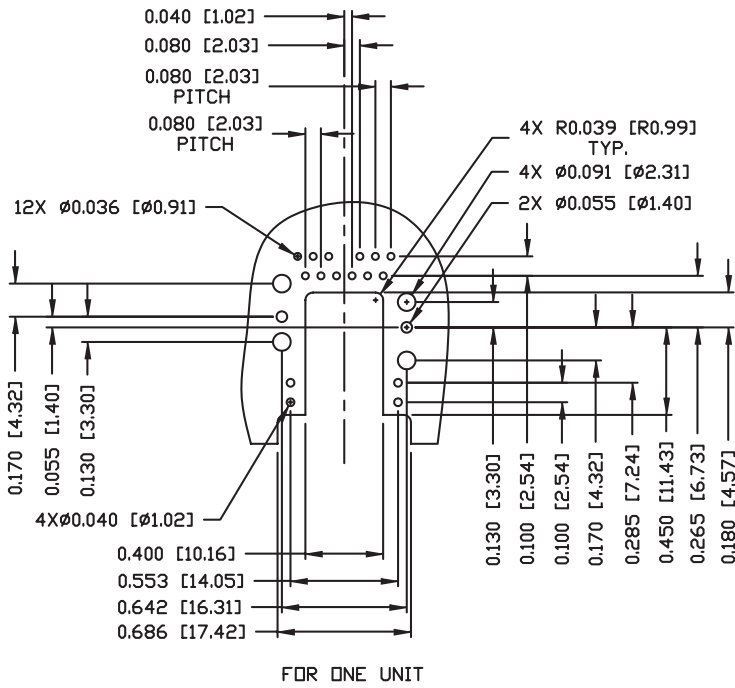
US UL RECOGNIZED - FILE #E196366 AND E169987.



INTEGRATED CONNECTOR MODULES
L834-1G1T-S7 Gigabit Ethernet Ultra Low Profile Single Port MagJack® with LEDs



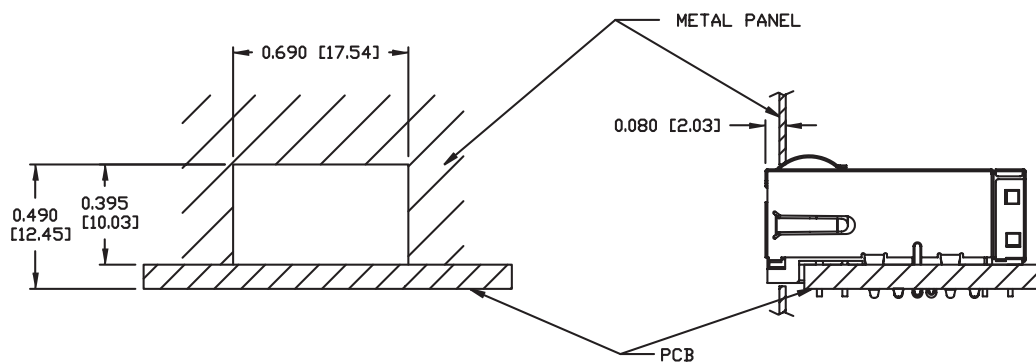
RECOMMENDED PCB FOOTPRINT
 COMPONENT SIDE VIEW



INTEGRATED CONNECTOR MODULES
L834-1G1T-S7 Gigabit Ethernet Ultra Low Profile Single Port MagJack® with LEDs



SUGGESTED PANEL OPENING



NOTE:

THE DISTANCE OF PANEL INSIDE SURFACE RELATIVE TO FRONT SURFACE OF PART IS ONLY A SUGGESTION. IN CASE THIS DISTANCE IS DIFFERENT, THE REQUIRED PANEL OPENING DIMENSIONS CHANGE ACCORDINGLY.

PACKING INFORMATION

PACKING TRAY : 0200-9999-M3(TOP)
 0200-9999-M4(BOTTOM)

PACKING QUANTITY : 65 PCS FINISHED GOODS PER TRAY.
 12 TRAYS (780 PCS FINISHED GOODS) PER CARTON BOX.

NOTE: CARDBOARDS ARE PLACED BETWEEN LAYERS OF PACKING TRAY INSIDE CARTON BOX.
 (INCLUDE THE UPPERMOST AND LOWERMOST TRAY)