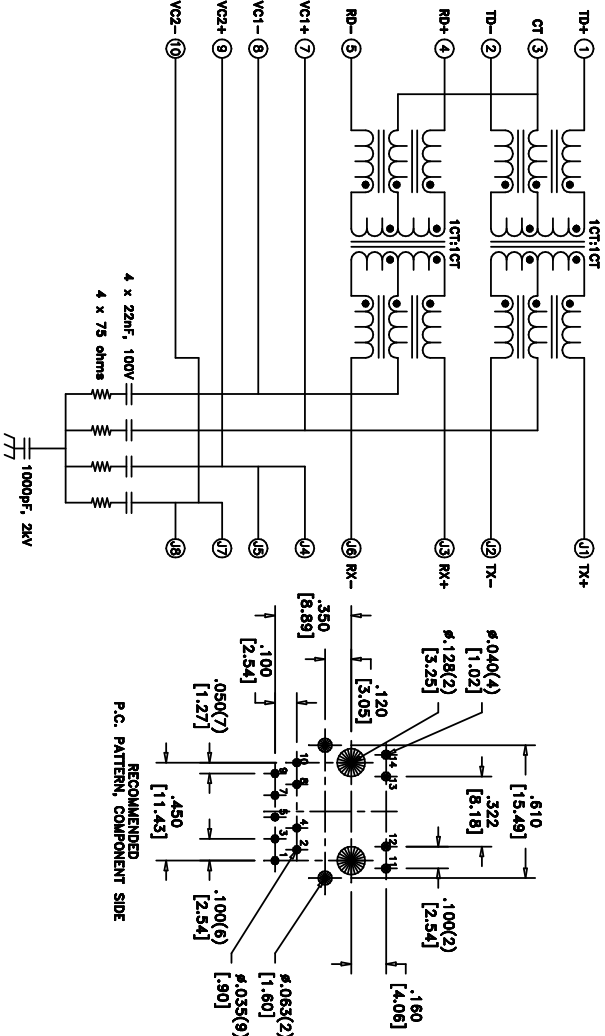
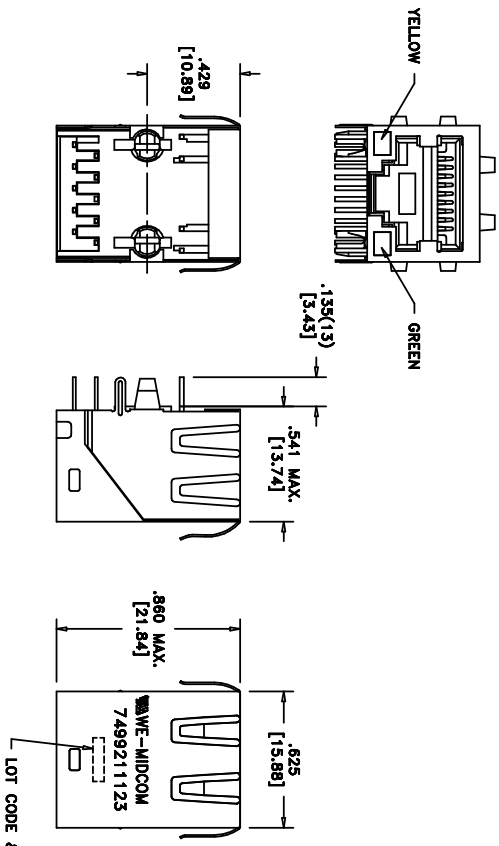


CUSTOMER TERMINAL	ROHS	LEAD(Pb)-FREE
Sn100%	Yes	Yes



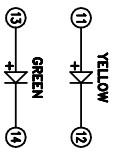
ELECTRICAL SPECIFICATIONS @ 25°C unless otherwise noted:

PARAMETER	TEST CONDITIONS	VALUE
INDUCTANCE	J1-J2 100KHz, 100mVAC, BrmADC, Lp	350nH min.
INDUCTANCE	J3-J6 100KHz, 100mVAC, BrmADC, Lp	350nH min.
DIELECTRIC	P1-J1	1500Vrms, 1 minute
TURN RATIO	(P1-P2)/(J1-J2)	1:1, ±2%
TURN RATIO	(P4-P5)/(J3-J6)	1:1, ±2%
INSERTION LOSS	1M - 100MHz	-1.0dB max.
RETURN LOSS	1M - 30MHz	-18dB min.
RETURN LOSS	30M - 45MHz	-16dB min.
RETURN LOSS	45M - 60MHz	-14dB min.
RETURN LOSS	60M - 80MHz	-12dB min.
CROSSTALK	1M - 100MHz	-35dB min.
COMMON MODE REJECTION	1M - 100MHz	-35dB min.
COMMON MODE REJECTION	100M - 500MHz	-25dB min.



GENERAL SPECIFICATIONS:
 OPERATING TEMPERATURE RANGE: 0°C to +70°C.
 Designed to handle 350mADC and meet 802.9af.

RECOMMENDED
 P.C. PATTERN, COMPONENT SIDE



REV.	DATE

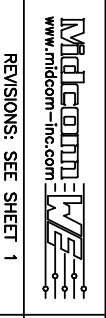
Packaging Specifications

AGENCY NUMBER
 UL80950-1 E206330

Method: Tube
 PKG-0524
 www.midcom-inc.com

Unless otherwise specified:
 Tolerances: ±1/64
 Fractions: ±.010 [.25]
 Decimals: ±.010 [.25]
 This drawing is dual dimensioned. Dimensions in brackets are in millimeters.

DRAWING TITLE
TRANSFORMER
 10/100Mbs & PoE
 eSos p/n: 7499211123



DRAWING NO.
7499211123

REVISIONS: SEE SHEET 1
 SCALE: ---
 SHEET 2 OF 6