

THE INFORMATION CONTAINED HEREIN IS CONSIDERED "PROPRIETARY" TO BEL FUSE INC. AND SHALL NOT BE COPIED, REPRODUCED OR DISCLOSED WITHOUT THE WRITTEN APPROVAL OF BEL FUSE INC.



LED1 POLARITY			LED2 POLARITY		
PIN 13	PIN 14	COLOR	PIN 15	PIN 16	COLOR
-	+	GREEN	+	-	YELLOW
-	+	GREEN	-	+	GREEN

ELECTRICAL CHARACTERISTICS @ 25°C

URNS RATIO

TP1	1CT : 1CT ±2%
TP2	1CT : 1CT ±2%
TP3	1CT : 1CT ±2%
TP4	1CT : 1CT ±2%

DCL @ 100kHz/100mVRMS

8mA DC BIAS	350µH MIN.
INS. LOSS	
0.1MHz TO 1MHz	-1.1 dB MAX
1MHz TO 65MHz	-0.5 dB MAX
65MHz TO 100MHz	-0.8 dB MAX
100MHz TO 125MHz	-1.2 dB MAX

RET. LOSS (MIN)

0.5MHz-40MHz	-18 dB
40MHz-100MHz	-12+20LOG(f/80MHz) dB

CM TO CM REJ

100kHz - 100MHz	-30 dB MIN
-----------------	------------

CM TO DM REJ

100kHz - 100MHz	-35 dB MIN
-----------------	------------

HIPOT (Isolation Voltage): 1500 Vrms or 2250VDC

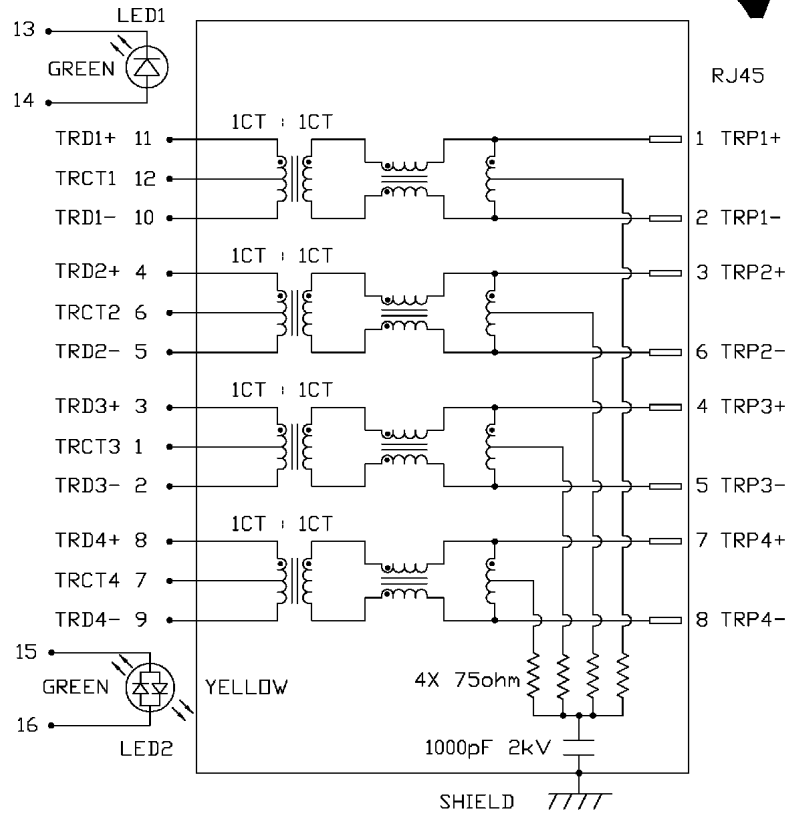
LED 1

V _F (FORWARD VOLTAGE)	I _F =20mA	GREEN	2.2V TYP.
λ _D (DOMINANT WAVELENGTH)	I _F =20mA	GREEN	565nm TYP.

LED 2

V _F (FORWARD VOLTAGE)	I _F =20mA	YELLOW	2.1V TYP.
λ _D (DOMINANT WAVELENGTH)	I _F =20mA	GREEN	2.2V TYP.
	I _F =20mA	YELLOW	590nm TYP.
	I _F =20mA	GREEN	565nm TYP.

SCHEMATIC



RJ45

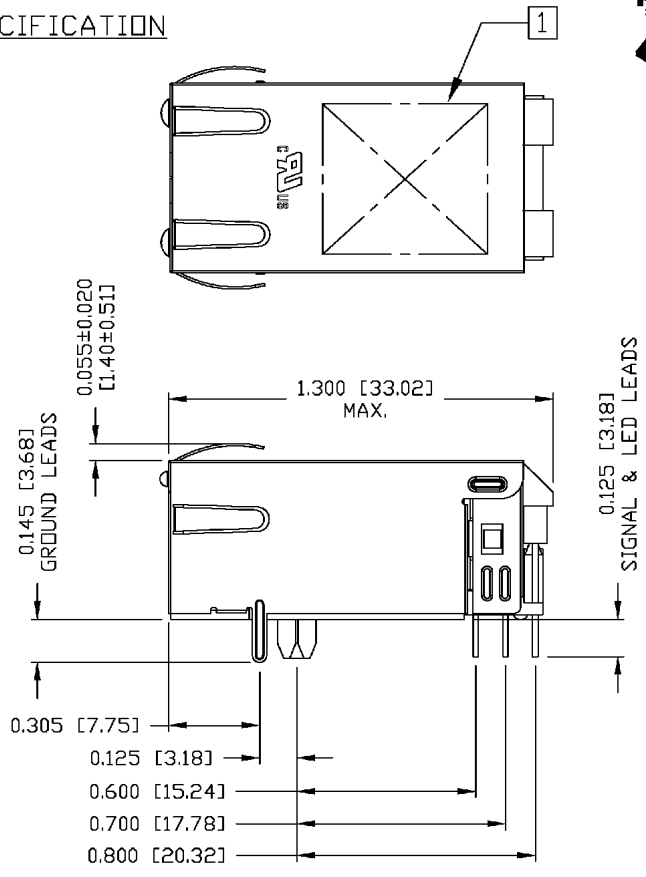
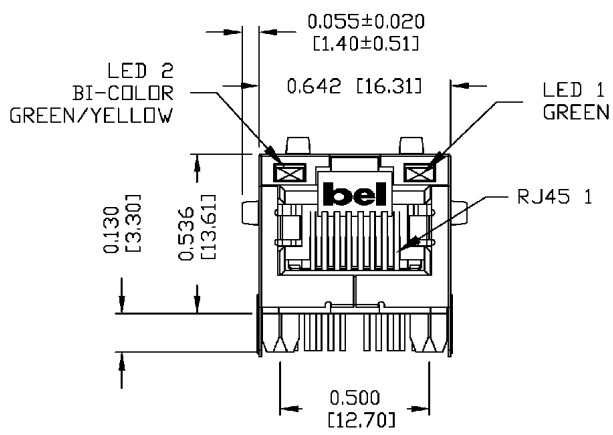
ORIGINATED BY CHUNG	DATE 08-18-06	TITLE gigabit MagJack® (12 cores, Tab Up)	PART NO. / DRAWING NO. 08261K1T23-F	STANDARD DIM. TOL. IN INCH .X .XX .XXX	[] METRIC DIM. AS REFERENCE UNIT : INCH [mm] SCALE : N/A	REV. : B SIZE : A4 PAGE : 2	bel COMPONENTS ARE CONNECTED TO A PLANE
DRAWN BY DE	DATE 08-18-06	FILE NAME 08261K1T23-FB.DWG					

This document is electronically generated. This is a controlled copy if used internally

DC002(2)032305

THE INFORMATION CONTAINED HEREIN IS CONSIDERED "PROPRIETARY" TO BEL FUSE INC. AND SHALL NOT BE COPIED, REPRODUCED OR DISCLOSED WITHOUT THE WRITTEN APPROVAL OF BEL FUSE INC.

MECHANICAL SPECIFICATION



ORIGINATED BY QIN	DATE 08-18-06	TITLE gigabit MagJack® (12 cores, Tab Up) 0826-1K1T-23-F	PART NO. / DRAWING NO. 08261K1T23-F	STANDARD DIM. TOL. IN INCH		[] METRIC DIM. AS REFERENCE		UNIT : INCH [mm]	REV. : B	bel COMPONENTS ARE A CONNECTED PART
				.X		SCALE : N/A	SIZE : A4			
DRAWN BY TING	DATE 08-18-06		FILE NAME 08261K1T23-F.B.DWG	.XX						
				.XXX	±0.010				PAGE : 3	

DC002(2)032305

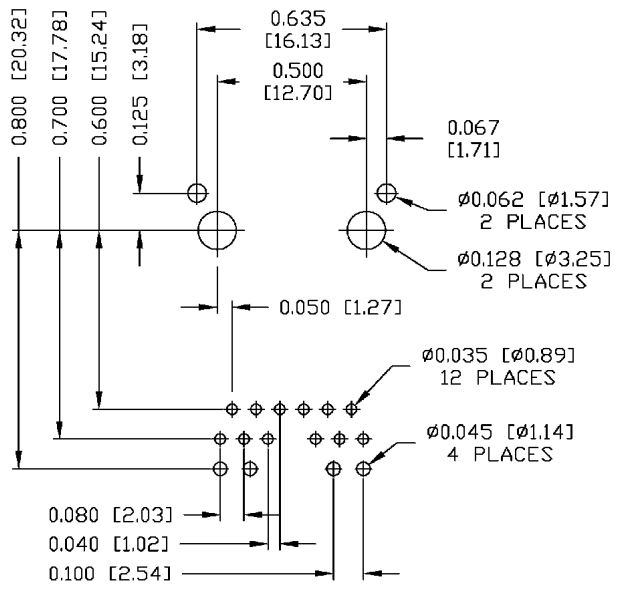
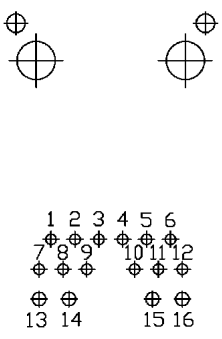
This document is electronically generated. This is a controlled copy if used internally

THE INFORMATION CONTAINED HEREIN IS CONSIDERED "PROPRIETARY" TO BEL FUSE INC. AND SHALL NOT BE COPIED, REPRODUCED OR DISCLOSED WITHOUT THE WRITTEN APPROVAL OF BEL FUSE INC.



RECOMMENDED PCB FOOTPRINT
COMPONENT SIDE VIEW

PINS ASSIGNMENT



NOTES:

- PLASTIC HOUSING: THERMOPLASTIC PA 4/6
FLAMMABILITY RATING UL 94V-0
- CONTACTS: 50 MICRO-INCH HARD GOLD PLATING
- OUTPUT PINS: TIN-COATED COPPER WIRE, DIA 0.018 INCH.
- METAL SHIELD: NICKEL PLATED ON COPPER ALLOY.
(ALL GROUND LEADS ARE SOLDER DIPPED)

- MARK PART WITH MFG LOGO, MFG NAME, PART NUMBER, AND DATE CODE.
UL RECOGNIZED - FILE #E196366 AND E169987.
- RoHS COMPLIANCE, PER EU DIRECTIVE 2002/95/EC.
- JACK CAVITY CONFORMS TO FCC RULES AND REGULATIONS.

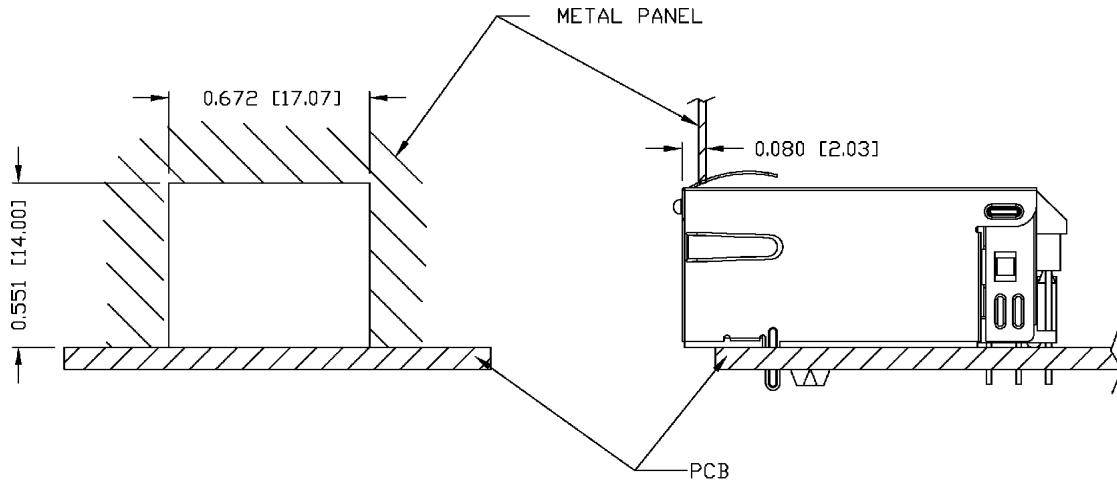
ORIGINATED BY QIN	DATE 08-18-06	TITLE gigabit MagJack® (12 cores, Tab Up) 0826-1K1T-23-F	PART NO. / DRAWING NO. 08261K1T23-F	STANDARD DIM. TOL. IN INCH		[] METRIC DIM. AS REFERENCE		bel COMPONENTS ARE A CONNECTED PART
				.X		UNIT : INCH [mm]	REV. : B	
DRAWN BY TING	DATE 08-18-06	FILE NAME 08261K1T23-F.B.DWG	.XX	.XXX	±0.004	SCALE : N/A	SIZE : A4	PAGE : 4

DC002(2)032305 This document is electronically generated. This is a controlled copy if used internally

THE INFORMATION CONTAINED HEREIN IS CONSIDERED "PROPRIETARY" TO BEL FUSE INC. AND SHALL NOT BE COPIED, REPRODUCED OR DISCLOSED WITHOUT THE WRITTEN APPROVAL OF BEL FUSE INC.



SUGGESTED PANEL OPENING



NOTE:

THE DISTANCE OF PANEL INSIDE SURFACE RELATIVE TO FRONT SURFACE OF PART IS ONLY A SUGGESTION. IN CASE THIS DISTANCE IS DIFFERENT, THE REQUIRED PANEL OPENING DIMENSIONS CHANGE ACCORDINGLY.

PACKING INFORMATION

PACKING TRAY : 0200-9999-F6 (TOP)
0200-9999-F7 (BOTTOM)

PACKING QUANTITY : 40 PCS FINISHED GOODS PER TRAY
10 TRAYS (400 PCS FINISHED GOODS) PER CARTON BOX

NOTE : CARDBOARDS ARE PLACED BETWEEN LAYERS OF PACKING TRAY INSIDE CARTON BOX
(INCLUDE THE UPPERMOST AND LOWERMOST TRAY)

ORIGINATED BY QIN	DATE 08-18-06	TITLE gigabit MagJack® (12 cores, Tab Up)	PART NO. / DRAWING NO. 08261K1T23-F	STANDARD DIM. TOL. IN INCH	[] METRIC DIM. AS REFERENCE	bel COMPONENTS A CONNECTED PLANET
DRAWN BY TING	DATE 08-18-06		FILE NAME 08261K1T23-F.B.DWG	.X .XX .XXX	UNIT : INCH [mm] SCALE : N/A	
			±0.004			

DC002(2)032305 This document is electronically generated. This is a controlled copy if used internally