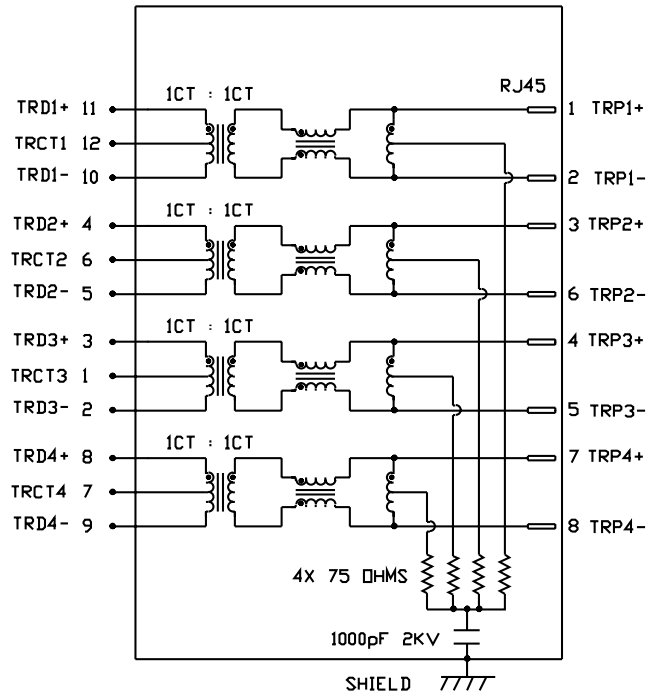


**INTEGRATED CONNECTOR MODULES**  
**0816-1X1T-23-F Gigabit Ethernet Single Port MagJack®**

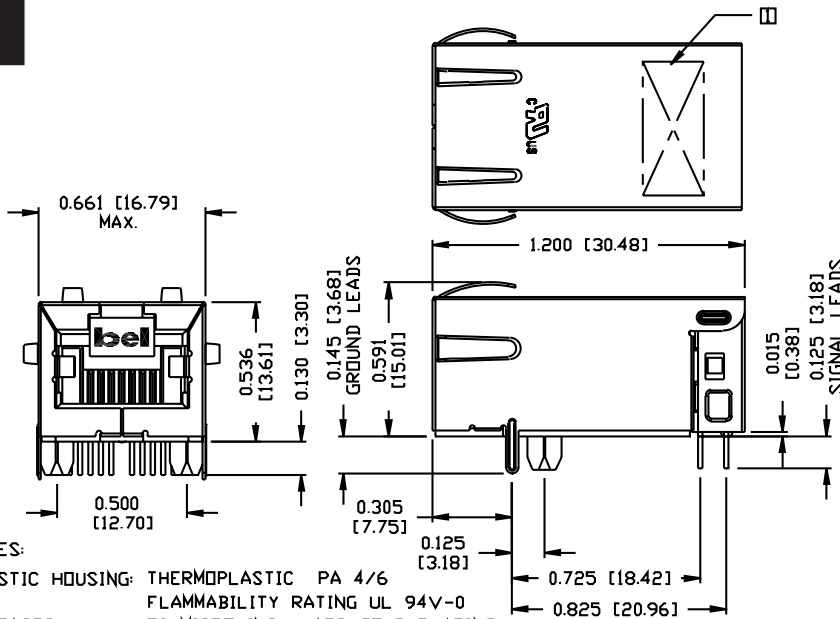


**ELECTRICAL CHARACTERISTICS @ 25°C**

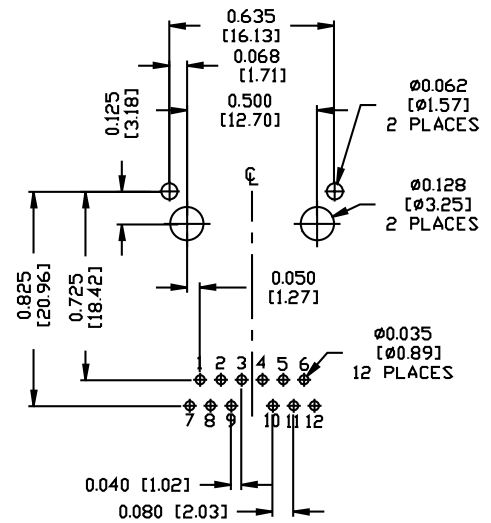
<b>URNS RATIO</b>	
TP1	1CT : 1CT ±2%
TP2	1CT : 1CT ±2%
TP3	1CT : 1CT ±2%
TP4	1CT : 1CT ±2%
<b>DCL @ 100kHz/100mVRMS</b>	
8mA DC BIAS	350µH MIN.
<b>INS. LOSS</b>	
0.1MHz TO 1MHz	-1.1 dB MAX
1MHz TO 65MHz	-0.5 dB MAX
65MHz TO 100MHz	-0.8 dB MAX
100MHz TO 125MHz	-1.2 dB MAX
<b>RET. LOSS (MIN)</b>	
0.5MHz-40MHz	-18 dB
40MHz-100MHz	-12+20LOG(f/80MHz) dB
<b>CM TO CM REJ</b>	
100kHz - 100MHz	-30 dB MIN
<b>CM TO DM REJ</b>	
100kHz - 100MHz	-35 dB MIN
<b>HIPOT (Isolation Voltage):</b>	
	1500 Vrms



**INTEGRATED CONNECTOR MODULES**  
**0816-1X1T-23-F Gigabit Ethernet Single Port MagJack®**



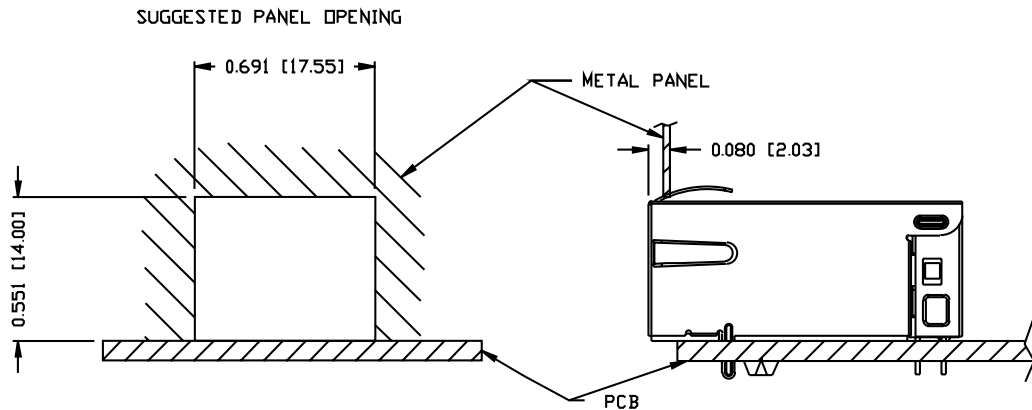
RECOMMENDED PCB FOOTPRINT  
 COMPONENT SIDE VIEW



- NOTES:  
 PLASTIC HOUSING: THERMOPLASTIC PA 4/6  
 FLAMMABILITY RATING UL 94V-0  
 CONTACTS: 50 MICRO-INCH HARD GOLD PLATING  
 OUTPUT PINS: TIN-COATED COPPER WIRE, DIA 0.018 INCH.  
 METAL SHIELD: NICKEL OR TIN PLATED ON COPPER ALLOY.  
 (NICKEL GROUND LEADS ARE SOLDER DIPPED)  
 □ MARK PART WITH MFG LOGO, MFG NAME, PART NUMBER, AND DATE CODE.

UL US UL RECOGNIZED - FILE #E196366 AND E169987.  
 RoHS COMPLIANCE, PER EU DIRECTIVE 2002/95/EC

**INTEGRATED CONNECTOR MODULES**  
**0816-1X1T-23-F Gigabit Ethernet Single Port MagJack®**



**NOTE:**  
 THE DISTANCE OF PANEL INSIDE SURFACE RELATIVE TO FRONT SURFACE OF PART IS ONLY A SUGGESTION.  
 IN CASE THIS DISTANCE IS DIFFERENT, THE REQUIRED PANEL OPENING DIMENSIONS CHANGE ACCORDINGLY.

**PACKING INFORMATION**

PACKING TRAY : 0200-9999-F1 (TOP)  
 0200-9999-F2 (BOTTOM)

PACKING QUANTITY : 40 PCS FINISHED GOODS PER TRAY  
 10 TRAYS (400 PCS FINISHED GOODS) PER CARTON BOX

NOTE : CARDBOARDS ARE PLACED BETWEEN LAYERS OF PACKING TRAY INSIDE CARTON BOX  
 (INCLUDE THE UPPERMOST AND LOWERMOST TRAY)