

THE INFORMATION CONTAINED HEREIN IS CONSIDERED "PROPRIETARY" TO BEL FUSE INC. AND SHALL NOT BE COPIED, REPRODUCED OR DISCLOSED WITHOUT THE WRITTEN APPROVAL OF BEL FUSE INC.



LED1 POLARITY			LED2 POLARITY		
PIN 13	PIN 14	COLOR	PIN 15	PIN 16	COLOR
-	+	GREEN	-	+	GREEN

**ELECTRICAL CHARACTERISTICS @ 25°C**

**URNS RATIO**

TP1	1CT : 1CT ±2%
TP2	1CT : 1CT ±2%
TP3	1CT : 1CT ±2%
TP4	1CT : 1CT ±2%

**OCL @ 100kHz/100mVRMS**  
8mA DC BIAS

350µH MIN.

**INS. LOSS**

0.1MHz TO 1MHz	-1.1 dB MAX
1MHz TO 65MHz	-0.5 dB MAX
65MHz TO 100MHz	-0.8 dB MAX
100MHz TO 125MHz	-1.2 dB MAX

**RET. LOSS (MIN)**

0.5MHz-40MHz	-18 dB
40MHz-100MHz	-12+20LOG(f/80MHz) dB

**CROSS TALK**

100kHz - 100MHz	-33+20LOG(f/100MHz)dB MIN
-----------------	---------------------------

**CM TO CM REJ**

100kHz - 100MHz	-30 dB MIN
-----------------	------------

**CM TO DM REJ**

100kHz - 100MHz	-35 dB MIN
-----------------	------------

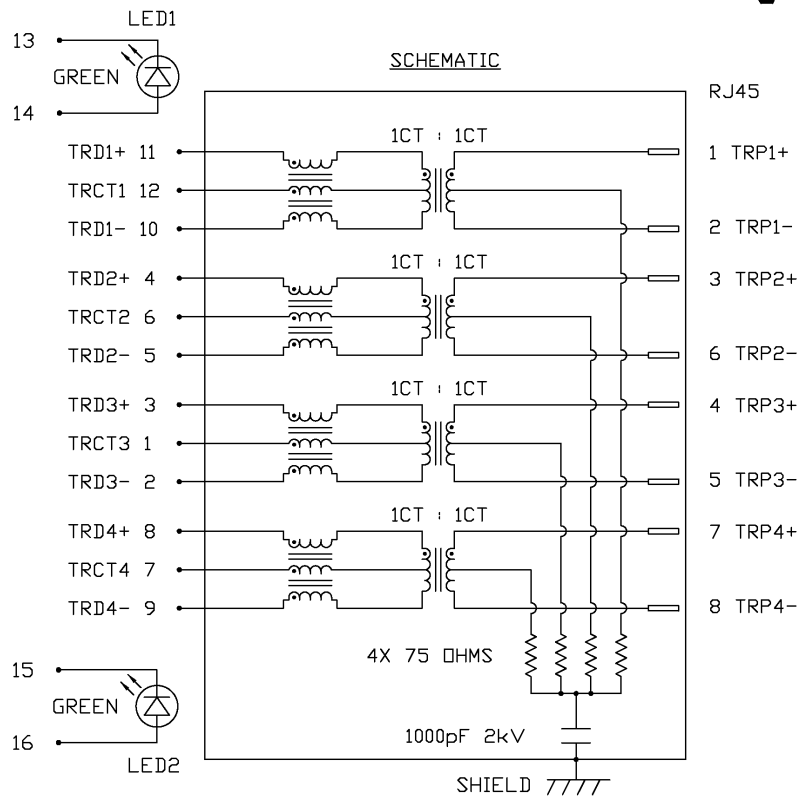
**HIPOT (Isolation Voltage):**

1500 Vrms or 2250VDC

100% OF PRODUCT TESTED IN PRODUCTION

**LED 1 & 2**

VF (FORWARD VOLTAGE)	IF=20mA GREEN 2.2V TYP.
λD (DOMINANT WAVELENGTH)	IF=20mA GREEN 565nm TYP.



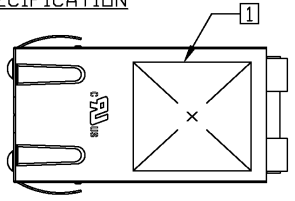
<b>ORIGINATED BY</b> CHUNG	<b>DATE</b> 08-18-06	<b>TITLE</b> gigabit MagJack® (8 core, Tab Up) 0826-1G1T-43-F	<b>PART NO. / DRAWING NO.</b> 08261G1T43-F	<b>STANDARD DIM. TOL. IN INCH</b> .X .XX .XXX	<b>[ ] METRIC DIM. AS REFERENCE</b> UNIT : INCH [mm] SCALE : N/A	<b>REV. : A</b> <b>SIZE : A4</b> <b>PAGE : 2</b>	 COMPONENTS FOR A CONNECTED PLANET
<b>DRAWN BY</b> DE	<b>DATE</b> 08-18-06		<b>FILE NAME</b> 08261G1T43-FA.DWG				

DC002(2)032305 This document is electronically generated. This is a controlled copy if used internally

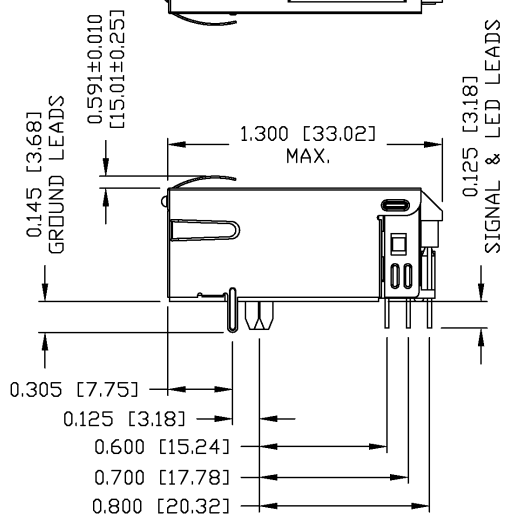
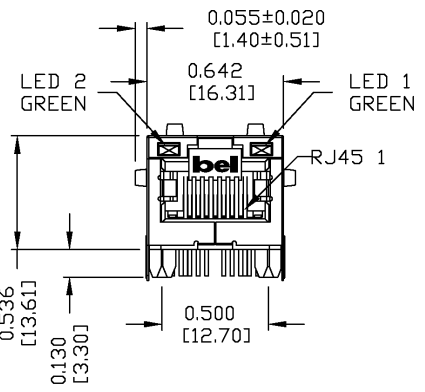
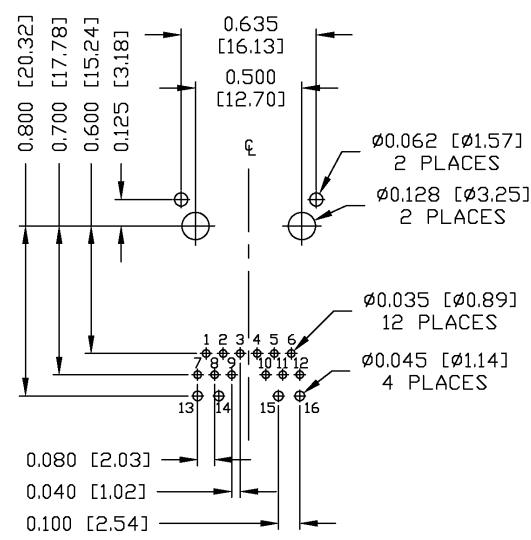
THE INFORMATION CONTAINED HEREIN IS CONSIDERED "PROPRIETARY" TO BEL FUSE INC. AND SHALL NOT BE COPIED, REPRODUCED OR DISCLOSED WITHOUT THE WRITTEN APPROVAL OF BEL FUSE INC.



**MECHANICAL SPECIFICATION**



**RECOMMENDED PCB FOOTPRINT**  
COMPONENT SIDE VIEW



**NOTES:**  
 PLASTIC HOUSING: THERMOPLASTIC PA 4/6  
 FLAMMABILITY RATING UL 94V-0  
 CONTACTS: 50 MICRO-INCH HARD GOLD PLATING  
 OUTPUT PINS: TIN-COATED COPPER WIRE, DIA 0.018 INCH.  
 METAL SHIELD: NICKEL PLATED ON COPPER ALLOY.  
 (ALL GROUND LEADS ARE SOLDER DIPPED)  
 □ MARK PART WITH MFG LOGO, MFG NAME, PART NUMBER, AND DATE CODE.

**UL** UL RECOGNIZED - FILE #E196366 AND E169987.  
 2. RoHS COMPLIANCE, PER EU DIRECTIVE 2002/95/EC  
 JACK CAVITY CONFORMS TO FCC RULES AND REGULATIONS.

<b>ORIGINATED BY</b> QIN	<b>DATE</b> 08-18-06	<b>TITLE</b> gigabit MagJack® (8 core, Tab Up) 0826-1G1T-43-F	<b>PART NO. / DRAWING NO.</b> 08261G1T43-F	<b>STANDARD DIM. TOL. IN INCH</b>	<b>[ ] METRIC DIM. AS REFERENCE</b>
<b>DRAWN BY</b> TING	<b>DATE</b> 08-18-06		<b>FILE NAME</b> 08261G1T43-FA.DWG	.X .XX .XXX ±0.010	UNIT : INCH [mm] SCALE : N/A REV. : A SIZE : A4 PAGE : 3



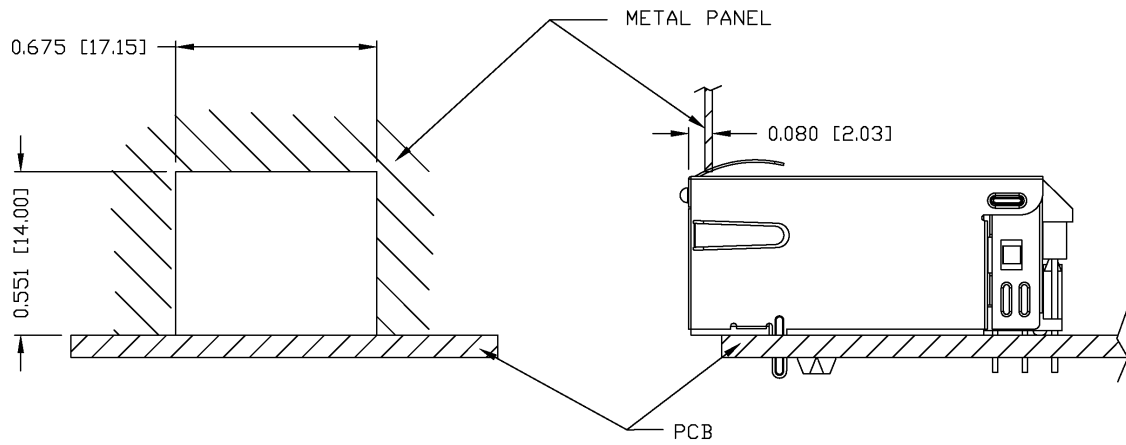
DC002(2)032305

This document is electronically generated. This is a controlled copy if used internally

THE INFORMATION CONTAINED HEREIN IS CONSIDERED "PROPRIETARY" TO BEL FUSE INC. AND SHALL NOT BE COPIED, REPRODUCED OR DISCLOSED WITHOUT THE WRITTEN APPROVAL OF BEL FUSE INC.



SUGGESTED PANEL OPENING



NOTES:

THE DISTANCE OF PANEL INSIDE SURFACE RELATIVE TO FRONT SURFACE OF PART IS ONLY A SUGGESTION. IN CASE THIS DISTANCE IS DIFFERENT, THE REQUIRED PANEL OPENING DIMENSIONS CHANGE ACCORDINGLY.

PACKING INFORMATION

PACKING TRAY : 0200-9999-F6 (TOP)  
 0200-9999-F7 (BOTTOM)  
 PACKING QUANTITY : 40 PCS FINISHED GOODS PER TRAY  
 10 TRAYS (400 PCS FINISHED GOODS) PER CARTON BOX  
 NOTE : CARDBOARDS ARE PLACED BETWEEN LAYERS OF PACKING TRAY INSIDE CARTON BOX  
 (INCLUDE THE UPPERMOST AND LOWERMOST TRAY)

ORIGINATED BY QIN	DATE 08-18-06	TITLE gigabit MagJack® (8 core, Tab Up) 0826-1G1T-43-F	PART NO. / DRAWING NO. 08261G1T43-F		STANDARD DIM. TOL. IN INCH		[ ] METRIC DIM. AS REFERENCE		bel COMPONENTS FOR A CONNECTED PLANET
			FILE NAME 08261G1T43-FA.DWG		.X .XX .XXX	±0.004	UNIT : INCH [mm] SCALE : N/A	REV. : A SIZE : A4 PAGE : 4	
DRAWN BY TING	DATE 08-18-06								

DC002(2)032305

This document is electronically generated. This is a controlled copy if used internally