

THE INFORMATION CONTAINED HEREIN IS CONSIDERED "PROPRIETARY" TO BEL FUSE INC. AND SHALL NOT BE COPIED, REPRODUCED OR DISCLOSED WITHOUT THE WRITTEN APPROVAL OF BEL FUSE INC.

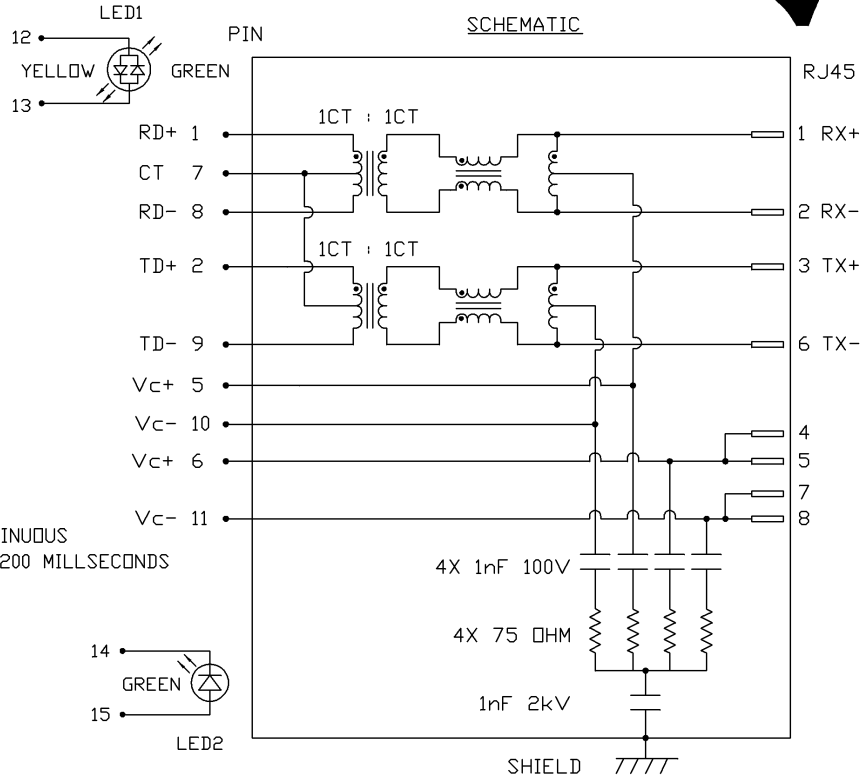
RoHS  
2002/95/EC



LED1 POLARITY			LED2 POLARITY		
PIN 12	PIN 13	COLOR	PIN 14	PIN 15	COLOR
-	+	GREEN	-	+	GREEN
+	-	YELLOW			

**ELECTRICAL CHARACTERISTICS @ 25°C**

<p> <b>URNS RATIO</b> 1CT : 1CT ±2%  <b>DCL @ 100kHz/100mVRMS</b> 8mA DC BIAS 350µH MIN.  <b>INSERTION LOSS</b> 100kHz TO 100MHz -1.5 dB MAX.  <b>RETURN LOSS (MIN.)</b> 2MHz-30MHz -16 dB MIN.          60MHz-80MHz -10 dB MIN.  <b>LEAKAGE INDUCTANCE</b> PRIMARY W/ SECONDARY SHORTED 0.25µH MAX. @ 1MHz  <b>D.C. RESISTANCE</b> (8-1)=(9-2) 1.0 OHM MAX.          (RJ1-RJ2)=(RJ3-RJ6) 1.40 OHM MAX.  <b>INTERWINDING CAPACITANCE</b> PER CHANNEL (PRI. to SEC.) 40 pF MAX.  <b>CROSS TALK</b> 100KHz - 100MHz -30 dB MIN.  <b>BALANCED DC LINE CURRENT</b> 350mA MAX. @ 57 VDC CONTINUOUS          500mA MAX. @ 57 VDC FOR 200 MILLSECONDS  <b>HIPOT (ISOLATION VOLTAGE)</b> 2250 VDC          100% OF PRODUCTION TESTED TO COMPLY WITH IEEE 802.3 ISOLATION REQUIREMENTS  <b>LED 1</b>          VF (FORWARD VOLTAGE) IF=20mA GREEN 2.2V TYP.          IF=20mA YELLOW 2.1V TYP.          λD (DOMINANT WAVELENGTH) IF=20mA GREEN 565nm TYP.          IF=20mA YELLOW 590nm TYP.  <b>LED 2</b>          VF (FORWARD VOLTAGE) IF=20mA GREEN 2.2V TYP.          λD (DOMINANT WAVELENGTH) IF=20mA GREEN 565nm TYP.       </p>	
---	--



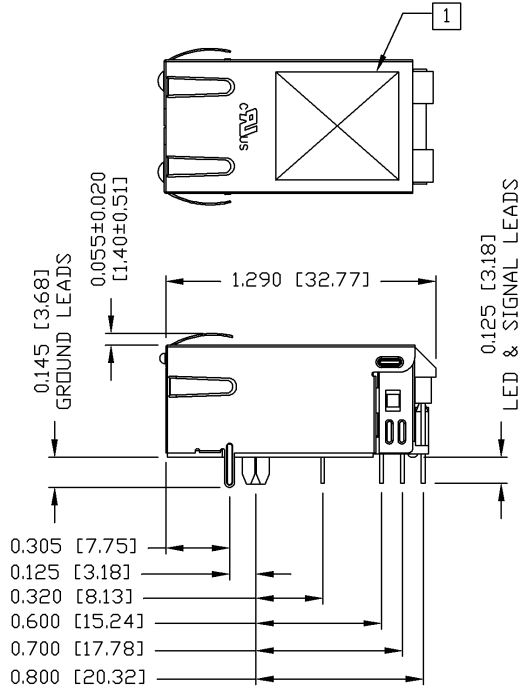
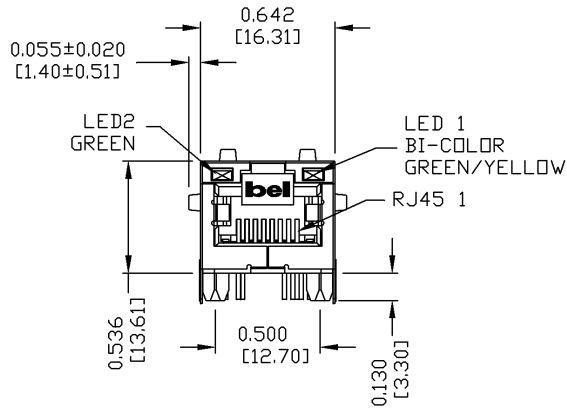
<b>ORIGINATED BY</b> CHOW WANGCHUNG <b>DATE</b> 11-28-08	<b>TITLE</b> 10/100 MagJack® PoE 0826-1L1T-57-F	<b>PART NO. / DRAWING NO.</b> 08261L1T57-F <b>FILE NAME</b> 08261L1T57-F_C.DWG	<b>STANDARD DIM. TOL. IN INCH</b> .X .XX .XXX	<b>[ ] METRIC DIM. AS REFERENCE</b> <b>UNIT : INCH [mm]</b> <b>SCALE : N/A</b> <b>REV. : C</b> <b>SIZE : A4</b> <b>PAGE : 2</b>	
---	--	---	--	--	--

DC002(2)032305

This document is electronically generated. This is a controlled copy if used internally

THE INFORMATION CONTAINED HEREIN IS CONSIDERED "PROPRIETARY" TO BEL FUSE INC. AND SHALL NOT BE COPIED, REPRODUCED OR DISCLOSED WITHOUT THE WRITTEN APPROVAL OF BEL FUSE INC.

MECHANICAL SPECIFICATION



NOTES:

- PLASTIC HOUSING: THERMOPLASTIC PA
- FLAMMABILITY RATING UL 94V-0
- CONTACTS: 50 MICRO-INCH HARD GOLD PLATING
- OUTPUT PINS: TIN-COATED COPPER WIRE, DIA 0.018 INCH.
- METAL SHIELD: NICKEL PLATED ON COPPER ALLOY.
- (ALL GROUND LEADS ARE SOLER DIPPED)

① MARK PART WITH MFG LOGO, MFG NAME, PART NUMBER, AND DATE CODE.

UL US UL RECOGNIZED - FILE #E196366 AND E169987.  
 RoHS COMPLIANCE, PER EU DIRECTIVE 2002/95/EC.  
 JACK CAVITY CONFORMS TO FCC RULES AND REGULATIONS.

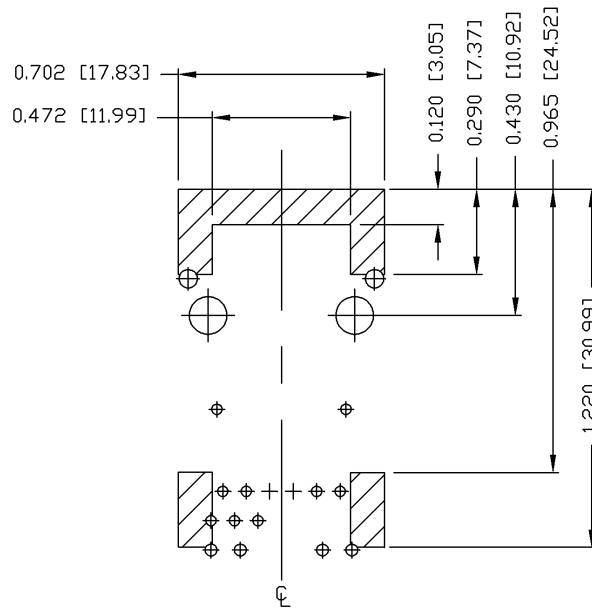
ORIGINATED BY	DATE	TITLE	PART NO. / DRAWING NO.	STANDARD DIM. TOL. IN INCH	[ ] METRIC DIM. AS REFERENCE
LIU QIN	11-28-08	10/100 MagJack® PoE	08261L1T57-F	.X	UNIT : INCH [mm] REV. : C
DRAWN BY	DATE	0826-1L1T-57-F	FILE NAME	.XX	SCALE : N/A SIZE : A4
XIAN JIAXIN	11-28-08		08261L1T57-F_C.DWG	.XXX ±0.010	PAGE : 3



DC002(2)032305

This document is electronically generated. This is a controlled copy if used internally

THE INFORMATION CONTAINED HEREIN IS CONSIDERED "PROPRIETARY" TO BEL FUSE INC. AND SHALL NOT BE COPIED, REPRODUCED OR DISCLOSED WITHOUT THE WRITTEN APPROVAL OF BEL FUSE INC.



NOTES

THE SHADED AREA ON THE CUSTOMER BOARD ARE RECOMMENDED TO BE CLEAR OFF ANY VIA HOLE OR COMPONENT PAD.

ORIGINATED BY LIU QIN	DATE 11-28-08	TITLE 10/100 MagJack® PoE 0826-1L1T-57-F	PART NO. / DRAWING NO. 08261L1T57-F	STANDARD DIM. TOL. IN INCH	[ ] METRIC DIM. AS REFERENCE	 COMPONENTS FROM A CONNECTED PLANET					
DRAWN BY XIAN JIAXIN	DATE 11-28-08		FILE NAME 08261L1T57-F_C.DWG	<table border="1"> <tr> <td>.X</td> <td>/</td> </tr> <tr> <td>.XX</td> <td>/</td> </tr> <tr> <td>.XXX</td> <td>±0.004</td> </tr> </table>	.X		/	.XX	/	.XXX	±0.004
.X	/										
.XX	/										
.XXX	±0.004										
					SCALE : N/A	SIZE : A4					
						PAGE : 4					

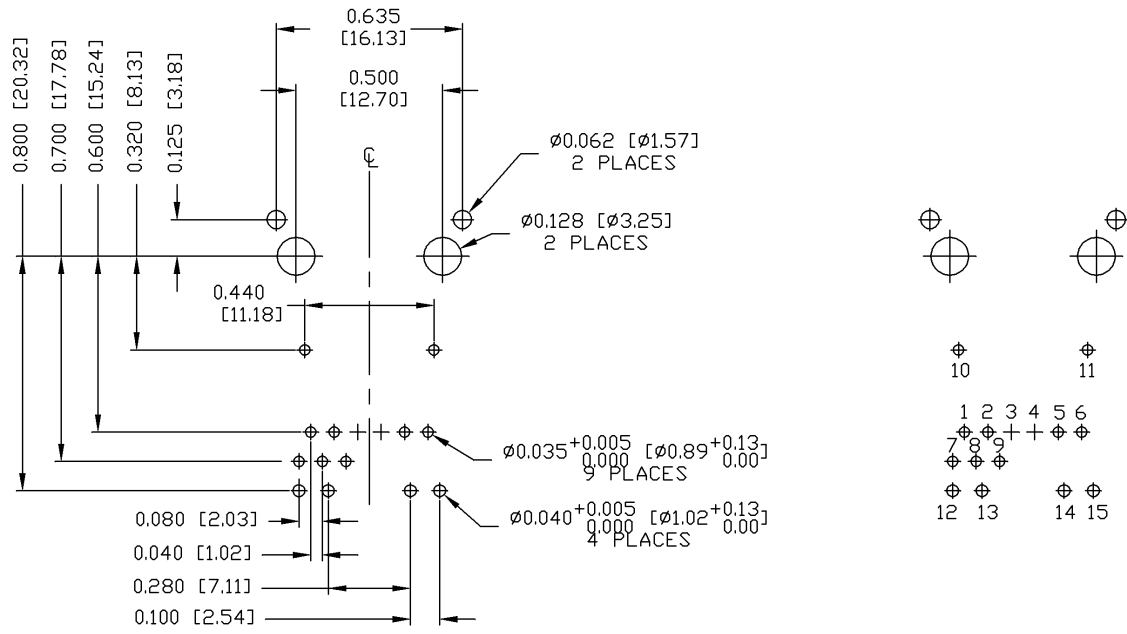
DC002(2)032305

This document is electronically generated. This is a controlled copy if used internally

THE INFORMATION CONTAINED HEREIN IS CONSIDERED "PROPRIETARY" TO BEL FUSE INC. AND SHALL NOT BE COPIED, REPRODUCED OR DISCLOSED WITHOUT THE WRITTEN APPROVAL OF BEL FUSE INC.



RECOMMENDED PCB FOOTPRINT  
COMPONENT SIDE VIEW



ORIGINATED BY LIU QIN	DATE 11-28-08	TITLE 10/100 MagJack® PoE	PART NO. / DRAWING NO. 08261L1T57-F	STANDARD DIM. TOL. IN INCH	[ ] METRIC DIM. AS REFERENCE	 COMPONENTS ON A CONNECTED PLANET	
DRAWN BY XIAN JIAXIN	DATE 11-28-08	TITLE 0826-1L1T-57-F	FILE NAME 08261L1T57-F_C.DWG	.X	UNIT : INCH [mm]		REV. : C
				.XX	SCALE : N/A		SIZE : A4
				.XXX	±0.004	PAGE : 5	

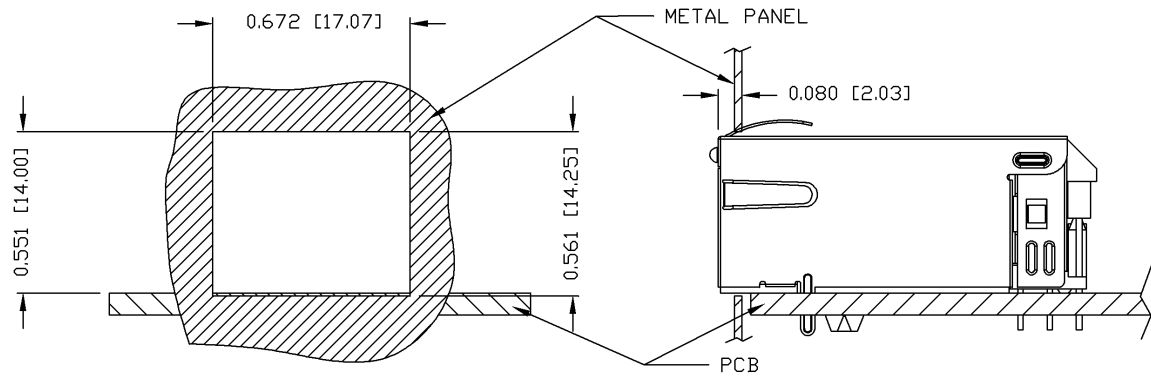
DC002(2)032305

This document is electronically generated. This is a controlled copy if used internally

THE INFORMATION CONTAINED HEREIN IS CONSIDERED "PROPRIETARY" TO BEL FUSE INC. AND SHALL NOT BE COPIED, REPRODUCED OR DISCLOSED WITHOUT THE WRITTEN APPROVAL OF BEL FUSE INC.



SUGGESTED PANEL OPENING



NOTE:

THE DISTANCE OF PANEL INSIDE SURFACE RELATIVE TO FRONT SURFACE OF PART IS ONLY A SUGGESTION. IN CASE THIS DISTANCE IS DIFFERENT, THE REQUIRED PANEL OPENING DIMENSIONS CHANGE ACCORDINGLY.

PACKING INFORMATION

PACKING TRAY : 0200-9999-F6 (TOP)  
0200-9999-F7 (BOTTOM)

PACKING QUANTITY : 40 PCS FINISHED GOODS PER TRAY  
10 TRAYS (400 PCS FINISHED GOODS) PER CARTON BOX

NOTE : CARDBOARDS ARE PLACED BETWEEN LAYERS OF PACKING TRAY INSIDE CARTON BOX  
(INCLUDE THE UPPERMOST AND LOWERMOST TRAY)

<b>ORIGINATED BY</b> LIU QIN	<b>DATE</b> 11-28-08	<b>TITLE</b> 10/100 MagJack® PoE	<b>PART NO. / DRAWING NO.</b> 08261L1T57-F	<b>STANDARD DIM.</b> TOL. IN INCH	<b>[ ] METRIC DIM. AS REFERENCE</b>		<b>bel</b> COMPONENTS ARE A CONNECTED PLANET
<b>DRAWN BY</b> XIAN JIAXIN	<b>DATE</b> 11-28-08		<b>FILE NAME</b> 08261L1T57-F_C.DWG		.X .XX .XXX ±0.004	UNIT : INCH [mm] SCALE : N/A	

DC002(2)032305

This document is electronically generated. This is a controlled copy if used internally