

## INTEGRATED CONNECTOR MODULES

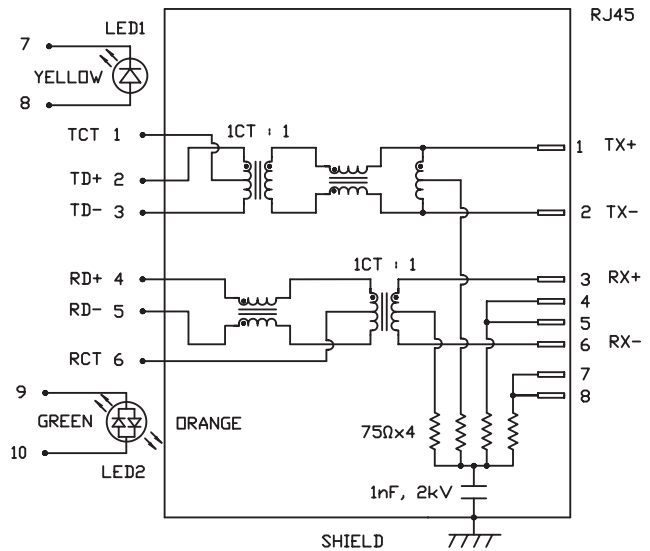
### 08C2-1X1T-03 10/100Base-TX Single Port MagJack® with LEDs



LED1 POLARITY			LED2 POLARITY		
PIN 7	PIN 8	COLOR	PIN 9	PIN 10	COLOR
-	+	YELLOW	+	-	ORANGE
-	+	YELLOW	-	+	GREEN

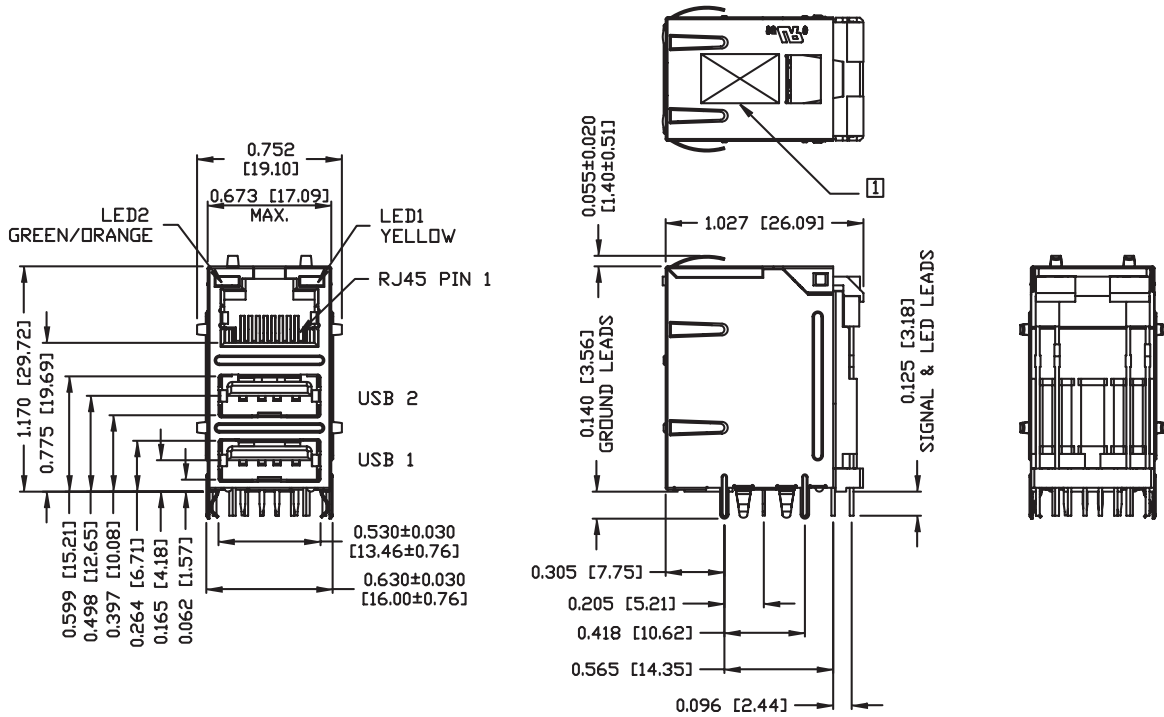
#### ELECTRICAL CHARACTERISTICS @ 25°C

TURNS RATIO			
TX	ICT : 1		
RX	ICT : 1		
DCL @ 100kHz/100mVRMS			
8mA DC BIAS		350µH MIN.	
INS. LOSS			
1MHz TO 100MHz		-1.0 dB MAX	
RET. LOSS (MIN)			
1MHz-30MHz		-18 dB	
30MHz-60MHz		-18+20LOG(F/30MHz) dB	
60MHz-80MHz		-12 dB	
CROSS TALK (TX - RX)			
100kHz-100MHz		-35 dB MIN	
CM TO CM REJ			
100kHz-100MHz		-30 dB MIN	
CM TO DM REJ			
100kHz-100MHz		-35 dB MIN	
HIPDT (Isolation Voltage)			
		1500 Vrms	
LED 1			
VF (FORWARD VOLTAGE)	IF=20mA	YELLOW	2.1V TYP.
λD (DOMINANT WAVELENGTH)	IF=20mA	YELLOW	590nm TYP.
LED 2			
VF (FORWARD VOLTAGE)	IF=20mA	GREEN	2.2V TYP.
		ORANGE	2.0V TYP.
λD (DOMINANT WAVELENGTH)	IF=20mA	GREEN	565nm TYP.
		ORANGE	610nm TYP.



USB ELECTRICAL:  
 INSULATION RESISTANCE: 1000 MEGA Ω (MIN)  
 CONTACT RESISTANCE: 25 MILLI Ω (MAX)  
 DIELECTRIC WITHSTANDING: 750 VAC

**INTEGRATED CONNECTOR MODULES**  
**08C2-1X1T-03 10/100Base-TX Single Port MagJack® with LEDs**



**MagJack®**

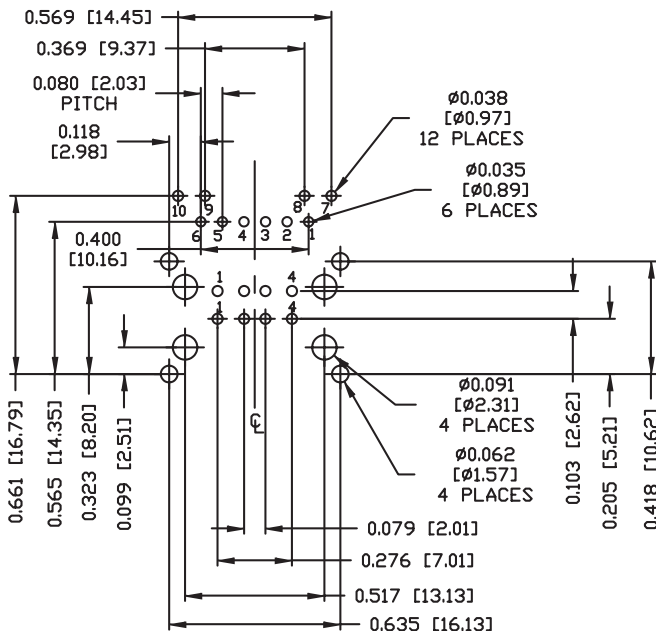
©2006 Bel Fuse Inc. Specifications subject to change without notice. 03.06

Bel Fuse Inc. 206 Van Vorst Street, Jersey City, NJ 07302 • Tel 201-432-0463 • Fax 201-432-9542 • www.belfuse.com

**INTEGRATED CONNECTOR MODULES**  
**08C2-1X1T-03 10/100Base-TX Single Port MagJack® with LEDs**



Recommended PCB footprint  
 Component Side



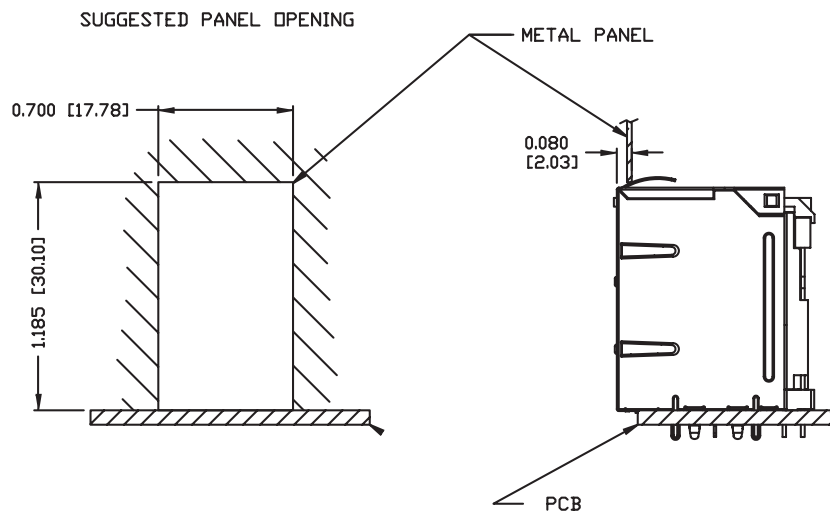
RJ45 MECHANICAL: THERMOPLASTIC PBT OR EQUIVALENT.  
 PLASTIC HOUSING: FLAMMABILITY RATING UL 94V-0  
 CONTACT PLATING: 30 MICRO-INCH HARD GOLD PLATING  
 PINS: TIN-COATED COPPER WIRE, DIA 0.018 INCH.  
 METAL SHIELD: TIN PLATED ON COPPER ALLOY.  
 USB MECHANICAL: 35 NEWTONS MAXIMUM  
 MATING FORCE: 10 NEWTONS MINIMUM  
 UNMATING FORCE: PHOSPHOR BRONZE  
 CONTACT: 30 MICRO-INCH GOLD PLATING ON CONTACT  
 AREA AND TIN ON SOLDER TAIL.



UL US UL RECOGNIZED - FILE #E196366 AND E169987.

1. MARK PART WITH MFG LOGO, MFG NAME, PART NUMBER, AND DATE CODE.
2. RoHS COMPLIANCE, PER EU DIRECTIVE 2002/95/EC.

**INTEGRATED CONNECTOR MODULES**  
**08C2-1X1T-03 10/100Base-TX Single Port MagJack® with LEDs**



**NOTE:**

THE DISTANCE OF PANEL INSIDE SURFACE RELATIVE TO FRONT SURFACE OF PART IS ONLY A SUGGESTION. IN CASE THIS DISTANCE IS DIFFERENT, THE REQUIRED PANEL OPENING DIMENSIONS CHANGE ACCORDINGLY.

**PACKING INFORMATION**

PACKING TRAY : 0200-9999-A3

PACKING QUANTITY : 42 PCS FINISHED GOODS PER TRAY

10 TRAYS (420 PCS FINISHED GOODS) PER CARTON BOX

NOTE : CARDBOARDS ARE PLACED BETWEEN LAYERS OF PACKING TRAY INSIDE CARTON BOX (INCLUDE THE UPPERMOST AND LOWERMOST TRAY)