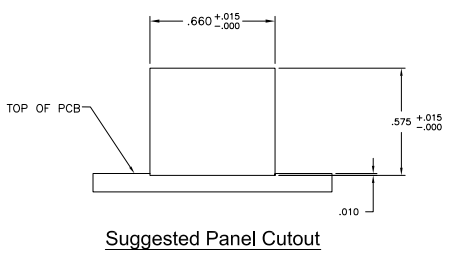
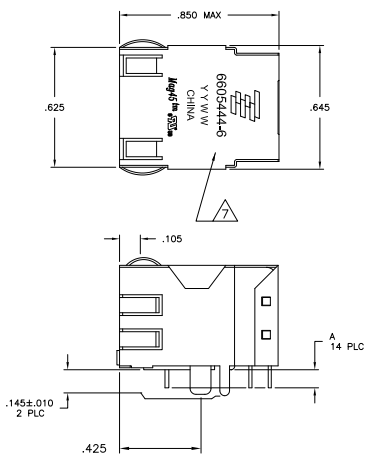
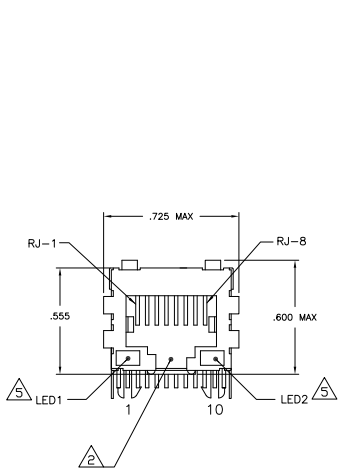


REV	DATE	DESCRIPTION	BY	CHK	APP
AA	22				
E1		REVISED PER EDD-11-005150			21MMR11 RK HMR

MECHANICAL:



- △ MATERIALS:**
 HOUSING - THERMOPLASTIC POLYESTER FLAMMABILITY RATING UL 94V-0.
 SHIELD - .010" THICK, C26800 BRASS PREPLATED WITH 30μINCH SEMI-BRIGHT NICKEL. SOLDER TABS POST DIPPED WITH 100μINCH MN SAC SOLDER.
 NICKEL SOLDER TABS POST DIPPED WITH 100μINCH MN SAC SOLDER.
 MOD JACK CONTACTS - 0.0157 X 0.018" PHOSPHOR BRONZE, 50μINCH MIN OVERALL NICKEL UNDERPLATE, WITH SELECT 50μINCH MIN HARD GOLD FINISH PLATE SOLDER TAILS WITH 100μINCH MIN MATTE TIN AND/OR SAC SOLDER DIP.
 LIGHT EMITTING DIODE(LED) - DIFFUSED EPOXY LENS, .020" x .020" CARBON STEEL WIREFRAME LEADS PRE-PLATED WITH 80μINCH SILVER OVER 40μINCH NICKEL UNDERPLATE OVER 40μINCH COPPER UNDERPLATE. POST-PLATED WITH 100μINCH MIN MATTE TIN AND/OR SAC SOLDER DIP OR PURE TIN SOLDER DIP.
- △ RJ45 JACK CAVITY CONFORMS TO FCC RULES AND REGULATIONS PART 68, SUB PART F.**
- △ MAGNETICS**
 -IMPEDANCE: 100 OHMS
 -TURNS RATIO (CHIP CABLE): 1:1 ALL FOUR PAIRS
 -OPEN CIRCUIT INDUCTANCE (OCL): 350nH MIN @100kHz, 0.1VRMS, 8mADC BIAS FROM 0°C TO 70°C, ALL FOUR PAIRS
 -ALL FOUR PAIRS BI-DIRECTIONAL
 -PERFORMANCE @ 25°C
 INSERTION LOSS (IL): 1.1dB MAX FROM 0.5MHz TO 100MHz
 RETURN LOSS (RL): 18dB MIN FROM 0.5MHz TO 4.0MHz
 12-20LOG(f/80)dB MIN FROM 4.0MHz TO 100MHz
 CROSSTALK ATTENUATION: 35dB MIN FROM 0.5MHz TO 4.0MHz
 33-20LOG(f/50)dB MIN FROM 4.0MHz TO 100MHz
 COMMON MODE REJECTION RATIO (CMRR): 30dB MIN FROM 0.5MHz TO 100MHz
 ISOLATION VOLTAGE: COMPLIES WITH IEEE802.3 2002, PARA 40.6.1.1, ITEM b.
- 4. OPERATING TEMPERATURE: FROM 0°C TO -70°C.**
- △ THE 250 OHM LED RESISTORS ARE OPTIONAL. PLEASE SEE CHART FOR PRESENCE OR ABSENCE OF LED RESISTORS. IF THE LED WITHOUT 250 OHM RESISTORS, LED IS DRIVEN WITH CONSTANT CURRENT AT APPROX 20mA.**
 LED COLOR: DOMINANT WAVELENGTH (D0): GREEN 568 nm TYP. @ IF=20mA
 FORWARD VOLTAGE (VF): GREEN 2.2V TYP. @ IF=20mA
 DOMINANT WAVELENGTH (D0): YELLOW 588 nm TYP. @ IF=20mA
 FORWARD VOLTAGE (VF): YELLOW 2.1V TYP. @ IF=20mA
 DOMINANT WAVELENGTH (D0): ORANGE 605 nm TYP. @ IF=20mA
 FORWARD VOLTAGE (VF): ORANGE 2.1V TYP. @ IF=20mA
- IF THE LED WITH 250 OHM RESISTORS, LED IS DRIVEN WITH 5V VOLTAGE AND THE MAX OPERATING CURRENT IS 20mA.
 LED COLOR: DOMINANT WAVELENGTH (D0): GREEN 568 nm TYP. @ VF=5V
 FORWARD CURRENT (IF): GREEN 12 mA TYP. @ VF=5V
- △ INDICATED MAGNETIC CONNECTIONS ARE SYMMETRICAL TO SUPPORT AUTO-MDI/MDIX.**
- △ TYCO ELECTRONICS LOGO, PART NUMBER, DATE CODE, COUNTRY OF ORIGIN AND AGENCY APPROVAL MARKING IN APPROXIMATE LOCATION SHOWN.**
- 8. THESE PARTS ARE RECOMMENDED FOR WAVE SOLDERING PROCESS. PREHEAT TEMPERATURE IS 120°C TO 160°C, 120 SECONDS TO 180 SECONDS. PEAK WAVE SOLDERING TEMPERATURE IS 260°C MAX, 10 SECONDS MAX.**

TEMPERATURE	090±.010	GREEN/YELLOW	NO	GREEN/YELLOW	NO	3-6605444-6
NORMAL TEMPERATURE	145±.010	GREEN/YELLOW	NO	GREEN/YELLOW	NO	2-6605444-6
NORMAL TEMPERATURE	090±.010	GREEN	NO	GREEN/ORANGE	NO	1-6605444-8
NORMAL TEMPERATURE	090±.010	GREEN/ORANGE	NO	YELLOW	NO	1-6605444-3
NORMAL TEMPERATURE	090±.010	GREEN	YES	GREEN	YES	1-6605444-1
NORMAL TEMPERATURE	090±.010	GREEN/YELLOW	NO	GREEN/YELLOW	NO	6605444-8
HOUSING MATERIAL	A	LED1	250 OHM RESISTOR	LED2	250 OHM RESISTOR	PART NUMBER

THIS DRAWING IS A CONTROLLED DOCUMENT. IF ATTORNEY GENERAL'S OFFICE IS REQUIRED FOR APPROVAL, CONTACT THE ATTORNEY GENERAL'S OFFICE.

TE Connectivity

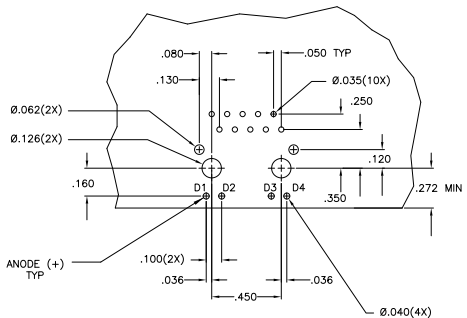
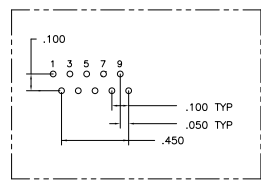
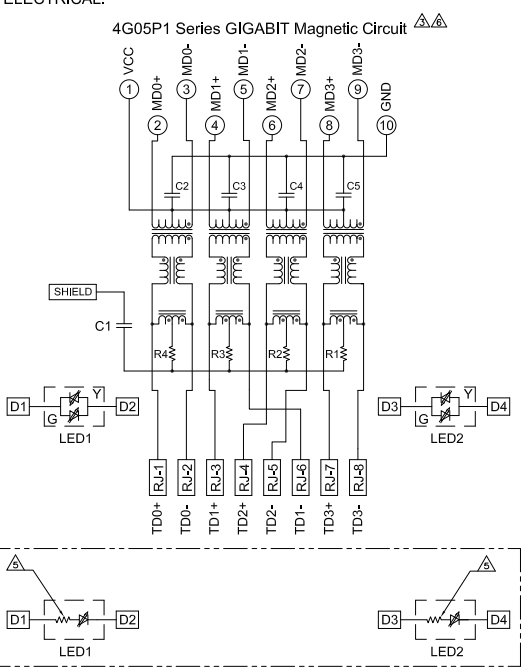
1X1 MAG45(TM), 40G4P1 GIGABIT ETHERNET SCHEMATIC (10 PIN FOOTPRINT), 40GSP1 SERIES MAGNETIC CIRCUIT, SHIELDED, WITH LEADS

108-2100

DATE 08/20/10 DRAWN BY A1007799

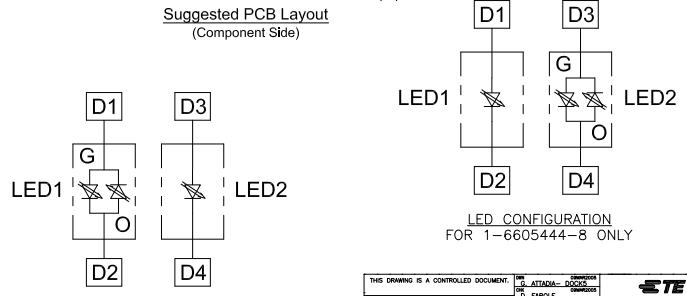
CUSTOMER DRAWING

ELECTRICAL:



LED CONFIGURATION
For 1-6605444-1 ONLY

- C1 = 1000 pF, 2kV CAPACITOR
- R1-R4 = 75 OHMS, 1/16 W RESISTORS
- C2-C5 = 0.1uF, 50V, X7R CAPACITORS



LED CONFIGURATION
FOR 1-6605444-3 ONLY

LED CONFIGURATION
FOR 1-6605444-8 ONLY

THIS DRAWING IS A CONTROLLED DOCUMENT.		ATTACHMENT: 100%	DATE: 10/20/10	REV: 1	BY: [Signature]	APP: [Signature]
DESIGNER: [Signature]	DATE: 10/20/10	REV: 1	BY: [Signature]	APP: [Signature]	CUSTOMER DRAWING	
DESCRIPTION: 1X1 MAG44(TM), 4G05P1 GIGABIT ETHERNET SCHEMATIC (10 PIN FOOTPRINT), 4G05P1 SERIES MAGNETIC CIRCUIT, SHIELDED, WITH LEADS		DATE: 10/20/10	REV: 1	BY: [Signature]	APP: [Signature]	DATE: 10/20/10
PART: 1-6605444		DATE: 10/20/10	REV: 1	BY: [Signature]	APP: [Signature]	DATE: 10/20/10