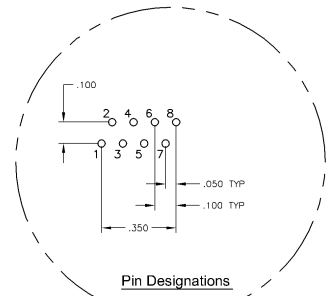
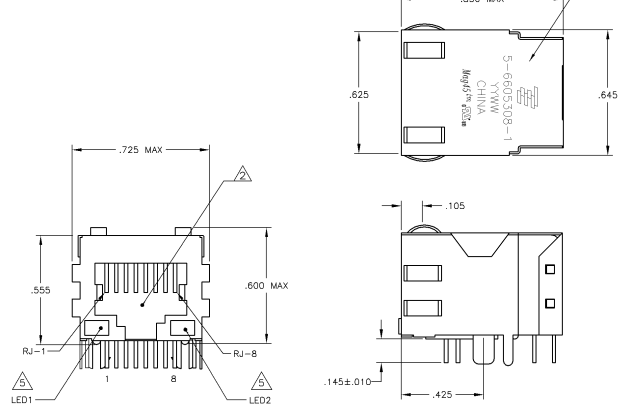
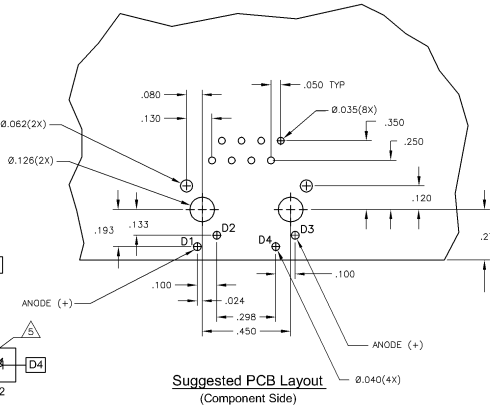
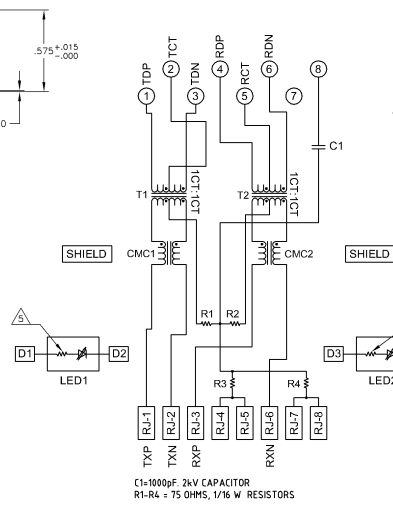
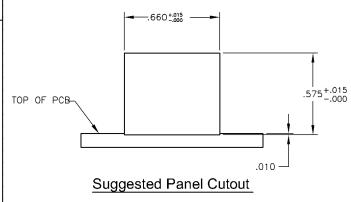


MECHANICAL:



- △ MATERIALS: HOUSING - THERMOPLASTIC PET POLYESTER FLAMMABILITY RATING UL 94V-0. SHIELD - .010" THICK, C26800 BRASS PREPLATED WITH 30μINCH SEMI-BRIGHT NICKEL. SOLDER TABS POST DIPPED WITH 100μINCH MIN SAC SOLDER. MOD JACK CONTACTS - 0.0157 X 0.018" PHOSPHOR BRONZE, 50μINCH MIN OVERALL NICKEL UNDERPLATE, WITH SELECT 50μINCH MIN HARD GOLD FINISH PLATE. SOLDER TAILS WITH 100μINCH MIN MATTE TIN AND/OR SAC SOLDER DIP. LIGHT EMITTING DIODE(LED) - DIFFUSED EPOXY LENS, .020" X .020" CARBON STEEL WIREFRAME LEADS PRE-PLATED WITH 80μINCH SILVER OVER 40μINCH NICKEL UNDERPLATE OVER 40μINCH COPPER UNDERPLATE. POST-PLATED WITH 100μINCH MIN MATTE TIN AND/OR SAC SOLDER DIP OR PURE TIN SOLDER DIP.
- △ RJ45 JACK CAVITY CONFORMS TO FCC RULES AND REGULATIONS PART 68, SUB PART F.
- △ MAGNETICS: -IMPEDANCE: 100 OHMS -TURNS RATIO (CHP-CABLE): TX = 11, RX = 11 -OPEN CIRCUIT INDUCTANCE (OCL): 350μH MIN @100MHz, 0.1VRMS. -BIAS BIAS FROM 0°C TO 70°C, TX AND RX -PERFORMANCE @ 25°C: -INSERTION LOSS (IL): 11dB MAX FROM 0.5MHz TO 100MHz -RETURN LOSS (RL): 18dB MIN FROM 0.5MHz TO 30MHz 18-20dBi/150dB MIN FROM 30MHz TO 60MHz 12dB MIN FROM 60MHz TO 80MHz -CROSSTALK ATTENUATION: 35dB MIN FROM 0.5MHz TO 40MHz 33-20dBi/150dB MIN FROM 40MHz TO 100MHz -COMMON MODE REJECTION RATIO (CMRR): 30dB MIN FROM 0.5MHz TO 100MHz -ISOLATION VOLTAGE: COMPLIES WITH IEEE802.3.2002, PARA 23.5.11, ITEM b.
- 4. OPERATING TEMPERATURE: FROM 0°C - +70°C.
- △ LED WITH 250 OHM RESISTORS, LED IS DRIVEN WITH 5V VOLTAGE AND THE MAX OPERATING CURRENT IS 20mA. LED COLOR: -DOMINANT WAVELENGTH (λD): GREEN 568 nm TYP @ VF=5V -FORWARD CURRENT (IF): GREEN 12 mA TYP @ VF=5V -DOMINANT WAVELENGTH (λD): YELLOW 588 nm TYP @ VF=5V -FORWARD CURRENT (IF): YELLOW 13 mA TYP @ VF=5V
- △ INDICATED CONNECTIONS ARE FOR NICK CONFIGURATION. THE MAGNETICS ARE SYMMETRICAL, AND DO SUPPORT AUTO-HSD/MDX.
- △ TYCO ELECTRONICS LOGO, PART NUMBER, DATE CODE, COUNTRY OF ORIGIN AND AGENCY APPROVAL MARKING IN APPROXIMATE LOCATION SHOWN.
- 8. THE PART IS RECOMMENDED FOR WAVE SOLDERING PROCESS. PREHEAT TEMPERATURE IS 120°C TO 160°C, 120 SECONDS TO 180 SECONDS. PEAK SOLDERING TEMPERATURE IS 260 °C MAX, 10 SECONDS MAX.

326P1 SERIES MAGNETIC CIRCUIT



GREEN		YELLOW		5-6605308-1	
LED1		LED2		PART NUMBER	
THIS DRAWING IS A CONTROLLED DOCUMENT. IN ATTENDANCE WITH THE COMPANY'S POLICY ON DOCUMENT CONTROL, THIS DRAWING IS THE PROPERTY OF TYCO ELECTRONICS CORPORATION. IT IS TO BE USED ONLY FOR THE PURPOSES AND IN THE QUANTITIES SPECIFIED IN THE ORDER. IT IS NOT TO BE REPRODUCED OR TRANSMITTED IN ANY FORM OR BY ANY MEANS, ELECTRONIC OR MECHANICAL, INCLUDING PHOTOCOPYING, RECORDING, OR BY ANY INFORMATION STORAGE AND RETRIEVAL SYSTEM, WITHOUT THE WRITTEN PERMISSION OF TYCO ELECTRONICS CORPORATION.					
DATE	REV	BY	CHKD	APPD	DESCRIPTION
108-2100	1	108-2100	1	108-2100	1X1 MAG45(TM) MODULAR JACK, 4N2P1 SCHEMATIC, 326P1 CIRCUIT, SHIELDED, DISCOUPLING CAPACITOR, WITH RESISTOR LEADS
DATE	REV	BY	CHKD	APPD	DESCRIPTION
108-2100	1	108-2100	1	108-2100	1X1 MAG45(TM) MODULAR JACK, 4N2P1 SCHEMATIC, 326P1 CIRCUIT, SHIELDED, DISCOUPLING CAPACITOR, WITH RESISTOR LEADS
DATE	REV	BY	CHKD	APPD	DESCRIPTION
108-2100	1	108-2100	1	108-2100	1X1 MAG45(TM) MODULAR JACK, 4N2P1 SCHEMATIC, 326P1 CIRCUIT, SHIELDED, DISCOUPLING CAPACITOR, WITH RESISTOR LEADS
DATE	REV	BY	CHKD	APPD	DESCRIPTION
108-2100	1	108-2100	1	108-2100	1X1 MAG45(TM) MODULAR JACK, 4N2P1 SCHEMATIC, 326P1 CIRCUIT, SHIELDED, DISCOUPLING CAPACITOR, WITH RESISTOR LEADS
DATE	REV	BY	CHKD	APPD	DESCRIPTION
108-2100	1	108-2100	1	108-2100	1X1 MAG45(TM) MODULAR JACK, 4N2P1 SCHEMATIC, 326P1 CIRCUIT, SHIELDED, DISCOUPLING CAPACITOR, WITH RESISTOR LEADS
DATE	REV	BY	CHKD	APPD	DESCRIPTION
108-2100	1	108-2100	1	108-2100	1X1 MAG45(TM) MODULAR JACK, 4N2P1 SCHEMATIC, 326P1 CIRCUIT, SHIELDED, DISCOUPLING CAPACITOR, WITH RESISTOR LEADS
DATE	REV	BY	CHKD	APPD	DESCRIPTION
108-2100	1	108-2100	1	108-2100	1X1 MAG45(TM) MODULAR JACK, 4N2P1 SCHEMATIC, 326P1 CIRCUIT, SHIELDED, DISCOUPLING CAPACITOR, WITH RESISTOR LEADS
DATE	REV	BY	CHKD	APPD	DESCRIPTION
108-2100	1	108-2100	1	108-2100	1X1 MAG45(TM) MODULAR JACK, 4N2P1 SCHEMATIC, 326P1 CIRCUIT, SHIELDED, DISCOUPLING CAPACITOR, WITH RESISTOR LEADS
DATE	REV	BY	CHKD	APPD	DESCRIPTION
108-2100	1	108-2100	1	108-2100	1X1 MAG45(TM) MODULAR JACK, 4N2P1 SCHEMATIC, 326P1 CIRCUIT, SHIELDED, DISCOUPLING CAPACITOR, WITH RESISTOR LEADS
DATE	REV	BY	CHKD	APPD	DESCRIPTION
108-2100	1	108-2100	1	108-2100	1X1 MAG45(TM) MODULAR JACK, 4N2P1 SCHEMATIC, 326P1 CIRCUIT, SHIELDED, DISCOUPLING CAPACITOR, WITH RESISTOR LEADS
DATE	REV	BY	CHKD	APPD	DESCRIPTION
108-2100	1	108-2100	1	108-2100	1X1 MAG45(TM) MODULAR JACK, 4N2P1 SCHEMATIC, 326P1 CIRCUIT, SHIELDED, DISCOUPLING CAPACITOR, WITH RESISTOR LEADS
DATE	REV	BY	CHKD	APPD	DESCRIPTION
108-2100	1	108-2100	1	108-2100	1X1 MAG45(TM) MODULAR JACK, 4N2P1 SCHEMATIC, 326P1 CIRCUIT, SHIELDED, DISCOUPLING CAPACITOR, WITH RESISTOR LEADS
DATE	REV	BY	CHKD	APPD	DESCRIPTION
108-2100	1	108-2100	1	108-2100	1X1 MAG45(TM) MODULAR JACK, 4N2P1 SCHEMATIC, 326P1 CIRCUIT, SHIELDED, DISCOUPLING CAPACITOR, WITH RESISTOR LEADS
DATE	REV	BY	CHKD	APPD	DESCRIPTION
108-2100	1	108-2100	1	108-2100	1X1 MAG45(TM) MODULAR JACK, 4N2P1 SCHEMATIC, 326P1 CIRCUIT, SHIELDED, DISCOUPLING CAPACITOR, WITH RESISTOR LEADS
DATE	REV	BY	CHKD	APPD	DESCRIPTION
108-2100	1	108-2100	1	108-2100	1X1 MAG45(TM) MODULAR JACK, 4N2P1 SCHEMATIC, 326P1 CIRCUIT, SHIELDED, DISCOUPLING CAPACITOR, WITH RESISTOR LEADS
DATE	REV	BY	CHKD	APPD	DESCRIPTION
108-2100	1	108-2100	1	108-2100	1X1 MAG45(TM) MODULAR JACK, 4N2P1 SCHEMATIC, 326P1 CIRCUIT, SHIELDED, DISCOUPLING CAPACITOR, WITH RESISTOR LEADS
DATE	REV	BY	CHKD	APPD	DESCRIPTION
108-2100	1	108-2100	1	108-2100	1X1 MAG45(TM) MODULAR JACK, 4N2P1 SCHEMATIC, 326P1 CIRCUIT, SHIELDED, DISCOUPLING CAPACITOR, WITH RESISTOR LEADS
DATE	REV	BY	CHKD	APPD	DESCRIPTION
108-2100	1	108-2100	1	108-2100	1X1 MAG45(TM) MODULAR JACK, 4N2P1 SCHEMATIC, 326P1 CIRCUIT, SHIELDED, DISCOUPLING CAPACITOR, WITH RESISTOR LEADS
DATE	REV	BY	CHKD	APPD	DESCRIPTION
108-2100	1	108-2100	1	108-2100	1X1 MAG45(TM) MODULAR JACK, 4N2P1 SCHEMATIC, 326P1 CIRCUIT, SHIELDED, DISCOUPLING CAPACITOR, WITH RESISTOR LEADS
DATE	REV	BY	CHKD	APPD	DESCRIPTION
108-2100	1	108-2100	1	108-2100	1X1 MAG45(TM) MODULAR JACK, 4N2P1 SCHEMATIC, 326P1 CIRCUIT, SHIELDED, DISCOUPLING CAPACITOR, WITH RESISTOR LEADS
DATE	REV	BY	CHKD	APPD	DESCRIPTION
108-2100	1	108-2100	1	108-2100	1X1 MAG45(TM) MODULAR JACK, 4N2P1 SCHEMATIC, 326P1 CIRCUIT, SHIELDED, DISCOUPLING CAPACITOR, WITH RESISTOR LEADS
DATE	REV	BY	CHKD	APPD	DESCRIPTION
108-2100	1	108-2100	1	108-2100	1X1 MAG45(TM) MODULAR JACK, 4N2P1 SCHEMATIC, 326P1 CIRCUIT, SHIELDED, DISCOUPLING CAPACITOR, WITH RESISTOR LEADS
DATE	REV	BY	CHKD	APPD	DESCRIPTION
108-2100	1	108-2100	1	108-2100	1X1 MAG45(TM) MODULAR JACK, 4N2P1 SCHEMATIC, 326P1 CIRCUIT, SHIELDED, DISCOUPLING CAPACITOR, WITH RESISTOR LEADS
DATE	REV	BY	CHKD	APPD	DESCRIPTION
108-2100	1	108-2100	1	108-2100	1X1 MAG45(TM) MODULAR JACK, 4N2P1 SCHEMATIC, 326P1 CIRCUIT, SHIELDED, DISCOUPLING CAPACITOR, WITH RESISTOR LEADS
DATE	REV	BY	CHKD	APPD	DESCRIPTION
108-2100	1	108-2100	1	108-2100	1X1 MAG45(TM) MODULAR JACK, 4N2P1 SCHEMATIC, 326P1 CIRCUIT, SHIELDED, DISCOUPLING CAPACITOR, WITH RESISTOR LEADS
DATE	REV	BY	CHKD	APPD	DESCRIPTION
108-2100	1	108-2100	1	108-2100	1X1 MAG45(TM) MODULAR JACK, 4N2P1 SCHEMATIC, 326P1 CIRCUIT, SHIELDED, DISCOUPLING CAPACITOR, WITH RESISTOR LEADS
DATE	REV	BY	CHKD	APPD	DESCRIPTION
108-2100	1	108-2100	1	108-2100	1X1 MAG45(TM) MODULAR JACK, 4N2P1 SCHEMATIC, 326P1 CIRCUIT, SHIELDED, DISCOUPLING CAPACITOR, WITH RESISTOR LEADS
DATE	REV	BY	CHKD	APPD	DESCRIPTION
108-2100	1	108-2100	1	108-2100	1X1 MAG45(TM) MODULAR JACK, 4N2P1 SCHEMATIC, 326P1 CIRCUIT, SHIELDED, DISCOUPLING CAPACITOR, WITH RESISTOR LEADS
DATE	REV	BY	CHKD	APPD	DESCRIPTION
108-2100	1	108-2100	1	108-2100	1X1 MAG45(TM) MODULAR JACK, 4N2P1 SCHEMATIC, 326P1 CIRCUIT, SHIELDED, DISCOUPLING CAPACITOR, WITH RESISTOR LEADS
DATE	REV	BY	CHKD	APPD	DESCRIPTION
108-2100	1	108-2100	1	108-2100	1X1 MAG45(TM) MODULAR JACK, 4N2P1 SCHEMATIC, 326P1 CIRCUIT, SHIELDED, DISCOUPLING CAPACITOR, WITH RESISTOR LEADS
DATE	REV	BY	CHKD	APPD	DESCRIPTION
108-2100	1	108-2100	1	108-2100	1X1 MAG45(TM) MODULAR JACK, 4N2P1 SCHEMATIC, 326P1 CIRCUIT, SHIELDED, DISCOUPLING CAPACITOR, WITH RESISTOR LEADS
DATE	REV	BY	CHKD	APPD	DESCRIPTION
108-2100	1	108-2100	1	108-2100	1X1 MAG45(TM) MODULAR JACK, 4N2P1 SCHEMATIC, 326P1 CIRCUIT, SHIELDED, DISCOUPLING CAPACITOR, WITH RESISTOR LEADS
DATE	REV	BY	CHKD	APPD	DESCRIPTION
108-2100	1	108-2100	1	108-2100	1X1 MAG45(TM) MODULAR JACK, 4N2P1 SCHEMATIC, 326P1 CIRCUIT, SHIELDED, DISCOUPLING CAPACITOR, WITH RESISTOR LEADS
DATE	REV	BY	CHKD	APPD	DESCRIPTION
108-2100	1	108-2100	1	108-2100	1X1 MAG45(TM) MODULAR JACK, 4N2P1 SCHEMATIC, 326P1 CIRCUIT, SHIELDED, DISCOUPLING CAPACITOR, WITH RESISTOR LEADS
DATE	REV	BY	CHKD	APPD	DESCRIPTION
108-2100	1	108-2100	1	108-2100	1X1 MAG45(TM) MODULAR JACK, 4N2P1 SCHEMATIC, 326P1 CIRCUIT, SHIELDED, DISCOUPLING CAPACITOR, WITH RESISTOR LEADS
DATE	REV	BY	CHKD	APPD	DESCRIPTION
108-2100	1	108-2100	1	108-2100	1X1 MAG45(TM) MODULAR JACK, 4N2P1 SCHEMATIC, 326P1 CIRCUIT, SHIELDED, DISCOUPLING CAPACITOR, WITH RESISTOR LEADS
DATE	REV	BY	CHKD	APPD	DESCRIPTION
108-2100	1	108-2100	1	108-2100	1X1 MAG45(TM) MODULAR JACK, 4N2P1 SCHEMATIC, 326P1 CIRCUIT, SHIELDED, DISCOUPLING CAPACITOR, WITH RESISTOR LEADS
DATE	REV	BY	CHKD	APPD	DESCRIPTION
108-2100	1	108-2100	1	108-2100	1X1 MAG45(TM) MODULAR JACK, 4N2P1 SCHEMATIC, 326P1 CIRCUIT, SHIELDED, DISCOUPLING CAPACITOR, WITH RESISTOR LEADS
DATE	REV	BY	CHKD	APPD	DESCRIPTION
108-2100	1	108-2100	1	108-2100	1X1 MAG45(TM) MODULAR JACK, 4N2P1 SCHEMATIC, 326P1 CIRCUIT, SHIELDED, DISCOUPLING CAPACITOR, WITH RESISTOR LEADS
DATE	REV	BY	CHKD	APPD	DESCRIPTION
108-2100	1	108-2100	1	108-2100	1X1 MAG45(TM) MODULAR JACK, 4N2P1 SCHEMATIC, 326P1 CIRCUIT, SHIELDED, DISCOUPLING CAPACITOR, WITH RESISTOR LEADS
DATE	REV	BY	CHKD	APPD	DESCRIPTION
108-2100	1	108-2100	1	108-2100	1X1 MAG45(TM) MODULAR JACK, 4N2P1 SCHEMATIC, 326P1 CIRCUIT, SHIELDED, DISCOUPLING CAPACITOR, WITH RESISTOR LEADS
DATE	REV	BY	CHKD	APPD	DESCRIPTION
108-2100	1	108-2100	1	108-2100	1X1 MAG45(TM) MODULAR JACK, 4N2P1 SCHEMATIC, 326P1 CIRCUIT, SHIELDED, DISCOUPLING CAPACITOR, WITH RESISTOR LEADS
DATE	REV	BY	CHKD	APPD	DESCRIPTION
108-2100	1	108-2100	1	108-2100	1X1 MAG45(TM) MODULAR JACK, 4N2P1 SCHEMATIC, 326P1 CIRCUIT, SHIELDED, DISCOUPLING CAPACITOR, WITH RESISTOR LEADS
DATE	REV	BY	CHKD	APPD	DESCRIPTION
108-2100	1	108-2100	1	108-2100	1X1 MAG45(TM) MODULAR JACK, 4N2P1 SCHEMATIC, 326P1 CIRCUIT, SHIELDED, DISCOUPLING CAPACITOR, WITH RESISTOR LEADS
DATE	REV	BY	CHKD	APPD	DESCRIPTION
108-2100	1	108-2100	1	108-2100	1X1 MAG45(TM) MODULAR JACK, 4N2P1 SCHEMATIC, 326P1 CIRCUIT, SHIELDED, DISCOUPLING CAPACITOR, WITH RESISTOR LEADS
DATE	REV	BY	CHKD	APPD	DESCRIPTION
108-2100	1	108-2100	1	108-2100	1X1 MAG45(TM) MODULAR JACK, 4N2P1 SCHEMATIC, 326P1 CIRCUIT, SHIELDED, DISCOUPLING CAPACITOR, WITH RESISTOR LEADS
DATE	REV	BY	CHKD	APPD	DESCRIPTION
108-2100	1	108-2100	1	108-2100	1X1 MAG45(TM) MODULAR JACK, 4N2P1 SCHEMATIC, 326P1 CIRCUIT, SHIELDED, DISCOUPLING CAPACITOR, WITH RESISTOR LEADS
DATE	REV	BY	CHKD	APPD	DESCRIPTION
108-2100	1	108-2100	1	108-2100	1X1 MAG45(TM) MODULAR JACK, 4N2P1 SCHEMATIC, 326P1 CIRCUIT, SHIELDED, DISCOUPLING CAPACITOR, WITH RESISTOR LEADS
DATE	REV	BY	CHKD	APPD	DESCRIPTION
108-2100	1	108-2100	1	108-2100	1X1 MAG45(TM) MODULAR JACK, 4N2P1 SCHEMATIC, 326P1 CIRCUIT, SHIELDED, DISCOUPLING CAPACITOR, WITH RESISTOR LEADS
DATE	REV	BY	CHKD	APPD	DESCRIPTION
108-2100	1	108-2100	1	108-2100	1X1 MAG45(TM) MODULAR JACK, 4N2P1 SCHEMATIC, 326P1 CIRCUIT, SHIELDED, DISCOUPLING CAPACITOR, WITH RESISTOR LEADS
DATE	REV	BY	CHKD	APPD	DESCRIPTION
108-2100	1	108-2100	1	108-2100	1X1 MAG45(TM) MODULAR JACK, 4N2P1 SCHEMATIC, 326P1 CIRCUIT, SHIELDED, DISCOUPLING CAPACITOR, WITH RESISTOR LEADS
DATE	REV	BY	CHKD	APPD	DESCRIPTION
108-2100	1	108-2100	1	108-2100	1X1 MAG45(TM) MODULAR JACK, 4N2P1 SCHEMATIC, 326P1 CIRCUIT, SHIELDED, DISCOUPLING CAPACITOR, WITH RESISTOR LEADS
DATE	REV	BY	CHKD	APPD	DESCRIPTION
108-2100	1	108-2100	1	108-2100	1X1 MAG45(TM) MODULAR JACK, 4N2P1 SCHEMATIC, 326P1 CIRCUIT, SHIELDED, DISCOUPLING CAPACITOR, WITH RESISTOR LEADS
DATE	REV	BY	CHKD	APPD	DESCRIPTION
108-2100	1	108-2100	1	108-2100	1X1 MAG45(TM) MODULAR JACK, 4N2P1 SCHEMATIC, 326P1 CIRCUIT, SHIELDED, DISCOUPLING CAPACITOR, WITH RESISTOR LEADS
DATE	REV	BY	CHKD	APPD	DESCRIPTION
108-2100	1	108-2100	1	108-2100	1X1 MAG45(TM) MODULAR JACK, 4N2P1 SCHEMATIC, 326P1 CIRCUIT, SHIELDED, DISCOUPLING CAPACITOR, WITH RESISTOR LEADS
DATE	REV	BY	CHKD	APPD	DESCRIPTION
108-2100	1	108-2100	1	108-2100	1X1 MAG45(TM) MODULAR JACK, 4N2P1 SCHEMATIC, 326P1 CIRCUIT, SHIELDED, DISCOUPLING CAPACITOR, WITH RESISTOR LEADS
DATE	REV	BY	CHKD	APPD	DESCRIPTION
108-2100	1	108-2100	1	108-2100	1X1 MAG45(TM) MODULAR JACK, 4N2P1 SCHEMATIC, 326P1 CIRCUIT, SHIELDED, DISCOUPLING CAPACITOR, WITH RESISTOR LEADS
DATE	REV	BY	CHKD	APPD	DESCRIPTION
108-2100	1	108-2100	1	108-2100	1X1 MAG45(TM) MODULAR JACK, 4N2P1 SCHEMATIC, 326P1 CIRCUIT, SHIELDED, DISCOUPLING CAPACITOR, WITH RESISTOR LEADS
DATE	REV	BY	CHKD	APPD	DESCRIPTION
108-2100	1	108-2100	1	108-2100	1X1 MAG45(TM) MODULAR JACK, 4N2P1 SCHEMATIC, 326P1 CIRCUIT, SHIELDED, DISCOUPLING CAPACITOR, WITH RESISTOR LEADS
DATE	REV	BY	CHKD	APPD	DESCRIPTION
108-2100	1	108-2100	1	108-2100	1X1 MAG45(TM) MODULAR JACK, 4N2P1 SCHEMATIC,