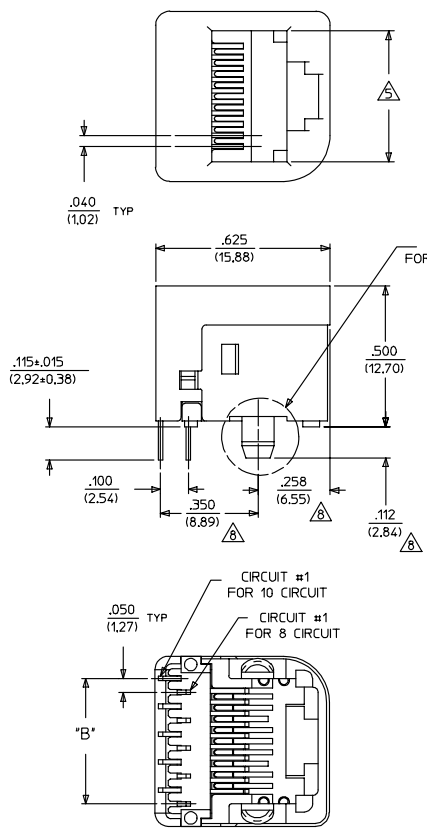
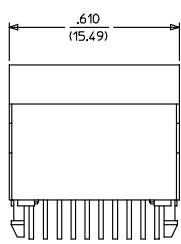


13 12 11 10 9 8 7 6 5 4 3 2 43090

J  
I  
H  
G  
F  
E  
D  
C  
B  
A



"X" - NOT TOOLED	MATERIAL NUMBER	CONNECTOR SIZE	NUMBER OF CIRCUITS	RETENTION PEG OPTION	DIM. "B"
	43090-0003	8	8	NO	.350/(8.89)
X	43090-0004	8	8	YES	.350/(8.89)
	43090-0005	8	10	NO	.450/(11.43)
X	43090-0006	8	10	YES	.450/(11.43)

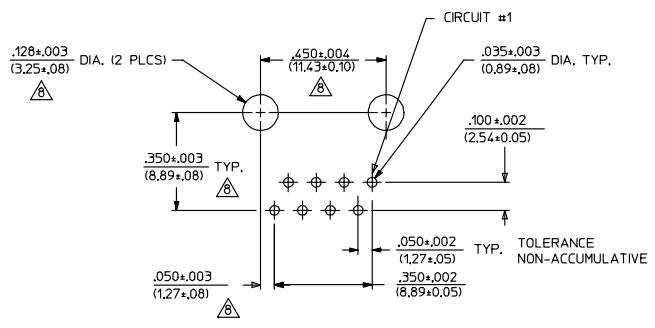


- NOTES:
- 1) MATERIALS :  
HOUSING - POLYESTER, GLASS-FILLED, UL94V-0, COLOR - BLACK  
TERMINALS - .015/(0.38) THICK PHOSPHOR BRONZE
  - 2) FINISH :  
SELECT GOLD IN CONTACT AREA: 50 MICROINCHES MIN.  
\*SELECT TIN IN PC TAIL AREA: 100 MICROINCHES MIN.  
WITH OVERALL NICKEL UNDERPLATE: 50 MICROINCHES MIN.  
\*THE PRIMARY SHIPPING CARTON WILL BE LABELED "COMPLIANT TO RoHS DIRECTIVE 2002/95/EC AND ELV ANNEX II OF DIRECTIVE 2000/53/EC. CARTONS WITHOUT THIS LABEL MAY CONTAINS TIN-LEAD IN THE PC TAIL.
  - 3) PRODUCT SPECIFICATION : PS-42878
  - 4) CONNECTORS ARE SHIPPED IN THERMOFORMED TRAYS, PER PACKAGING SPECIFICATION PK-42878-492.
  - 5) THIS MODULAR JACK CAVITY CONFORMS TO, AND ACCEPT PLUGS WHICH CONFORM TO, F.C.C. RULES AND REGULATIONS PART 68.5, SUBPART "F".
  - 6) THIS MODULAR JACK IS DESIGNED FOR USE WITH .047/(1.19) THICK P.C. BOARDS.
  - 7) THIS MODULAR JACK MUST BE CAPABLE OF FITTING INTO MOLEX GAGE G-42410.
  - 8) THESE DIMENSIONS APPLY WHEN RETENTION PEG OPTION IS PRESENT.

ADD "NOT TOOLED" DEC NO. UCP2005-2408 DRAWN:LSCHMIDT 2005/05/12 CHKD:ELHAG 2005/05/12 APPR:FSMITH 2005/05/12	QUALITY SYMBOLS 0 0	GENERAL TOLERANCES (UNLESS SPECIFIED)		SCALE 4:1	DESIGN UNITS INCH	THIRD ANGLE PROJECTION	REVISE ON CAD ONLY
		mm	INCH	DIMENSION STYLE IN/MM		TITLE	
REV 1	DESCRIPTION	4 PLACES ±---	±---	DRAWN BY	DATE	LOW PROFILE, 8/8 & 8/10 VERTICAL MODJACK W/ .165/(4.20) RADIUS-ASSY	
		3 PLACES ±---	±.010	MUELLER	1998/08/10	MOLEX INCORPORATED	
		2 PLACES ±0.25	±.015	CHECKED BY	DATE	MATERIAL NO. DOCUMENT NO. SHEET NO.	
		1 PLACE ±0.38	±---	ROBERTS	1998/08/11	SEE CHART SDA-43090-**** 1 OF 2	
DRAFT WHERE APPLICABLE		APPROVED BY		DATE	THIS DRAWING CONTAINS INFORMATION THAT IS PROPRIETARY TO MOLEX INCORPORATED AND SHOULD NOT BE USED WITHOUT WRITTEN PERMISSION		
MUST REMAIN WITHIN DIMENSIONS		R EDGLEY		1998/08/11			

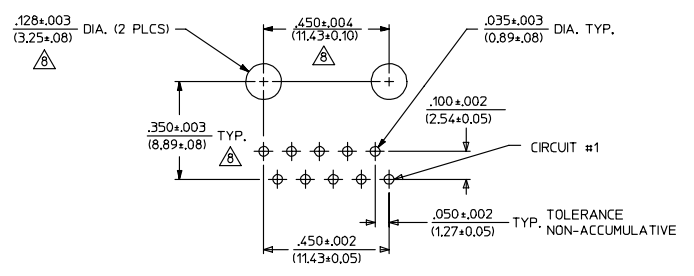
tb\_frame\_C\_P\_ME\_T  
Rev. C 2002/05/05

12 11 10 9 8 7 6 5 4 3 2 1



RECOMMENDED P.C. BOARD LAYOUT

8 POSITION MODULAR JACK BODY LOADED WITH 8 TERMINALS IS SHOWN ABOVE



RECOMMENDED P.C. BOARD LAYOUT

8 POSITION MODULAR JACK BODY LOADED WITH 10 TERMINALS IS SHOWN ABOVE

SEE SHEET ONE EC NO. UCP2004-1617 DRAWN:LSCHMIDT 2004/03/03 CHKD:LSCHMIDT 2004/03/03 APPR:FSMITH 2004/03/03	QUALITY SYMBOLS	GENERAL TOLERANCES (UNLESS SPECIFIED)		SCALE 4:1	DESIGN UNITS INCH	THIRD ANGLE PROJECTION	REVISE ON CAD ONLY
	▽.0	mm	INCH	DIMENSION STYLE IN/MM		TITLE	
	▽.0	4 PLACES ± --- ± ---	3 PLACES ± --- ± .010	DRAWN BY MUELLER	DATE 1998/08/10	LOW PROFILE, 8/8 & 8/10 VERTICAL MODJACK W/ .165/(.4.20) RADIUS-ASSY	
	▽.0	2 PLACES ± 0.25 ± .015	1 PLACE ± 0.38 ± ---	CHECKED BY ROBERTS	DATE 1998/08/11	MOLEX INCORPORATED	
REV	DESCRIPTION	DRAFT WHERE APPLICABLE MUST REMAIN WITHIN DIMENSIONS		APPROVED BY R EDGLEY	DATE 1998/08/11	MATERIAL NO. SEE CHART	DOCUMENT NO. SDA-43090-****
				THIS DRAWING CONTAINS INFORMATION THAT IS PROPRIETARY TO MOLEX INCORPORATED AND SHOULD NOT BE USED WITHOUT WRITTEN PERMISSION		SHEET NO. 2 OF 2	