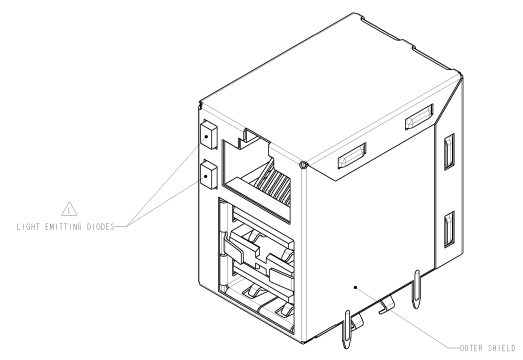
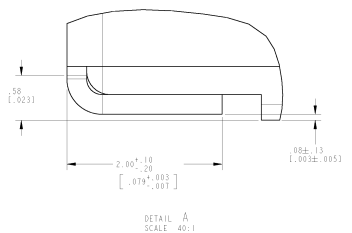
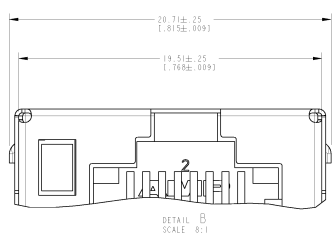
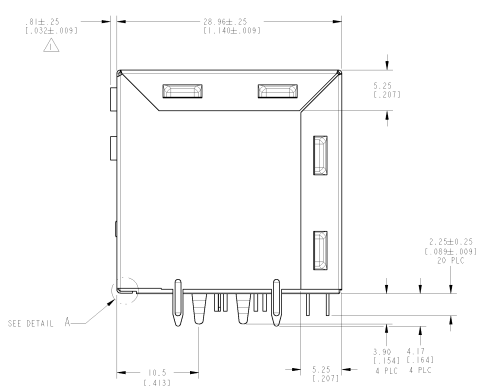
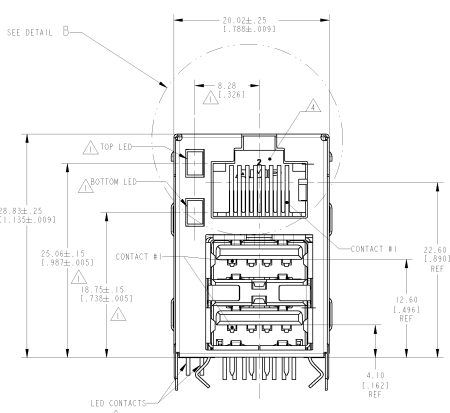


REV	DATE	REVISIONS	BY	CHKD	APPD
AA	22				
C		ADDED 4 PER EC 0515-0010-02			



P/N 1116151-2 & 1116151-4 WITH LEADS

GREEN	GREEN	BLACK	1116151-4
NO LED	NO LED	TURQUOISE	1116151-3
YELLOW	GREEN	BLACK	1116151-2
NO LED	NO LED	BLACK	1116151-1

BOTTOM LED TOP LED HOUSING COLOR PART NUMBER

MATERIAL: PLASTIC HOUSINGS: UL94V-0/95 THERMOPLASTIC. SEE TABLE FOR COLOR. TERMINAL: USB: 0.251±0.013 THICK PHOSPHOR BRONZE PLATED WITH 1.27µm NICKEL. IN LOCALIZED GOLD PLATE AREA 0.075µm MIN GOLD OVER 0.70µm MIN PALLADIUM-NICKEL IS ADDED OVER NICKEL UNDERPLATE. IN SOLDER AREA 3.8µm MIN 93/7X BRIGHT TIN-LEAD IS ADDED OVER NICKEL UNDERPLATE. RJ45: 0.318 THICK PHOSPHOR BRONZE PLATED WITH 1.27µm MIN THICK NICKEL. IN LOCALIZED GOLD PLATE AREA 1.27µm MIN THICK GOLD IS ADDED OVER NICKEL UNDERPLATE. IN SOLDER AREA 3.8µm MIN 93/7X TIN-LEAD IS ADDED OVER NICKEL UNDERPLATE. LED: 0.5 DIAMETER CARBON STEEL LEADS PREPLATED WITH 2.26µm TO 2.54µm OF SILVER OVER 1.01µm NICKEL OVER 2.02µm OF COPPER. SHIELD: OUTER: 0.254 THICK COPPER-TIN ALLOY PREPLATED WITH BRIGHT 93/7X TIN-LEAD ALLOY 2µm TO 3.2µm THICK. INNER: 0.318 THICK COPPER-TIN ALLOY PREPLATED WITH BRIGHT 93/7X TIN-LEAD ALLOY 2µm TO 3.2µm THICK. USB: 0.318 THICK PHOSPHOR-BRONZE PREPLATED WITH 5.1µm MIN TIN.		AMP TRIP ELECTRONICS HARRISBURG, PA 17105-1600
ASSEMBLY: RJ-45 MODULAR JACK OVER STACKED USB RECEPTACLE, WITH LEADS AND WITHOUT LEADS.		TITLE: CUSTOMER DRAWING PART NO: 1116151

