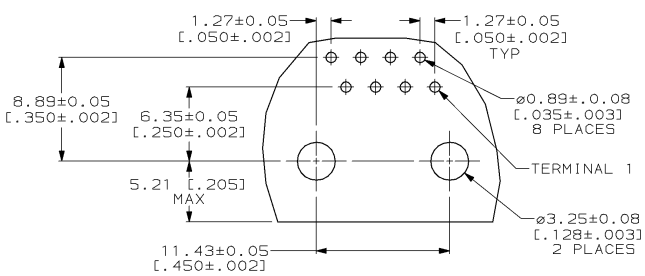
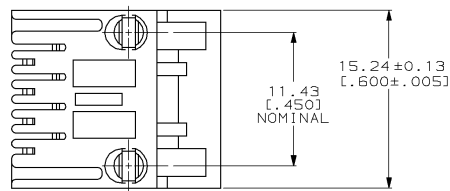
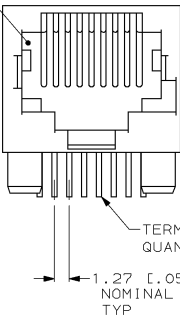
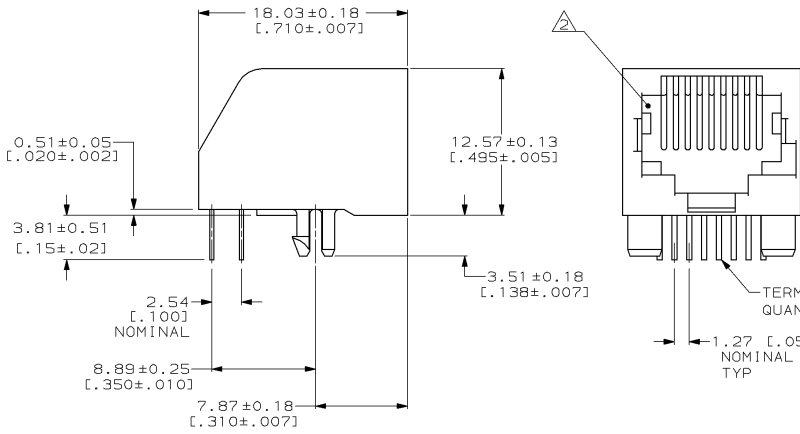


DRAWING MADE IN THIRD ANGLE PROJECTION
 THIS DRAWING IS UNPUBLISHED. RELEASED FOR PUBLICATION
 © COPYRIGHT 19 BY AMP INCORPORATED. ALL INTERNATIONAL RIGHTS RESERVED.

LOC	DIST	P	F	ZONE	LTR	REVISIONS	DATE	APPD
AA	22				B	REV, EC 0210-0520-96	05NOV96	D5 KM



SUGGESTED PRINTED CIRCUIT BOARD
 MOUNTING HOLE LAYOUT
 LAYOUT SHOWN FROM CIRCUIT SIDE OF BOARD

THIS DRAWING IS A CONTROLLED DOCUMENT FOR AMP INCORPORATED. IT IS SUBJECT TO CHANGE AND THE CONTROLLING ENGINEERING ORGANIZATION SHOULD BE CONTACTED FOR THE LATEST REVISION.

- △ MATERIAL: HOUSING - HTN MOLDING COMPOUND, 94 V0, BLACK, IR COMPATIBLE. TERMINAL - PH05 BRONZE PLATED WITH 1.27μm [0.000050] MINIMUM THICK HARD GOLD IN LOCALIZED GOLD PLATE AREA AND 3.81μm [0.000150] MINIMUM THICK TIN-LEAD IN SOLDER AREA OVER 1.27μm [0.000050] MINIMUM THICK NICKEL UNDERPLATE.
- △ CAVITY CONFORMS TO FCC RULES AND REGULATIONS PART 68, SUBPART F.
- 3. BULK PACKAGED IN A TRAY.
- △ THIS ASSEMBLY IS SURFACE MOUNTING COMPATIBLE.

△ 569118-1
 PART NO

DO NOT SCALE PRINT. UNLESS SPECIFIED DIMENSIONS IN mm [INCHES] TOLERANCES ON: 2 PLC DEC ± - 3 PLC DEC ± - ANGLES ± -	DR 1-19-95 D.L. DRUMMOND CHK 1-23-95 C. WHITT APPD 1-30-95 J. TONEY	AMP Incorporated Harrisburg, PA 17105-3608	
MATERIAL △	APPD 1-30-95 H. McGRATH PRODUCT SPEC 1089-1163	NAME MODULAR JACK ASSEMBLY, 8 POSITION, LOW PROFILE, RIGHT ANGLE, KEYED, WITHOUT PANEL STOPS	
FINISH △	APPLICATION SPEC 114-2048	SIZE C	CAGE CODE 00779
WEIGHT -		DRAWING NO C-569118	SHEET 1 OF 1

CUSTOMER DRAWING

569118