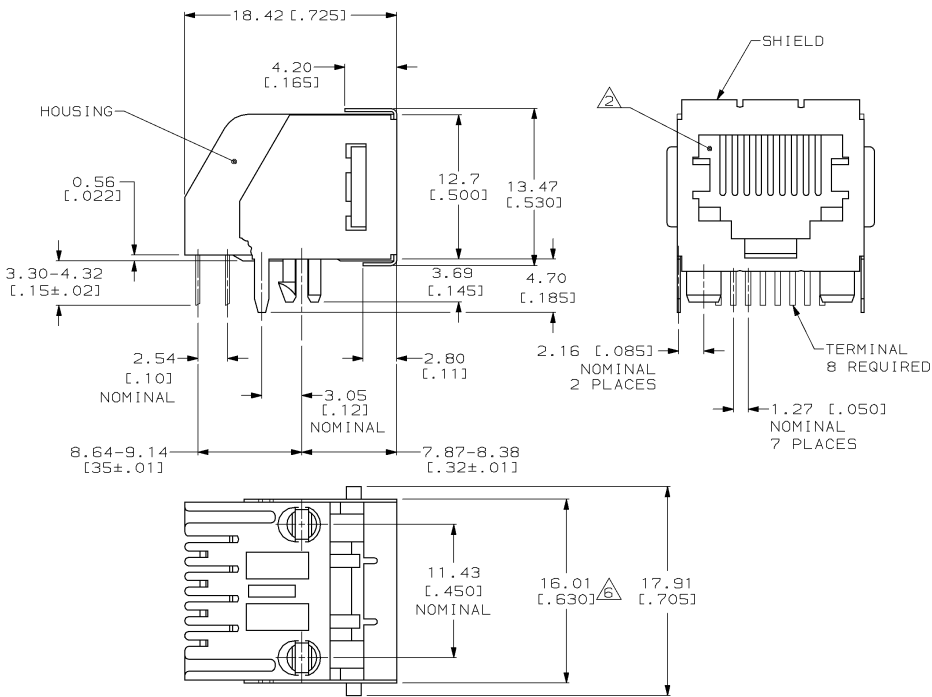
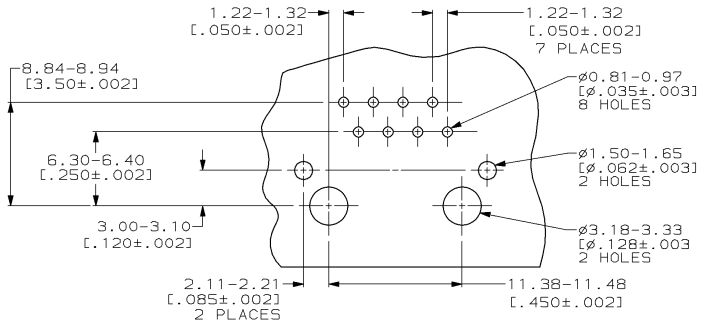


THIS DRAWING IS UNPUBLISHED. RELEASED FOR PUBLICATION, 19
 © COPYRIGHT 19 BY AMP INCORPORATED. ALL INTERNATIONAL RIGHTS RESERVED.

LOC	DIST	P	F	ZONE	LTR	REVISIONS	DATE	APPD
AA	22				A	REV; EC 0210-0442-95	11-9-95	DB



- ⚠ MATERIAL: HOUSING - PBT POLYESTER, BLACK. TERMINAL - 0.35 [.0138] THICK PHOS-BRONZE PLATED WITH 1.27μm [.000050] THICK HARD GOLD IN LOCALIZED GOLD PLATE AREA AND 2.03μm [.000080] MINIMUM THICK TIN LEAD IN SOLDER AREA OVER 1.27μm [.000050] MINIMUM THICK NICKEL UNDERPLATE. SHIELD - 0.25 [.010] THICK COPPER ALLOY, TIN-LEAD PLATE.
- ⚠ CAVITY CONFORMS TO FCC RULES AND REGULATIONS PART 68, SUBPART F.
- 3. FOR APPLICATION INFORMATION SEE AMP SPECIFICATION 114-2048.
- 4. FOR PERFORMANCE REQUIREMENTS SEE AMP SPECIFICATION 108-1163.
- ⚠ ALL DIMENSIONS ARE MAXIMUM UNLESS OTHERWISE SPECIFIED.
- ⚠ DIMENSION APPLIES TO AREA IN FRONT OF PANEL STOPS ONLY.



THIS DRAWING IS A CONTROLLED DOCUMENT FOR AMP INCORPORATED. IT IS SUBJECT TO CHANGE AND THE CONTROLLING ENGINEERING ORGANIZATION SHOULD BE CONTACTED FOR THE LATEST REVISION.

DO NOT SCALE PRINT. UNLESS SPECIFIED DIMENSIONS IN mm [INCHES] TOLERANCES ON: 2 PLC DEC ± 3 PLC DEC ± ANGLES ±		DR 2-11-94 D. STRAUSSER		558250-1 PART NO	
MATERIAL		CHK 2-22-94 C. WHITT		AMP AMP Incorporated Harrisburg, PA 17105-3608	
FINISH		APPD 2-28-94 J. TONEY		NAME MODULAR JACK ASSEMBLY, SHIELDED, 8 POSITION LOW PROFILE, RIGHT ANGLE, PCB GROUND	
APPLICATION SPEC		APPD 2-28-94 H. McGRATH		SIZE CAGE CODE DRAWING NO	
WEIGHT		-		C 00779 C-558250	
SCALE 4:1		SHEET 1 OF 1		CUSTOMER DRAWING	