

4

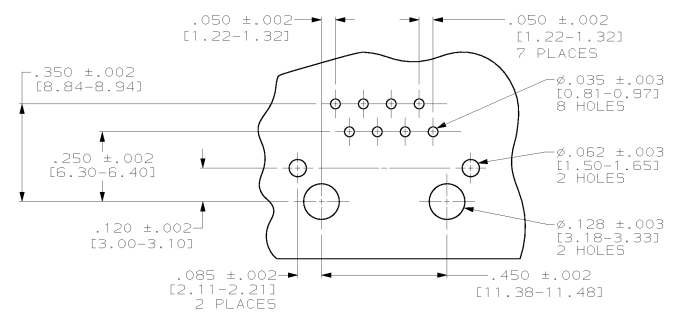
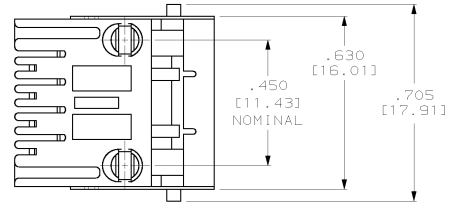
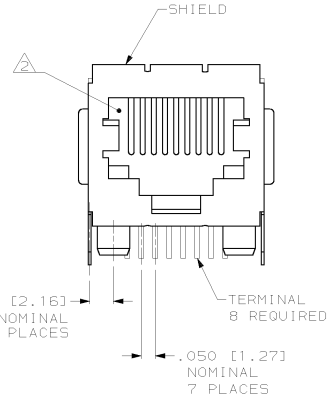
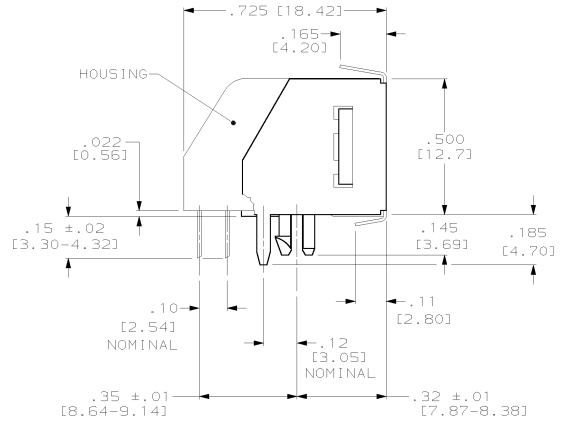
3

2

1

THIS DRAWING IS UNPUBLISHED. RELEASED FOR PUBLICATION
 © COPYRIGHT 19 BY AMP INCORPORATED. ALL RIGHTS RESERVED.

LOC	QTY	REV	DESCRIPTION	DATE	BY	APP
AA	22	F	LTR			
		A	REVISED PER EC 0210-0442-95	08NOV95	DS	JT



SUGGESTED PRINTED CIRCUIT BOARD
 MOUNTING HOLE LAYOUT
 VIEW SHOWN AS CIRCUIT SIDE OF BOARD

- △ MATERIAL: HOUSING - PBT POLYESTER, BLACK.
 TERMINAL - .0138 [0.35] THICK PHOS-BRONZE PLATED WITH .000050 [1.27µm] THICK HARD GOLD IN LOCALIZED GOLD PLATE AREA AND .000080 [2.03µm] MINIMUM THICK TIN-LEAD IN SOLDER AREA OVER .000050 [1.27µm] MINIMUM THICK NICKEL UNDERPLATE.
 SHIELD - .010 [0.25] THICK COPPER ALLOY, TIN-LEAD PLATED.
- △ CAVITY CONFORMS TO FCC RULES AND REGULATIONS PART 68, SUBPART F.
- 3. FOR APPLICATION INFORMATION SEE AMP SPEC 114-2048.
- 4. FOR PERFORMANCE REQUIREMENTS SEE AMP SPEC 108-1163.
- △ ALL DIMENSIONS ARE MAXIMUM UNLESS OTHERWISE SPECIFIED.
- 6. DIMENSIONS IN BRACKETS [] ARE IN MILLIMETERS.

556926-1
 PART NUMBER

THIS DRAWING IS A CONTROLLED DOCUMENT.		DR D. STRAUSSER 30 JAN 91	AMP AMP Incorporated Harrisburg, PA 17105-3608	NAME MODULAR JACK ASSEMBLY, SHIELDED, 8 POSITION, LOW PROFILE, RIGHT ANGLE, WITH PANEL GROUNDS	REVISED TO
DIMENSIONS INCHES (mm)		CHK S. FOX 04 APR 91			
UNDESIGNED CHANGES DIMENSIONS SUPPLIED		APP S. FOX 04 APR 91	PRODUCT SPEC	SIZE CASE CODE DRAWING NO.	A200779 C-556926
MATERIAL		FINISH	APPLICATION SPEC	SCALE	
PAPER		FINISH	REWORK	CUSTOMER DRAWING	SCALE 4:1 SHEET 1 OF 1 REV A

556926