

4

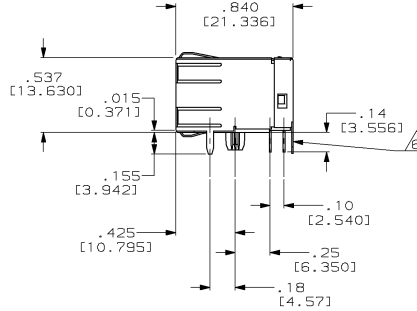
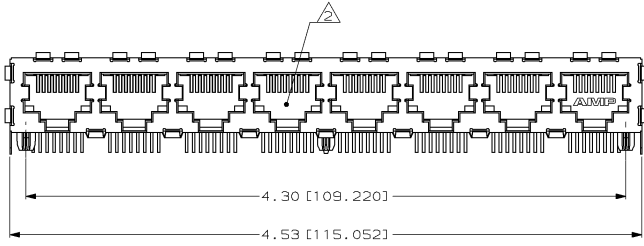
3

2

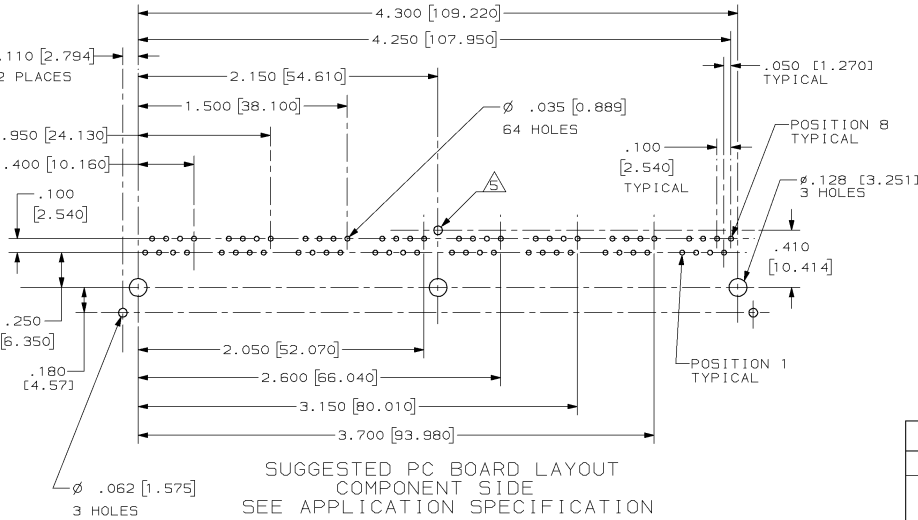
1

THIS DRAWING IS UNPUBLISHED.
 RELEASED FOR PUBLICATION
 BY AMP INCORPORATED. ALL RIGHTS RESERVED.

LOC	QTY	REV	DESCRIPTION	DATE	BY	APP'D
AA	22	F	LWR			
		A	REV, EC 0502-0734-97	24NOV97	DS	DW



- △ MATERIAL:
HOUSING - NYLON, BLACK, UL94V-0.
OVERMOLDED TERMINAL ARRAY - PBT, BROWN.
TERMINALS-.013 [0.33] THICK PH05 BRONZE
PLATED WITH .000050 [1.27μm] THICK HARD
GOLD IN LOCALIZED AREA AND .000150 [3.81μm]
THICK TIN-LEAD IN SOLDER AREA OVER .000050
[1.27μm] THICK NICKEL UNDERPLATE.
SHIELD-.010 [0.254] THICK COPPER ALLOY
PLATED WITH .000080 [2.03μm] MINIMUM
TIN-LEAD OVER .000100 [2.54μm] MINIMUM
COPPER.
- △ JACK CAVITY CONFORMS TO FCC RULES AND
REGULATIONS, PART 68 SUBPART F.
- 3. ALL DIMENSIONS SHOWN ARE NOMINAL UNLESS
OTHERWISE SPECIFIED.
- 4. ALL DIMENSIONS SHOWN IN BRACKETS [] ARE
IN MILLIMETERS.
- △ THIS HOLE IS NEEDED FOR -1 ONLY.
- △ THIS TAB REMOVED ON -2.



WITHOUT REAR PC BOARD GROUND TAB	406491-2
WITH REAR PC BOARD GROUND TAB	406491-1
DESCRIPTION	PART NO.

THE DIMENSIONS SHOWN ARE NOMINAL UNLESS OTHERWISE SPECIFIED. DIMENSIONS IN MILLIMETERS ARE SHOWN IN BRACKETS.		DIM: V_SLACK 134492 C/P: FOX 104492 P/P: 154492	AMP Incorporated Harrisburg, PA 17105-3608
DIMENSIONS: INCHES (mm)	DIMENSIONS SPECIFIED: 0 PLC ±.010 1 PLC ±.010 (0.254) 2 PLC ±.005 (0.127) 3 PLC ±.005 4 PLC ±.005 ANGLES ±.005	AMP INCORPORATED P/B: BEED PRODUCT SPEC: 108-1392 APPLICATION SPEC: 114-2048 WEIGHT: -	NAME: MODULAR JACK ASSEMBLY, PANEL GROUND, 8 PORT, 8 POSITION, RIGHT ANGLE, SHIELDED, CATEGORY 5 SIZE: A2 CASE CODE: 00779 DRAWING NO: 406491
MATERIAL: △	FINISH: △	CUSTOMER DRAWING	SCALE: 2:1 SHEET 1 OF 1 REV A

AMP 1471-B REV 02KAY84
 24-NOV-97 14:12:43 amp33741 /none/amp33741/edmod

406491

A

A