

4

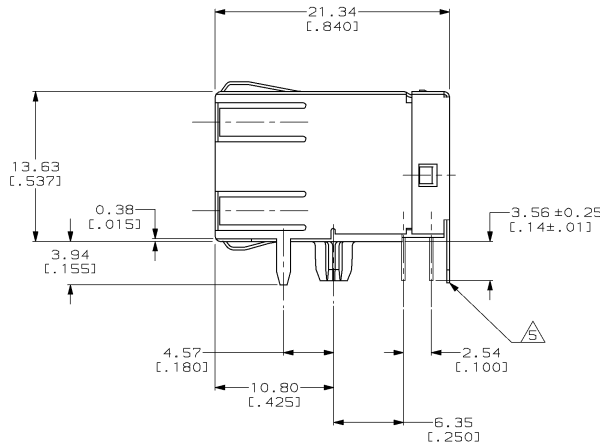
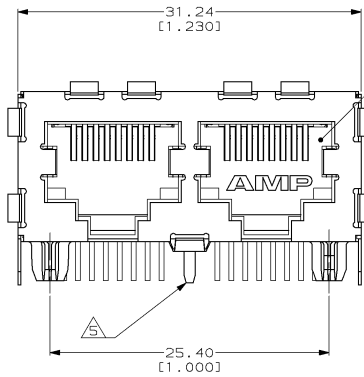
3

2

1

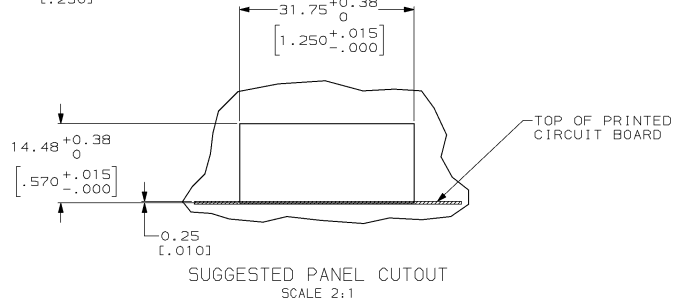
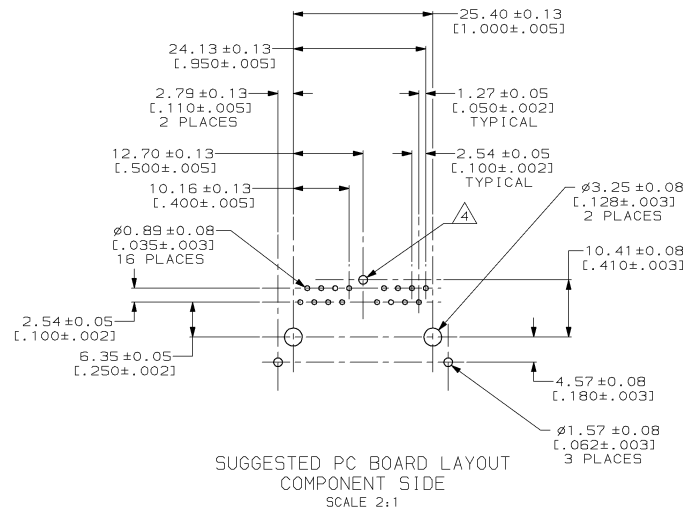
THIS DRAWING IS UNPUBLISHED. RELEASED FOR PUBLICATION  
 © COPYRIGHT 19 BY AMP INCORPORATED. ALL RIGHTS RESERVED.

| LOC | QTY | REV | DESCRIPTION       | DATE    | BY  | APP'D |
|-----|-----|-----|-------------------|---------|-----|-------|
| AA  | 22  | F   | LR                |         |     |       |
|     |     | 0   | RLSD; NPR C97-014 | 24APR97 | OLD | JT    |



1 MATERIAL: HOUSING - HIGH TEMPERATURE NYLON, BLACK, IR COMPATIBLE, UL 94V-0.  
 TERMINALS - 0.33 [0.13] THICK PHOS BRONZE PLATED WITH 1.27µm [0.00050] THICK HARD GOLD IN LOCALIZED AREA AND 3.81µm [0.00150] THICK TIN-LEAD IN SOLDER AREA OVER 1.27µm [0.00050] THICK NICKEL UNDERPLATE.  
 SHIELD - 0.254 [0.010] THICK COPPER ALLOY PLATED WITH 2.03µm [0.00080] MINIMUM TIN-LEAD OVER 2.54µm [0.00100] MINIMUM COPPER.

- 2 JACK CAVITY CONFORMS TO FCC RULES AND REGULATIONS, PART 68 SUBPART F.
- 3. ALL DIMENSIONS SHOWN ARE NOMINAL UNLESS OTHERWISE SPECIFIED.
- 4 THIS HOLE REQUIRED FOR -2 ONLY.
- 5 REAR GROUND TAB NOT REQUIRED FOR -1.



SUGGESTED PANEL CUTOUT  
 SCALE 2:1

|                             |          |
|-----------------------------|----------|
| WITH REAR PCB GROUND TAB    | 406562-2 |
| WITHOUT REAR PCB GROUND TAB | 406562-1 |
| DESCRIPTION                 | PART NO. |

|  |   |   |   |
|--|---|---|---|
| THE DIMENSIONS SHOWN ARE NOMINAL UNLESS OTHERWISE SPECIFIED.<br>DIMENSIONS SHALL BE MEASURED UNLESS OTHERWISE SPECIFIED. |   | DIM: DRUMMOND 244997<br>CHK: DRUMMOND 254997<br>D: DRUMMOND 254997                                      | AMP Incorporated<br>Harrisburg, PA 17105-3608   |
| DIMENSIONS:<br>mm [INCHES]   | DIMENSIONS SPECIFIED:<br>0 PLG ±-<br>1 PLG ±-<br>2 PLG ±-<br>3 PLG ±-<br>4 PLG ±-<br>ANGLES ±-<br>FINISH ±- | NAME: AMP TONE<br>PRODUCT SPEC: 108-1163<br>APPLICATION SPEC: 114-2048<br>WEIGHT: -<br>CUSTOMER DRAWING | AMP<br>MODULAR JACK ASSEMBLY,<br>2 PORT, 8 POSITION,<br>RIGHT ANGLE, SHIELDED, CAT 4<br>SIZE: A2<br>CASE CODE: 00779<br>DRAWING NO: 406562<br>SCALE: 4:1 SHEET: 1 OF 1 REV: 0 |

406562

A