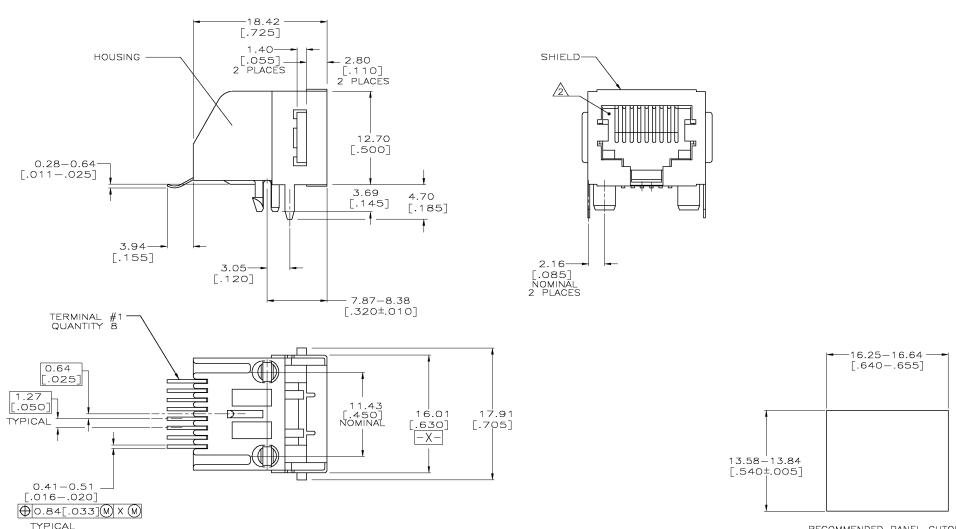


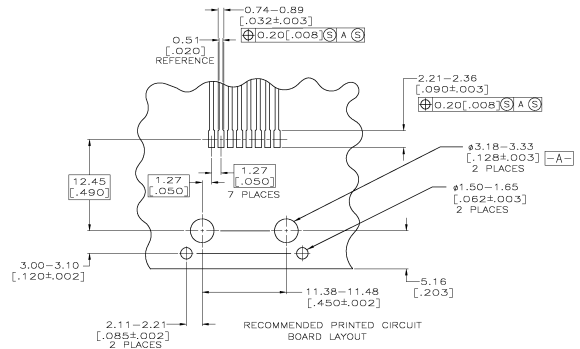
THIS DRAWING IS UNPUBLISHED. RELEASED FOR PUBLICATION BY AMP INCORPORATED. ALL INTERNATIONAL RIGHTS RESERVED.

REV	DATE	DESCRIPTION	BY	APP'D
0				
1				
2				
3				
4				
5				
6				
7				
8				
9				
10				
11				
12				
13				
14				
15				
16				
17				
18				
19				
20				



- △ MATERIAL: HOUSING - HTN MOLDING COMPOUND, 94 VO, BLACK.
- TERMINAL- 0.36 [.014] THICK PHOS-BRONZE PLATE WITH 1.27µm [.000050] THICK HARD GOLD IN LOCALIZED GOLD PLATE AREA AND 3.91µm [.000150] THICK TIN-LEAD IN SOLDER AREA OVER 1.27µm [.000050] THICK NICKEL UNDERPLATE.
- SHIELD- 0.25 [.010] THICK COPPER ALLOY, PLATE WITH 2.03µm [.000080] THICK TIN-LEAD.
- △ CAVITY CONFORMS TO FCC RULES AND REGULATIONS, PART 68, SUBPART F.
- 3. DIMENSIONS ARE MAXIMUM UNLESS OTHERWISE SPECIFIED.
- 4. SNAP-IN RETENTION FEATURE ACCOMMODATES 1.44-1.71 [.062+.005] THICK PRINTED CIRCUIT BOARD.
- △ PACKAGING TAPE AND REEL: (PER EIA 481 SPECIFICATION) TAPE: 44 [1.73] WIDE POCKET DEPTH: 17.65 [.695] POCKET PITCH: 32 [1.26] CLEAR PSA TAPE TRAILER 160 [6.30] MIN LENGTH PLASTIC REEL DIA. 330 [13.0] PIECES PER REEL: 100

RECOMMENDED PANEL CUTOUT



RECOMMENDED PRINTED CIRCUIT BOARD LAYOUT

DO NOT SCALE PRINT. UNLESS SPECIFIED DIMENSIONS IN mm [INCHES] TOLERANCES: DA - P L C DEC # - A P L DEC # - ANGLE # - MATERIAL: FINISH: △		DR 7-18-83 B. SWINSON CHK 1-22-83 C. WHITT APP'D 7-28-83 J. TONEY H. MCDONATH PRODUCED SPEC 108-1163 APPLICATION SPEC 114-6040 WEIGHT -	AMP Incorporated Harrisburg, PA 17105-3608
TAPES & REEL TRAY		558178-2	558178-1
PACKAGING TYPE		PART NO.	
NAME		MODULAR JACK ASSEMBLY, 8 POSITION, RIGHT ANGLE, SURFACE MOUNTING, SHIELDED, LOW PROFILE, PRINTED CIRCUIT BOARD GROUND AND PANEL STOPS	
SIZE		CAGE CODE	DRAWING NO
D 00779		G-558178	
SCALE		4:1	SHEET 10F 1

CUSTOMER DRAWING