

4

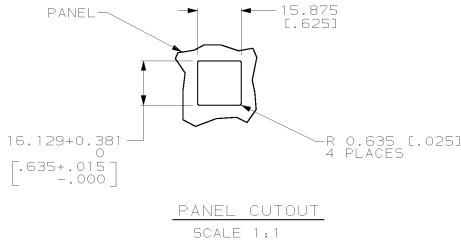
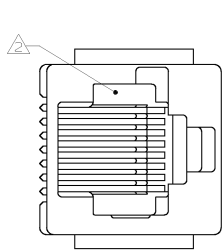
3

2

1

THIS DRAWING IS UNPUBLISHED.
 © COPYRIGHT 19 BY AMP INCORPORATED. ALL RIGHTS RESERVED.

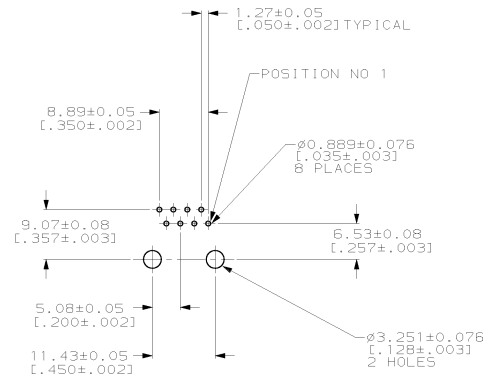
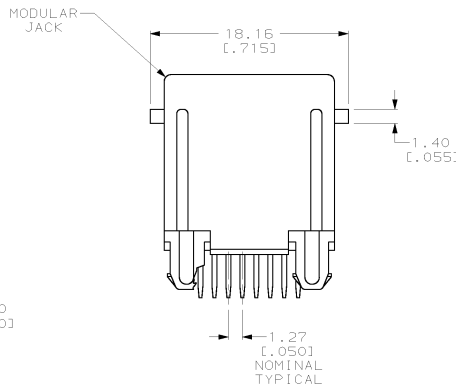
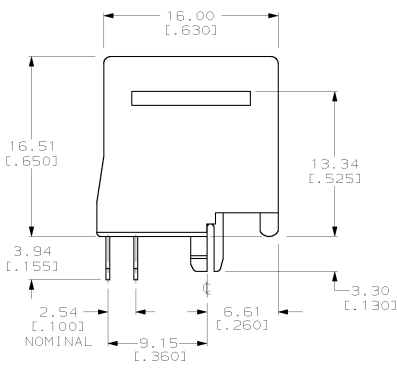
LOC	DIST	REVISIONS			
AA	22	F	LTR	DATE	ENR
		S	REVISED, EC 00F0-0129-01	24SEP01	DLD LLY



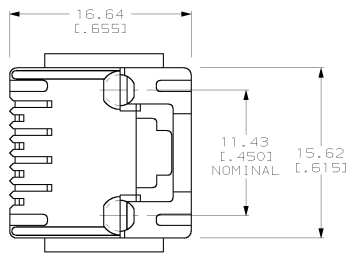
⚠ MATERIAL: HOUSING - PBT POLYESTER, BLACK. TERMINAL - 0.35 [0.0138] THICK PHOS BRONZE PLATED WITH 1.27μm [0.000050] THICK HARD GOLD IN LOCALIZED GOLD PLATE AREA AND 2.03μm [0.000080] THICK TIN-LEAD IN SOLDER AREA OVER 1.27μm [0.000050] THICK NICKEL UNDERPLATE.

⚠ CAVITY CONFORMS TO FCC RULES AND REGULATIONS PART 68 AND REA BULLETIN 345-81, PE-76 SPECIFICATION FOR MODULAR TELEPHONE HARDWARE.

3. ALL DIMENSIONS SHOWN ARE MAXIMUM UNLESS OTHERWISE SPECIFIED.



PRINTED CIRCUIT BOARD LAYOUT
NON-COMPONENT SIDE SHOWN
SCALE 2:1



8	520260-4
CONTACTS	PART NUMBER

THIS DRAWING IS A CONTROLLED DOCUMENT.		DN L MUSTAR/JTA 12/00/99	AMP Incorporated Harrisburg, PA 17105-3608
DRAWN BY: JONES 15/00/99		DATE: 22/00/99	NAME: AMP
CHECKED BY: JONES 22/00/99		DATE: 22/00/99	PRODUCT SPEC: 108-1163
APPROVED BY: JONES 22/00/99		DATE: 22/00/99	APPLICATION SPEC: 114-2048
MATERIAL: PBT POLYESTER, BLACK		REVISION: -	SIZE: CASE CODE DRAWING NO: A200779
FINISH: -		RESTRICTION: -	CUSTOMER DRAWING: -
SCALE: 4:1		SHEET: 1 OF 1	REV: 5

520260