

4

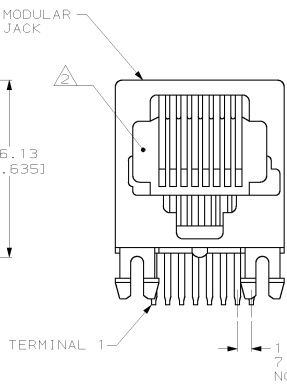
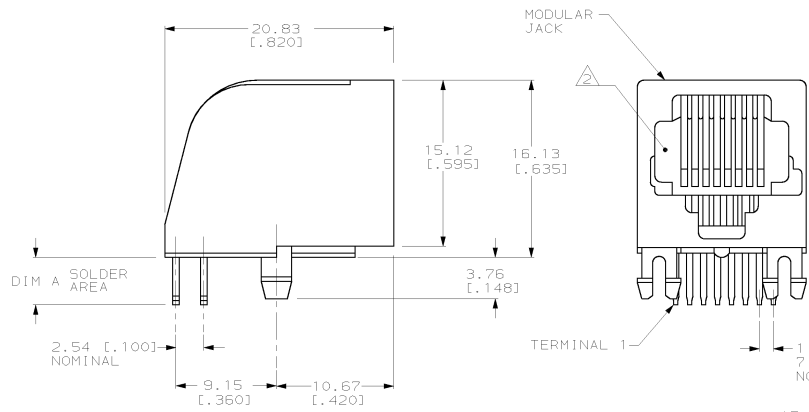
3

2

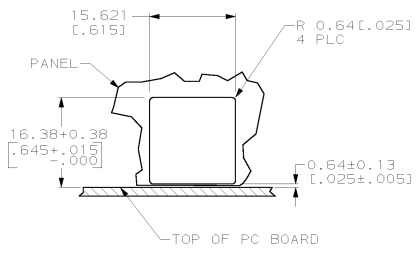
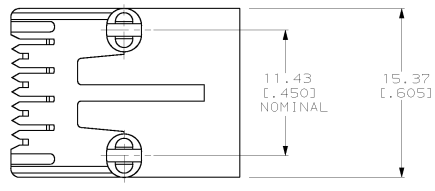
1

THIS DRAWING IS UNPUBLISHED.
 RELEASED FOR PUBLICATION
 BY AMP INCORPORATED. ALL RIGHTS RESERVED.

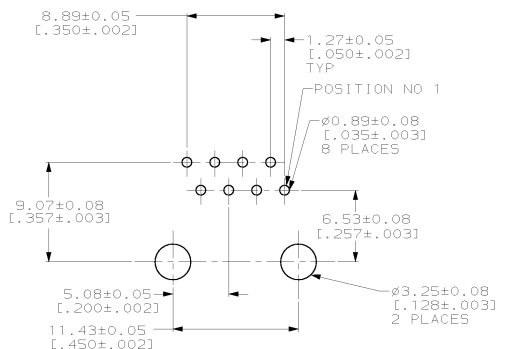
LOC	DIST	REVISIONS					
AA	22	F	LTR	DESCRIPTION	DATE	ENR	APPD
		P		REVISED PER EC 0UF0-0129-01	24SEP01		DLJ/LLV



- ⚠ MATERIAL: HOUSING - PBT POLYESTER. TERMINAL - 0.35 [0.138] THICK PHOS-BRONZE PLATED WITH 1.27μm [0.00050] THICK HARD GOLD IN LOCALIZED GOLD PLATE AREA AND 2.03μm [0.00080] THICK TIN-LEAD IN SOLDER AREA OVER 1.27μm [0.00050] THICK NICKEL UNDERPLATE.
- ⚠ CAVITY CONFORMS TO FCC RULES AND REGULATIONS PART 68, SUBPART F.
- 3. ALL DIMENSIONS SHOWN ARE MAXIMUM UNLESS OTHERWISE SPECIFIED.
- ⚠ BULK PACKAGED IN A TRAY.



SUGGESTED PANEL CUTOUT
SCALE 2:1



SUGGESTED PRINTED CIRCUIT BOARD LAYOUT
CIRCUIT SIDE

DIM A	HS6 COLOR	PACKAGED	CONTACTS	PART NUMBER
2.41 [0.095]	BLACK	⚠	8	520426-8
3.05 [0.120]	BLACK	⚠	8	520426-7
4.32 [0.170]	DEC GRAY	⚠	8	520426-6
4.32 [0.170]	BLACK	⚠	8	520426-4

SUPERSEDED BY 520426-8

THIS DRAWING IS UNPUBLISHED. RELEASED FOR PUBLICATION BY AMP INCORPORATED. ALL RIGHTS RESERVED.		DWN L MUSTAR/UTA 8-3-92 CRK N JONES 8-18-92 FILED IN LAUDER 8-25-92 PRODUCT SPEC 108-1163 APPLICATION SPEC 114-2048 RETWORK - CUSTOMER DRAWING	AMP Incorporated Harrisburg, PA 17105-3608 AMP PRINTED CIRCUIT BOARD MODULAR JACK ASSEMBLY, SIDE ENTRY, 8 POSITION, FLANGELESS, WITHOUT PANEL STOPS. SIZE: A2100779 CASE CODE: C-520426 QUANTITY NO: 1 SCALE: 4:1 SHEET: 1 OF 1 REV: P
---	--	--	--

AMP 1471-9 REV 0394194
 17-JAN-02 12:16:30 amp36051 /note/amp36051/redmod

520426
B