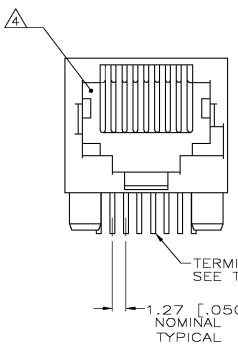
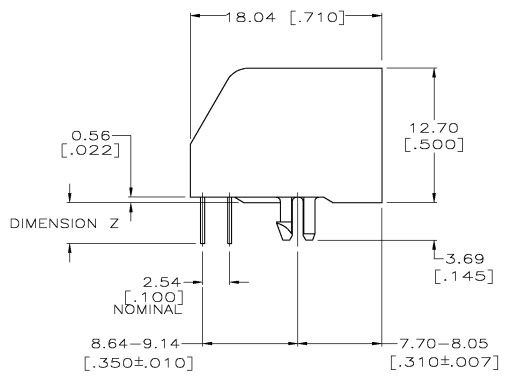
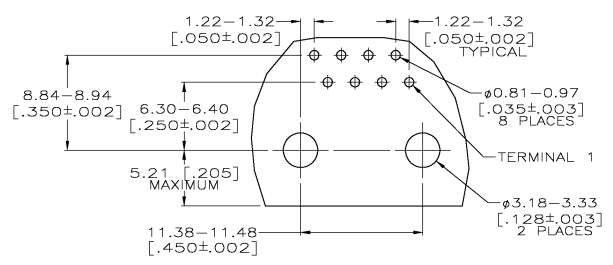
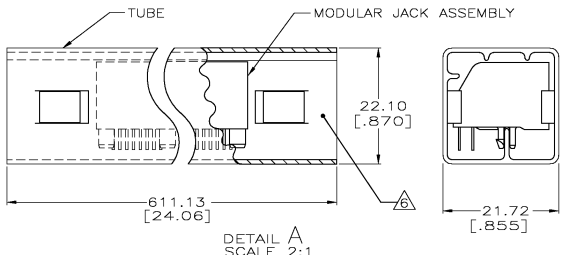
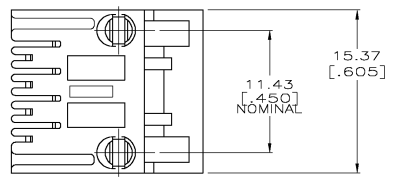


4 3 2 1
 DRAWING MADE IN THIRD ANGLE PROJECTION
 THIS DRAWING IS UNPUBLISHED. RELEASED FOR PUBLICATION .19
 © COPYRIGHT 19 BY AMP INCORPORATED. ALL INTERNATIONAL RIGHTS RESERVED.

LOG	DIST	P	F	ZONE	LTR	DESCRIPTION	DATE	APPD
GP	00			H		REVISED PER EC 0511-0016-04	27JAN04	JB BK



- ⚠ DIMENSIONS ARE MAXIMUM UNLESS OTHERWISE SPECIFIED.
- ⚠ TERMINALS FOR 555167-2 LOCATED IN CENTER POSITIONS.
- ⚠ MATERIAL: HOUSING - PBT POLYESTER, BLACK.
TERMINAL - PHOS-BRONZE PLATED WITH 1.27μm [.000050] THICK HARD GOLD IN LOCALIZED GOLD PLATE AREA AND 2.03μm [.000080] THICK TIN LEAD IN SOLDER AREA OVER 1.27μm [.000050] THICK NICKEL UNDERPLATE.
- ⚠ CAVITY CONFORMS TO FCC RULES AND REGULATIONS PART 68, SUBPART F.
- ⚠ BULK PACKAGED IN A TRAY.
- ⚠ PACKAGED 36 ASSEMBLIES PER TUBE WITH BOTH ENDS CRIMPED. SEE DETAIL A.



SUGGESTED PRINTED CIRCUIT BOARD MOUNTING HOLE LAYOUT
 LAYOUT SHOWN FROM CIRCUIT SIDE OF BOARD

SUPERSEDED BY 555167-1

PACKAGED	TERMINALS	DIMENSION Z	PART NUMBER
8		2.80±0.25 [.110±.010]	555167-4
8		3.81±0.51 [.15±.02]	555167-3
6	⚠	3.81±0.51 [.15±.02]	555167-2
8		3.81±0.51 [.15±.02]	555167-1

DO NOT SCALE PRINT. UNLESS SPECIFIED DIMENSIONS IN mm [INCHES] TOLERANCES ON : 2 PL DEC ± - 3 PL DEC ± - ⚠ ANGLES ± -	DR 11-16-93 S. SIMPSON CHK 11-17-93 C. WHITT APPD 11-22-93 J. TONEY APPD 11-22-93 H. MCCRATH	AMP Incorporated Harrisburg, PA 17105-3608
MATERIAL	PRODUCT SPEC 108-1163	NAME MODULAR JACK ASSEMBLY 8 POSITION, LOW PROFILE, RIGHT ANGLE, KEYED, WITHOUT PANEL STOPS
FINISH	APPLICATION SPEC 114-2048	SIZE CAGE CODE DRAWING NO C 00779 C-555167
WEIGHT		SCALE 4:1 SHEET 1 OF 1

AMP 1471-B REV 3-92
 02-OCT-01 12:24:40

CUSTOMER DRAWING