

4

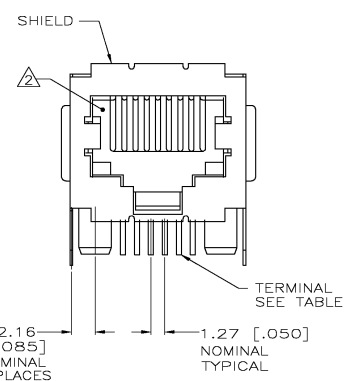
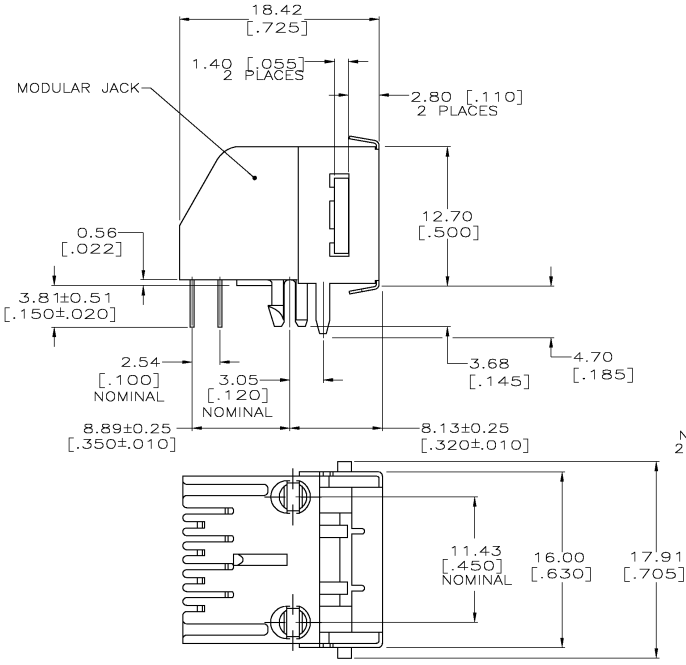
3

2

1

THIS DRAWING IS UNPUBLISHED. RELEASED FOR PUBLICATION.
 © COPYRIGHT BY TYCO ELECTRONICS CORPORATION. ALL RIGHTS RESERVED.

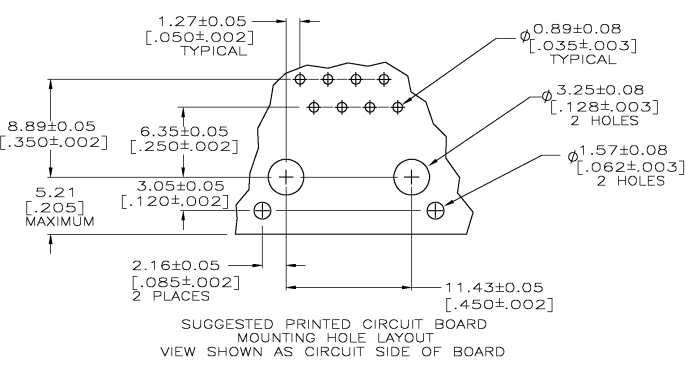
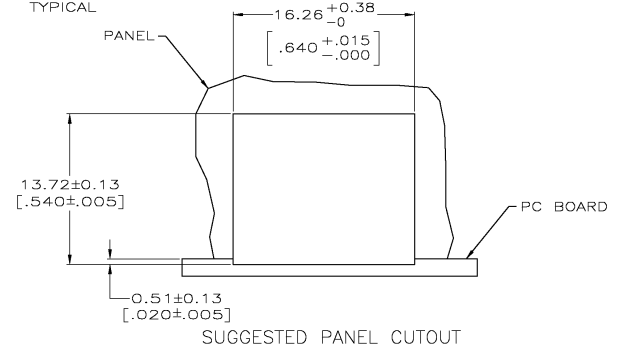
LOC	DIST	REVISIONS			
AA	22	REV	DESCRIPTION	DATE	BY
		G	ADDED: -3 PER EC 0511-0113-03	21JUL2003	DD BK



△ MATERIAL: HOUSING - PER TABLE, BLACK.
 TERMINAL - 0.36 [0.014] THICK PHOS-BRONZE PLATED WITH 1.27µm [0.00050] THICK HARD GOLD IN LOCALIZED GOLD PLATE AREA AND 3.81µm [0.00150] THICK TIN LEAD IN SOLDER AREA OVER 1.27µm [0.00050] THICK NICKEL UNDERPLATE SHIELD - 0.25 [0.010] THICK COPPER ALLOY, TIN-LEAD PLATED.

△ CAVITY CONFORMS TO FCC RULES AND REGULATIONS PART 68, SUBPART F.

3. ALL DIMENSIONS SHOWN ARE MAXIMUM UNLESS OTHERWISE SPECIFIED.



YES	HIGH TEMP NYLON	555141-3
NO	PBT POLYESTER	555141-1
IR PROCESS COMPATIBLE	HOUSING MATERIAL	PART NUMBER

THIS DRAWING IS A CONTROLLED DOCUMENT.		ENR	G. GARRETT	7-10-95
DIMENSIONS: MM [INCHES]		CHK	N. JONES	8-23-95
TOLERANCES UNLESS OTHERWISE SPECIFIED:		APP'D	M. JONLEY	9-1-95
0 PLG	±	PRODUCT SPEC: 108-1163		
1 PLG	±	APPLICATION SPEC: 114-2048		
2 PLG	±	SIZE: CKE CODE DRAWING NO: A2 00779 C=555141		
3 PLG	±	RESTRICTED TO: -		
4 PLG	±	CUSTOMER DRAWING		
ANGLES	±	SCALE: 4:1 SHEET: 1 OF 1 REV: G		
MATERIAL	-	FINISH: -		

AMP 1471-9 REV 31MAR2000
 H:\edmmof\

555141

A